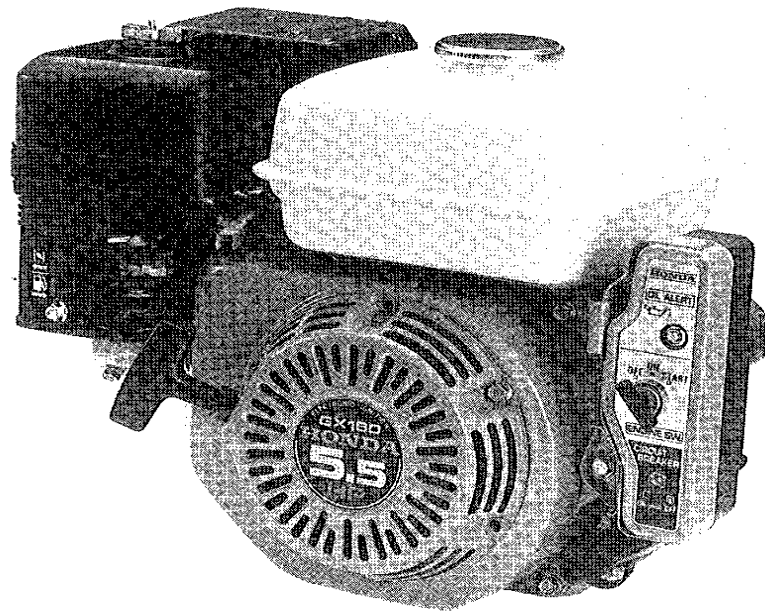


**GENERAL PURPOSE ENGINE**  
**GX160K1**  
**GX160K1 (PROPANE ENGINE)**

**PARTS CATALOGUE**



**GX160K1**

## INDEX

FOREWORD INDEX

1

ENGINE GROUP

2

PART NUMBER INDEX

3

PART NAME INDEX

4

**Instruction for use of parts catalogue**

- **This parts catalogue was prepared based on the latest information available as of July 20, 1999.**
  - See the parts catalogue news for any revision that is made after July 20, 1999.
- **Always specify the part number when ordering a part.**
  - Check the model, type, serial numbers, color, maker and the size as needed before ordering a part.
  - Note that the illustrations (part drawings) can differ from the actual parts in shape. They are given just to help you to refer to the parts.
- **When modifications or additions to the parts catalogue are made, a revised edition will be issued at an appropriate time, with successively progressing a revision number on the cover. We recommend obtaining such revisions in order to keep your parts catalogue up-to-date at all times. To check whether a parts catalogue revision has been issued, please contact your HONDA distributor.**

Initial version issue date January 1, 1991

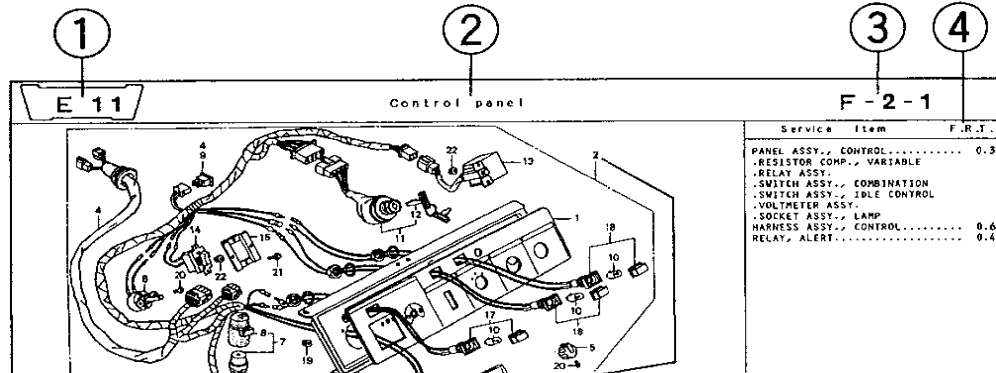
**HONDA MOTOR CO., LTD.**

**CONTENTS**

	Page	Address No.	
● How to refer to the part information .....	2	B 2	<b>1</b>
● Part catalogue structure .....	3	B 3	
● When the parts were revised .....	4	B 4	
● Abbreviations used in the parts catalogue.....	4	B 4	
● How to check the part block and serial numbers .....	5	B 5	
● Models, types and applicable serial numbers .....	6	B 6	
● Features of each type .....	9	B 9	
● Fuel hose, general purpose hoses and vinyl hose .....	15	B 15	
● How to use the flat rate time (F.R.T.).....	16	B 16	
● Illustrated index .....	18	C 2	
● Engine group.....	24	D 1	<b>2</b>
● Part No. index.....	176	N 1	<b>3</b>
● Part name index.....	181	2-C 1	<b>4</b>



Part catalogue structure



Ref. No.	Part No.	Description	Reqd. QTY EX ES 5530 4300 K2 K2	Serial No.	Type
1	31406-ZA0-870	MARK, CONTROL PANEL.....	1	-----	R,S,U
2	31410-ZA0-D81ZA	PANEL ASSY., CONTROL *NH105*...MAT BLACK (#15-#20)	1	-----	R,S,U
3	31411-ZA0-801ZA	PANEL COMP., CONTROL *NH105*...MAT BLACK (#15-#20)	1	-----	R,S,U
4	31418-ZA0-D81	HARNESS ASSY., CONTROL (EX-R,S,U)	1	-----	R,S,U
5	31461-898-000	KNOB, ADJUSTING.....	1	-----	R,S,U
6	31465-ZB4-013	RESISTOR COMP., VARIABLE.....	1	-----	R,S,U
7	31660-ZA0-801	RELAY ASSY.....	1	-----	R,S,U
8	31661-ZA0-801	SUSPENSION.....	1	-----	R,S,U
9	31710-893-003	STACK ASSY., DIODE (2.7A).....	1	-----	R,S,U
10	34908-GE0-701	BULB, WEDGE BASE (12V 2W).....	3	-----	R,S,U

① Address number

- Address number is provided (in place of the page No.) to help you refer to the part with the part No. or part name.

② Block title

③ Block number

④ Service item/Flat rate time

⑤ Reference number

- Title number marked with the parenthesis or parentheses indicates that it continues from the previous page.

⑥ Part number

⑦ HONDA color code

⑧ Description

⑨ Assemblies

- Sections framed with broken lines in the exploded view drawings are available as complete assemblies. (Their individual parts can also be obtained.)

⑩ Color description

⑪ Note

- Notes are shown with the parentheses in the part name column.

⑫ Required quantity

- Required QTY shown in the parenthesis or parentheses indicates the optional part.
- Required QTY marked with "N" indicates the optional part that should be selected as needed.
- Required QTY indicates the number of the part used in the block.

⑬ Serial number

⑭ Type

- When the type column is blank, it indicates that the part is applicable to all types.
- As the type of the actual unit may differ from the "Parts catalogue, type" please refer to "Models, types and applicable serial numbers" for confirmation.

**When the parts were revised**



Be sure to check the serial number!!



Ref. No.	Part No.	Description	Revd. QTY		Serial No.
			EX K2	ES K2	
1	11815-ZA0-930	STAY, TIMING BELT.....	1	1	
2	16011-ZA0-931	VALVE SET, FLOAT.....	1	1	
3	16013-ZA0-931	FLOAT SET.....	1	1	
4	16016-ZA0-931	SCREW SET, PILOT.....	1	1	
	16016-ZEQ-005	.....	1	1	
5	16023-ZA0-702	CHAMBER SET, FLOAT.....	1	1	
6	16024-124-760	SCREW SET, DRAIN.....	1	1	
7	16028-ZA0-981	SCREW SET.....	1	1	

The number has been used from the initial model without revision.

When shown at the left side, it is applicable to the models of No.1002495 and the subsequent numbers.

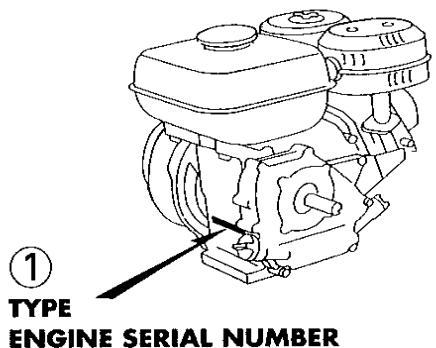
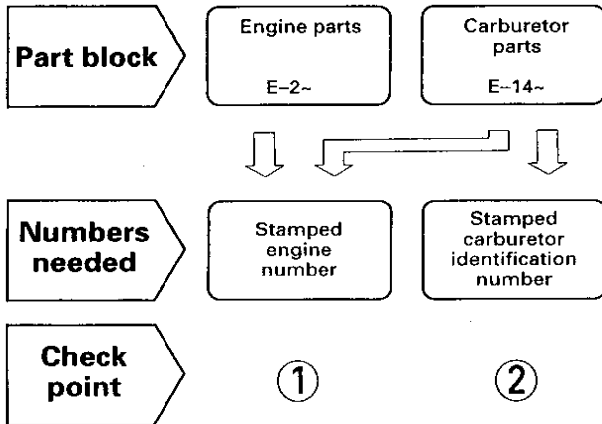
When shown at the right side, it is applicable to the models up to No.1002494.

**Abbreviations used in the parts catalogue**

• The following abbreviations are used in the parts name column.

- |                                |  |
|--------------------------------|--|
| ASSY. ....Assembly             | A.C. ....Alternating current             |
| COMP. ....Complete             | D.C. ....Direct current                  |
| R. ....Right                   | IN. ....Inlet                            |
| L. ....Left                    | EX. ....Exhaust                          |
| STD. ....Standard              | FR. ....Front                            |
| MM.....Millimeter              | RR. ....Rear                             |
| T(22T).....Tooth (22 Teeth)    | HEX. ....Hexagonal                       |
| A .....Ampere                  | P.T.O. ....Power take off                |
| V .....Volt                    | C.D.I. ....Capacitive discharge ignition |
| W.....Watt                     | H.S.T. ....Hydrostatic transmission      |
| L (100L) .....Link (100 Links) |  |

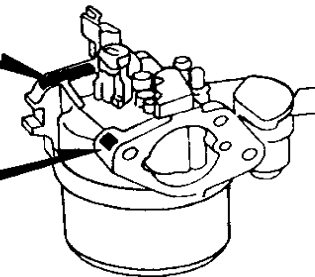
**How to check the part block and serial numbers**



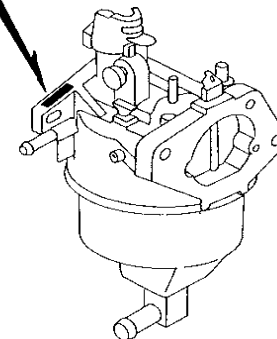
DZH8-A

②-B  
**CARBURETOR IDENTIFICATION NUMBER  
GX160K1 (1) (2) (3)**

②-A  
**CARBURETOR IDENTIFICATION NUMBER  
GX160K1 (1) (2) (3)**



②  
**CARBURETOR IDENTIFICATION NUMBER  
GX160K1 (4)**



**Models, types and applicable serial numbers**

● Models, types and applicable serial Nos. given in this parts catalogue can be identified as follows.

Model	Type	Parts Catalogue type	Applicable engine serial No.	Applicable carburetor identification serial No.
GX160K1 (1)	ARC6	ARC6	GC02-2000001~	BE67A [B]
	EN	EN	GC02-2000001~*	BE06J [A]/[B]/[C]
	ET	ET		
	ETX	ETX	GC02-2000001~	BE06J [B]/[C]
	HH	HH		BE06J [B]/[C]
	HHQ4	HHQ4		BE65B [A]/[B]
	HH26	HH26		BE06J [A]/[B]/[C]
	HX	HX		BE06J [B]/[C]
	HXE	HXE		BE06J [C]
	HXE8	HXE8		BE65B [A]/[B]
	HXU	HXU		BE06J [B]/[C]
	HX26	HX26		BE06J [A]/[B]/[C]
	HX4	HX4		BE06J [B]/[C]
	KTA	KTA	GC02-2000001~*	BE06J [A]/[B]/[C]
	LAX	LAX	GC02-2000001~	BE06H [A]/[B]/[C]
	LD	LD		BE06H [B]/[C]
	LDB1	LDB1		BE06H [C]
	LDB3	LDB3		BE06H [B]/[C]
	LDM	LDM		BE06J [A]/[B]/[C]
	LD4	LD4		BE06J [B]/[C]
	LH	LH		BE06J [B]/[C]
	LHB3	LHB3		BE06J [C]
	LHQ4	LHQ4		BE06H [C]
	LHW	LHW		BE06H [C]
	LSJ4	LSJ4	GC02-2000001~*	BE06H [A]/[B]/[C]
	LSS4	LSS4	GC02-2000001~	BE06J [A]/[B]/[C]
	LTA	LTA		BE06J [C]
	LWZ	LWZ		BE06H [A]/[B]/[C]
	LX	LX		BE06J [A]/[B]/[C]
	LXU	LXU		BE06J [C]
	LX26	LX26		BE65B [A]/[B]
	LX4	LX4		BE06J [B]/[C]
	NW	NW		BE06J [C]
	PH	PH		BE06J [A]/[B]/[C]
	PHM	PHM		BE06J [C]
	PHU	PHU	GC02-2000001~*	BE06U [A]/[B]
	PM	PM	GC02-2000001~*	BE06H [A]/[B]/[C]

Model	Type	Parts Catalogue type	Applicable engine serial No.	Applicable carburetor identification serial No.		
GX160K1 (1)	PMZ	PMZ	GC02-2000001~	BE06H [A]/[B]/[C]		
	PX	PX		BE06J [A]/[B]/[C]		
	FXU	FXU		BE06J [C]		
	QA	QA		BE06J [A]/[B]/[C]		
	QAB1	QAB1		GC02-2000001~*	BE06J [B]/[C]	
	QAB3	QAB3			BE65C [A]/[B]	
	QA26	QA26			BE65B [A]/[B]	
	QBT6	QBT6			GC02-2000001~*	BE06H [A]/[B]/[C]
	QBU2	QBU2				BE06H [C]
	QD	QD				BE06J [A]/[B]/[C]
	QE	QE	BE06H [C]			
	QFE4	QFE4	GC02-2000001~	BE06J [A]/[B]/[C]		
	QH	QH		BE06J [C]		
	QHE	QHE		BE06J [B]/[C]		
	QHP1	QHP1		BE65B [A]/[B]		
	QHQ4	QHQ4		BE06J [B]/[C]		
	QH26	QH26		BE06J [B]/[C]		
	QKA4	QKA4		BE06H [A]/[B]/[C]		
	QM	QM		BE06H [B]/[C]		
	QMC6	QMC6		GC02-2000001~*	BE06J [B]/[C]	
	QMC8	QMC8			BE06J [C]	
	QMD6	QMD6	BE06J [A]/[B]/[C]			
	QME4	QME4	BE65B [A]/[B]			
	QMH	QMH	BE11C [B]			
	QNT	QNT	BE06H [B]/[C]			
	QNT2	QNT2	GC02-2000001~*		BE06J [B]/[C]	
	QNT4	QNT4			BE06J [A]/[B]/[C]	
	QNZ	QNZ	GC02-2000001~		BE06H [B]/[C]	
	QP	QP			BE06J [B]/[C]	
	QPU	QPU		BE06J [A]/[B]/[C]		
	QT	QT		BE65B [B]		
	QWA4	QWA4		GC02-2000001~*	BE06J [A]/[B]/[C]	
	QX	QX			BE06J [A]/[B]/[C]	
	QXB	QXB		GC02-2000001~	BE06J [B]/[C]	
	QXB1	QXB1			BE65G [A]/[B]	
	QXC6	QXC6			BE06J [A]/[B]/[C]	
	QXE	QXE			BE06J [B]/[C]	
	QXE4	QXE4	BE65B [A]/[B]			
	QXE6	QXE6	BE06J [C]			
	QXE8	QXE8	BE06J [A]/[B]/[C]			
QXU	QXU	BE06J [C]				
QXW	QXW	GC02-2000001~	BE06J [A]/[B]/[C]			
QXW2	QXW2		BE65B [A]/[B]			
QX26	QX26					



Model	Type	Parts Catalogue type	Applicable engine serial No.	Applicable carburetor identification serial No.	
GX160K1 (1)	QX4	QX4	GC02-2000001~	BE06J [B]/[C]	
	QZ	QZ	GC02-2000001~*	BE06S [A]/[B]	
	RAC	RAC	GC02-2000001~	BE06J [A]/[B]/[C]	
	RD	RD		BE06H [A]/[B]/[C]	
	RD4	RD4		BE06H [B]/[C]	
	REX4	REX4		BE06J [C]	
	RH	RH		BE06J [A]/[B]/[C]	
	RHQ4	RHQ4		BE06J [B]/[C]	
	RH26	RH26		BE65B [A]/[B]	
	RMB4	RMB4			
	RSK	RSK		BE06J [A]/[B]/[C]	
	RX	RX			
	RXE	RXE			
	RXE4	RXE4			
	RXU	RXU		BE06J [C]	
	RX4	RX4		BE06J [B]/[C]	
	SAC	SAC		GC02-2000001~*	BE06J [A]/[B]/[C]
	SAD2	SAD2	GC02-2000001~	BE65B [A]/[B]	
	SD	SD		BE06H [A]/[B]/[C]	
	SDB1	SDB1		BE06H [B]/[C]	
	SDB3	SDB3			
	SDN	SDN		BE06J [C]	
	SDS	SDS		BE06H [A]/[B]/[C]	
	SDS2	SDS2		BE06J [B]/[C]	
	SDS3	SDS3			
	SD16	SD16		GC02-2000001~	BE06H [B]/[C]/BE66E [B]
	SD4	SD4		BE06H [B]/[C]	
	SE	SE			
	SEE	SEE		BE06H [A]/[B]/[C]	
	SH	SH		BE06J [A]/[B]/[C]	
	SHM	SHM			
	SHQ4	SHQ4		BE06J [C]	
	SHR4	SHR4	BE06J [B]/[C]		
	SMB4	SMB4	GC02-2000001~*	BE06J [B]/[C]	
	SMC7	SMC7			
	SMC9	SMC9	GC02-2000001~	BE06J [C]	
	SM14	SM14			
	STA	STA	GC02-2000001~*	BE06J [A]/[B]/[C]	
	SWG4	SWG4	GC02-2000001~	BE06J [B]/[C]	
	SWX	SWX	GC02-2000001~*	BE06H [A]/[B]/[C]	
SWZ	SWZ				
SX	SX	GC02-2000001~	BE06J [A]/[B]/[C]		
SXB	SXB				
SXE	SXE				

Model	Type	Parts Catalogue type	Applicable engine serial No.	Applicable carburetor identification serial No.	
GX160K1 (1)	SXE4	SXE4	GC02-2000001~	BE06J [B]/[C]	
	SXS4	SXS4		BE65B [B]	
	SXU	SXU		BE06J [C]	
	SX4	SX4		BE06J [B]/[C]	
	TH	TH		BE06J [A]/[B]/[C]	
	THU	THU		BE06U [A]/[B]	
	TX	TX		BE06J [A]/[B]/[C]	
	TXU	TXU		BE06J [C]	
	TX26	TX26		BE65B [A]/[B]	
	TX4	TX4		BE06J [B]/[C]	
	UH	UH		BE06J [A]/[B]/[C]	
	UX	UX			
	UXU	UXU		BE06J [C]	
	VA	VA		GC02-2000001~*	BE06J [A]/[B]/[C]
	VEBM	VEBM		GC02-2000001~	BE06H [A]/[B]/[C]
	VED	VED	BE06J [A]/[B]/[C]		
	VED1	VED1			
	VED2	VED2	BE51A [A]/BE67A [A]/[B]		
	VED3	VED3	BE51A [A]/[B]		
	VGE4	VGE4	BE06J [B]/[C]		
	VH	VH	BE06J [A]/[B]/[C]		
	VHH4	VHH4	GC02-2000001~*		BE06J [B]/[C]
	VHQ4	VHQ4			
	VMB3	VMB3	GC02-2000001~		GC02-2000001~
	VMS4	VMS4	GC02-6100001~		
	VMT	VMT		BE51A [B]	
	VPM4	VPM4	BE67A [B]		
	VPR4	VPR4			
	VS	VS	BE06J [A]/[B]/[C]		
	VS1	VS1	BE51A [B]		
	VSB1	VSB1	BE06J [A]/[B]/[C]		
	VSD	VSD	BE06J [A]/[B]/[C]		
	VSD1	VSD1	BE51A [A]/[B]		
	VSW	VSW			
	VSX	VSX	BE06J [A]/[B]/[C]		
	VSX1	VSX1			
	VSX3	VSX3	GC02-6100001~	BE06J [C]	
	VS1	VS1	GC02-2000001~*	BE06J [A]/[B]/[C]	
	VS3	VS3	GC02-2000001~	BE51A [A]/[B]	
	VS4	VS4			
VTD	VTD				
VTD1	VTD1				
VTE2	VTE2	GC02-2000001~*	BE67A [B]		
VTU1	VTU1	GC02-2000001~	BE06J [C]		
VTX	VTX		BE51A [B]		

Model	Type	Parts Catalogue type	Applicable engine serial No.	Applicable carburetor identification serial No.
GX160K1 (1)	VTX1	VTX1	GC02-2000001~	BE51A <u>B</u>
	VX	VX	GC02-2000001~*	BE06J <u>A</u> / <u>B</u> / <u>C</u>
	VXE	VXE		BE06J <u>B</u> / <u>C</u>
	VXE4	VXE4		BE65B <u>B</u>
	VXE6	VXE6		BE06J <u>B</u> / <u>C</u>
	VXG	VXG		BE06J <u>C</u>
	VXM	VXM		BE06J <u>B</u> / <u>C</u>
	VXU	VXU		BE06J <u>C</u>
	VXU1	VXU1		BE65B <u>A</u> / <u>B</u>
	VX26	VX26		BE06J <u>B</u> / <u>C</u>
	VX4	VX4		BE65C <u>B</u>
	WKT4	WKT4		BE06H <u>B</u> / <u>C</u>
	WMB0	WMB0		BE06H <u>C</u>
	WME4	WME4		
GX160K1 (2)	H1	H1		GC02-2000001~*
	L1	L1	GC02-2000001~	BE06H <u>A</u> / <u>B</u> / <u>C</u> / BE11C <u>A</u> / <u>B</u>
	Q1	Q1		BE06J <u>A</u> / <u>B</u> / <u>C</u>
	R1	R1		
	S1	S1		
	T1	T1	GC02-2000001~*	BE06H <u>A</u> / <u>B</u> / BE11C <u>A</u> / BE06J <u>A</u> / <u>B</u>
	U1	U1		BE06H <u>A</u> / <u>B</u> / <u>C</u> / BE11C <u>A</u> / <u>B</u>
	V1	V1	GC02-2000001~	BE06J <u>A</u> / <u>B</u> / <u>C</u>
W1	W1	GC02-2000001~	BE06J <u>A</u> / <u>B</u> / <u>C</u>	
GX160K1 (3) (Indonesia- KD)	BIH	BIH	GC02-9000001~	BE06J <u>B</u> / <u>C</u>
	LVSH	LVSH	GC02-9100001~	
	QIH1	QIH1		BE06J <u>C</u>
	QVSH	QVSH		
	SIH	SIH	GC02-9000001~	BE06J <u>B</u> / <u>C</u>
	UIH	UIH	GC02-9100001~	
	VIH	VIH		BE06J <u>C</u>
	VIH1	VIH1		
VVSH	VVSH			
GX160K1 (4) (Propane)	VSDP	VSDP	GDAA-2000001~	BELOA <u>A</u>
	VXP	VXP		

\* Of carburetor identification numbers, only the portions underlined in the example below are used for registration.

GX160K1 (1) (2) (3) BE 06J A KC ア  
Ⓐ Ⓑ

GX160K1 (4) BELOA A KC ア



# B 10

1

Specifications		Model	GX160K1																																				
		Type	Standard equipment (1)																																				
		Type	PM	PMZ	PX	PXU	QA	QAB1	QAB3	QA26	QBT6	QBU2	QD	QE	QFE4	QH	QHE	QHP1	QH04	QH26	OXA4	OM	OMC6	OMC8	OMD6	OME4	QMH	QNT	QNT2	QNT4	QNZ	QP	QPU	QT	QWA4	QX	QXB	QXB	
Crankshaft	20 mm Ø Straight																																						
	3/4" Ø Straight																																						
	20 mm Ø Spline																																						
	21 mm Ø Spline																																						
	23 mm Ø Spline																																						
	24 mm Ø Spline																																						
	M18 Stepped thread																																						
	1/2" Stepped thread																																						
	3/4" Thread	•	•	•	•																																		
	5/8" Thread																																						
	3/4" Ø Tapered																																						
	1/5" Ø Tapered																																						
	19 mm Ø Straight					•	•	•	•	•	•	•	•	•	•	•	•	•	•	•	•	•	•	•	•	•	•	•	•	•	•	•	•	•	•	•	•	•	•
	M16 Stepped Thread																																						
Camshaft	With P.T.O.	•	•	•	•	•	•	•	•	•	•	•	•	•	•	•	•	•	•	•	•	•	•	•	•	•	•	•	•	•	•	•	•	•	•	•	•	•	
	Without P.T.O.	•	•	•	•																																		
Oil alert																																							
Starter motor																																							
Reduction	(1)																																						
	(2)																																						
	(3)																																						
	(4)																																						
Coil	Lamp coil (12V-15W)																																						
	Lamp coil (12V-25W)																																						
	Lamp coil (6V-15W)																																						
	Lamp coil (6V-25W)																																						
	Lamp coil (12V-50W)																																						
	Lamp & Charge coil																																						
Charge coil																																							
Air cleaner	(1)																																						
	(2)	•	•																																				
	(3)																																						
	(4)																																						
	(5)																																						
	(6)																																						
	(7)																																						
Muffler	Standard	Upper protector	•	•	•	•	•	•	•	•	•	•	•	•	•	•	•	•	•	•	•	•	•	•	•	•	•	•	•	•	•	•	•	•	•	•	•		
		Upper and lower protector																																					
	Silent																																						
Spark plug	Standard																																						
	BP6ES NGK																																						
	BPR6ES NGK																																						
	W16EP-U DENSO																																						
	W16EPR-U DENSO																																						
	BP6ES NGK	•	•																																				
	BPR6ES NGK																																						
W20EP-U DENSO	•	•																																					
W20EPR-U DENSO																																							



Specifications		Model		GX160K1																																							
		Type		Standard equipment (1)																																							
		SE	SEE	SH	SHM	SH04	SHR4	SMB4	SMC7	SMC9	SM14	STA	SWG4	SWX	SWZ	SX	SXB	SXE	SXE4	SXS4	SXU	SX4	TH	THU	TX	TXU	TX26	TX4	UH	UX	UXU	VA	VEBM	VED	VED1	VED2	VED3						
Crankshaft	20 mm Ø Straight	•	•	•	•	•	•	•	•	•	•	•	•	•	•	•	•	•	•	•	•	•	•	•	•	•	•	•	•	•	•	•	•	•	•	•	•	•	•				
	3/4" Ø Straight																																										
	20 mm Ø Spline																																										
	21 mm Ø Spline																																										
	23 mm Ø Spline																																										
	24 mm Ø Spline																																										
	M18 Stepped thread																																										
	1/2" Stepped thread																																										
	3/4" Thread																																										
	5/8" Thread																																										
	3/4" Ø Tapered																																										
	1/5" Ø Tapered																																										
	19 mm Ø Straight																																										
	M16 Stepped Thread																																										
Camshaft	With P.T.O.	•	•	•	•	•	•	•	•	•	•	•	•	•	•	•	•	•	•	•	•	•	•	•	•	•	•	•	•	•	•	•	•	•	•	•	•	•	•	•			
	Without P.T.O.																																										
Oil alert																																											
Starter motor			•																																								
Reduction	(1)																																										
	(2)																																										
	(3)																																										
	(4)																																										
Coil	Lamp coil (12V-15W)																																										
	Lamp coil (12V-25W)																																										
	Lamp coil (6V-15W)																																										
	Lamp coil (6V-25W)																																										
	Lamp coil (12V-50W)																																										
	Lamp & Charge coil																																										
Charge coil																																											
Air cleaner	(1)	•	•	•	•	•	•	•	•	•	•	•	•	•	•	•	•	•	•	•	•	•	•	•	•	•	•	•	•	•	•	•	•	•	•	•	•	•	•				
	(2)																																										
	(3)																																										
	(4)																																										
	(5)																																										
	(6)																																										
	(7)																																										
Muffler	Standard	Upper protector	•	•		•	•				•	•	•	•	•	•	•	•	•	•	•	•	•	•	•	•	•	•	•	•	•	•	•	•	•	•	•	•	•				
		Upper and lower protector																																									
	Silent	•																																									
	Standard																																										
Spark plug	BP5ES NGK																																										
	BPR5ES NGK																																										
	W16EP-U DENSO																																										
	W16EPR-U DENSO																																										
	BP6ES NGK																																										
	BPR6ES NGK																																										
	W20EP-U DENSO																																										
W20EPR-U DENSO																																											







**Fuel hose, general purpose hoses and vinyl hose**

- The standard part fuel hose, general purpose hose and vinyl hose may be substituted by the coiled bulk part.
- When ordering the standard part fuel hose, general purpose hose and vinyl hose use the bulk part number written in the parts catalog in brackets ( ) underneath the part name.
- When exchanging the hose, cut and use at the specified length as mentioned in the part name.  
(For the method of cutting the bulk part, and method of filling out orders etc., please refer to the instructions issued with the bulk part.)

**Bulk part number of fuel hose, general purpose hose and vinyl hose.**

Example: 9 5 0 0 1 — 7 5 0 0 1 — 5 0 M

Bulk part number : Refers to the bulk part.

Marking code (hose type) : (fuel hose and general purpose hose)

Change code (for added hose) : (Vinyl hose)

- Indicates number mark or change sequence, however, the code for the bulk part must be strictly 0 (zero).

Types of code :

- Fuel hose
  - 5 : Black inside braid
  - 2 : Red outside braid (3 mm inside dia. only)
  - 6 : Black
  - 3 : Red (3 mm inside dia. only)
  - 4 : Ash gray with red stripe (3 mm inside dia. only)
- General hose
  - 1 : Ash gray
  - 2 : Ash gray
  - 3 : Black
  - 5 : Black
- Vinyl hose
  - 1 : Clear
  - 2 : Black
  - 3 : Light red
  - 7 : Pale black
  - 6 : Light red

Lengths : 001 : 1 m (standard)

003 : 3 m

008 : 8 m

Application or specification of some parts is not settled.

I.D code : (fuel hose and general purpose hose)

- 30 : 3.0 mm
- 35 : 3.5 mm
- 45 : 4.5 mm
- 50 : 5.0 mm
- 55 : 5.3 mm, 5.5 mm
- 65 : 6.5 mm
- 70 : 7.0 mm
- 75 : 7.3 mm, 7.5 mm
- 80 : 8.0 mm
- 11 : 11 mm
- 91 : 12 (outside dia. 15) mm
- 92 : 12 (outside dia. 16) mm
- 12 : 12 (outside dia. 17) mm
- 14 : 14 mm
- 17 : 17 mm

ID./OD. code : (vinyl hose)

- 01 : ID. 2.9, OD. 6.8 mm
- 03 : ID. 3.0, OD. 6.0 mm
- 05 : ID. 3.5, OD. 6.5 mm
- 07 : ID. 4.0, OD. 7.0 mm
- 08 : ID. 4.5, OD. 6.5 mm
- 09 : ID. 4.5, OD. 8.0 mm
- 12 : ID. 5.0, OD. 7.0 mm
- 10 : ID. 5.0, OD. 8.0 mm
- 11 : ID. 5.0, OD. 9.0 mm
- 14 : ID. 6.0, OD. 9.0 mm
- 17 : ID. 7.0, OD. 9.0 mm
- 19 : ID. 7.0, OD. 11.0 mm
- 21 : ID. 8.0, OD. 9.0 mm
- 23 : ID. 8.0, OD. 12.0 mm
- 25 : ID. 9.0, OD. 11.0 mm
- 27 : ID. 9.0, OD. 13.0 mm
- 33 : ID. 10.0, OD. 14.0 mm
- 36 : ID. 11.0, OD. 13.0 mm
- 37 : ID. 11.0, OD. 15.0 mm
- 38 : ID. 12.0, OD. 13.0 mm
- 39 : ID. 12.0, OD. 14.0 mm
- 40 : ID. 12.0, OD. 16.0 mm
- 43 : ID. 13.0, OD. 15.0 mm
- 45 : ID. 14.0, OD. 18.0 mm
- 50 : ID. 16.0, OD. 19.0 mm
- 55 : ID. 17.5, OD. 20.5 mm
- 60 : ID. 22.0, OD. 27.0 mm

- Hose type : 1 : Fuel hose
- 5 : General hose
- 3 : Vinyl hose

**CAUTION:** It is **DANGEROUS** to confuse the fuel hose with the general purpose hose or vinyl hose. Never use a general purpose hose or vinyl hose in place of a fuel hose or vice versa. Always use the correct bulk part in the parts catalogue, according to the service manual or the instructions issued with the bulk part.

**How to use the flat rate time (F.R.T.)**

This F.R.T. (Flat Rate Time) is used to determine the standard labor time allowed for replacement of parts covered by the warranty during the period the warranty is in effect. The F.R.T. for those parts which are not listed herein should be determined from the operation closely related to the replacement of that part.

**1. The F.R.T. is based on the following servicing conditions**

- a. A liberal allowance is added to the net servicing time.
- b. Standard times specified are based on the condition that the necessary servicing tools listed in the service manual which describes the HONDA service policy are available close at hand and the work performed by a mechanic with normal skill.
- c. Time required for inspection and operational test following the servicing is included in the F.R.T.
- d. The F.R.T. for "●" marked parts are same as the F.R.T. for the representative part above.
- e. The F.R.T. shown with (\*) includes engine removal and installation.

**2. Method of computing**

The job times are listed in tenth of an hour to simplify computation.

(Example) 0.3 = 18 minutes

5.6 = 5 hours and 36 minutes

CONVERSION CHART			
Hours	Minutes	Hours	Minutes
0.1	6	0.6	36
0.2	12	0.7	42
0.3	18	0.8	48
0.4	24	0.9	54
0.5	30	1.0	60

# C 1

### 3. Computing the F.R.T.

When several jobs are performed at the same time, make the calculation in the following manner.

Parts and their F.R.T. described below are the sample and have no relation to the text.

#### a. Jobs of non duplicated nature

The F.R.T. for the job is obtained by totalling the F.R.T. for each part replaced.

(Example) Replacement of cylinder head gasket and fly-wheel carburetor.

Service item	F.R.T.
CYLINDER HEAD GASKET	0.1
FLYWHEEL CARBURETOR	0.3

The F.R.T. for the job is :  $0.1 + 0.3 = 0.4$

#### b. Jobs of duplicated nature

Take the F.R.T. for the last part to be replaced.

(Example) Replacement of piston and cylinder head gasket.

Service item	F.R.T.
CYLINDER HEAD GASKET	0.1
PISTON	1.5

The F.R.T. for the job is : 1.5

#### c. Jobs of partially related nature

Total up the F.R.T. for all of the parts replaced and then subtract the F.R.T. for the duplicated operation.

(Example) Replacement of valve, piston and cylinder head.

Service item	F.R.T.
VALVE	0.5
PISTON	1.5
CYLINDER HEAD	0.1

The F.R.T. for the job is :  $(0.5 + 1.5) - 0.1 = 1.9$

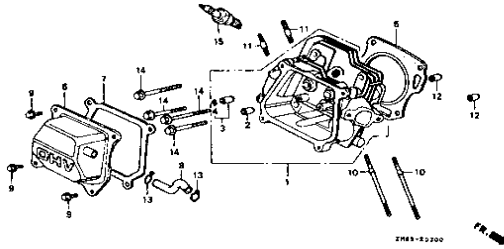
Cylinder head is the duplicated operations.

### 4. Adjustment and cleaning

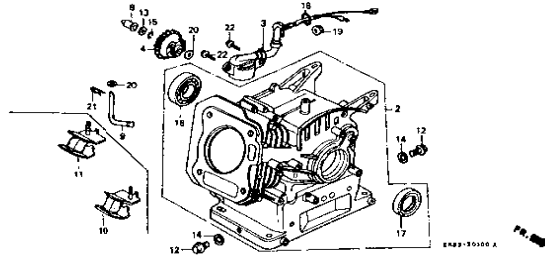
Item	Service item	F.R.T.
Adjustment	Tappets	0.3
	Carburetor	0.2
	Governor	0.2
Cleaning	Carburetor	0.6
	Air cleaner	0.2
	Arrester spark	0.2
	Spark plug	0.1

\*Ref.No.on the index illustration may be different from that in the text.

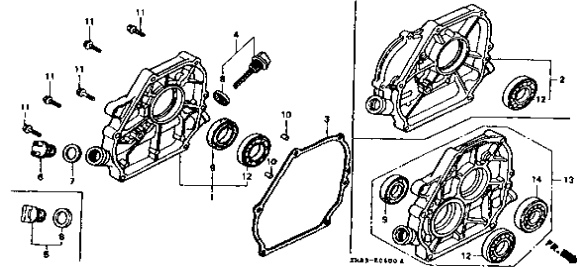
D 1 Cylinder head  
E-2



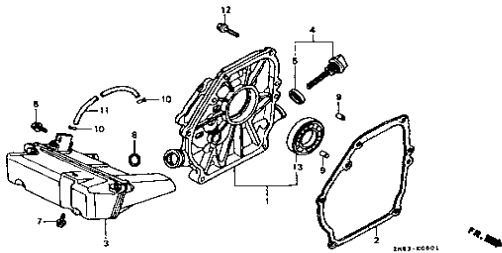
D 7 Cylinder barrel  
E-3



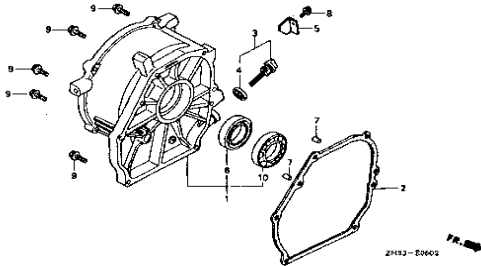
D 13 Crankcase cover (1)  
E-6



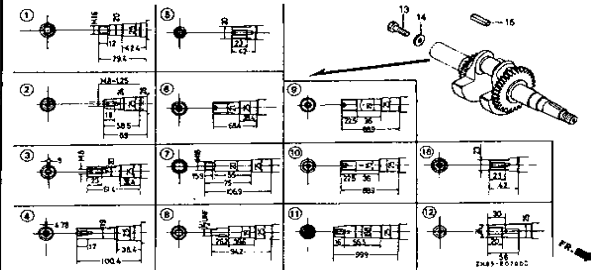
E 2 Crankcase cover (2)  
E-6-1



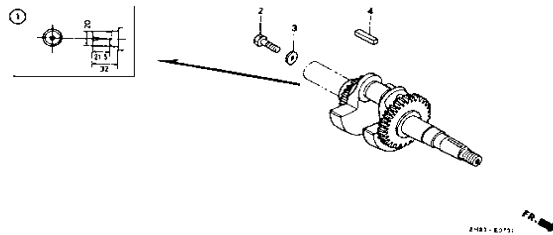
E 3 Crankcase cover (3)  
E-6-2



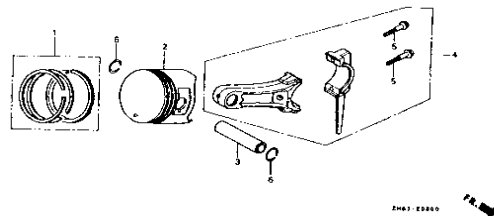
E 4 Crankshaft (1)  
E-7



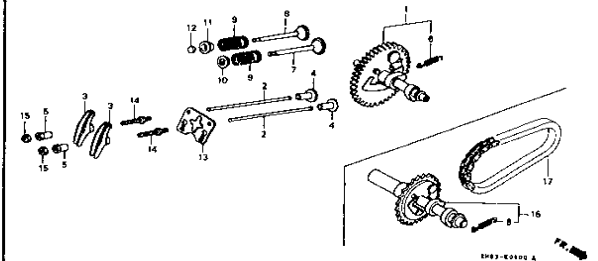
E 6 Crankshaft (2)  
E-7-1



E 7 Piston  
E-8

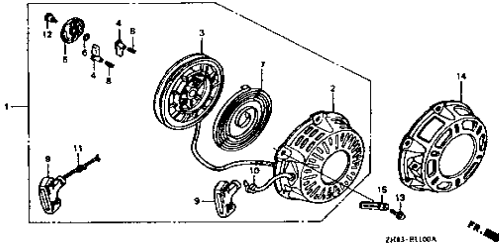


F 1 Camshaft  
E-9

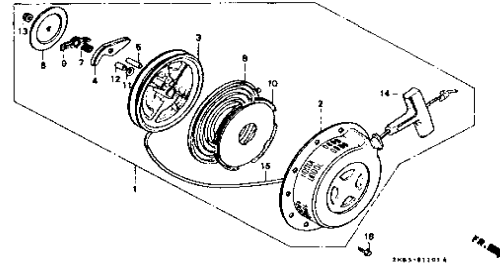


\*Ref.No.on the index illustration may be different from that in the text.

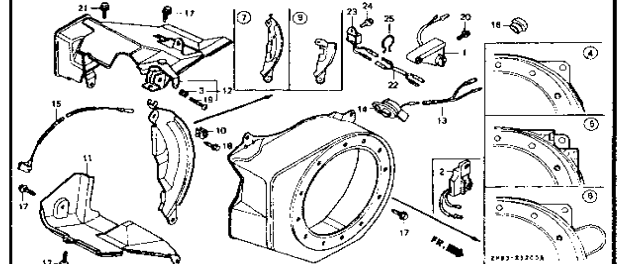
**F 4** Recoil starter (1)  
E-11



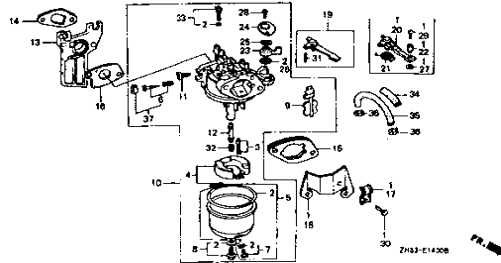
**F11** Recoil starter (2)  
E-11-1



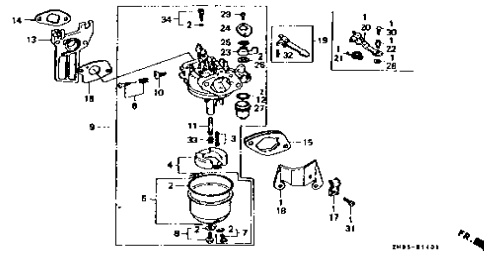
**F13** Fan cover  
E-12



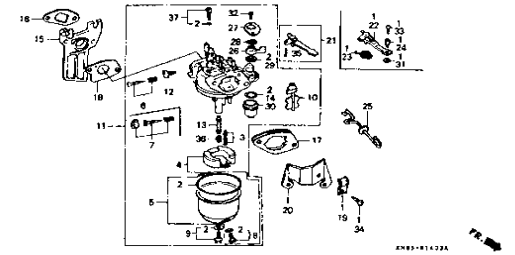
**G 3** Carburetor (1)  
E-14



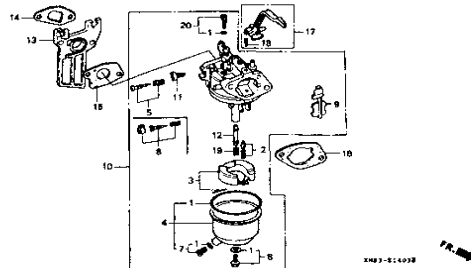
**G 7** Carburetor (2)  
E-14-1



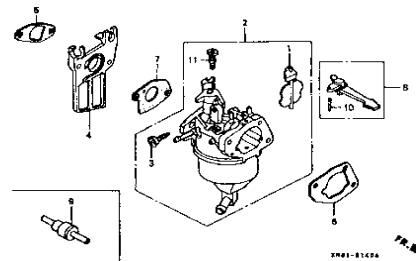
**G 9** Carburetor (3)  
E-14-2



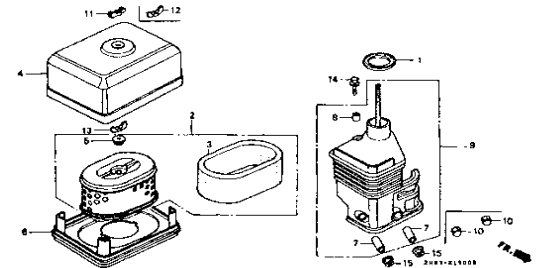
**H 7** Carburetor (4)  
E-14-3



**H 9** Carburetor (5)  
E-14-4



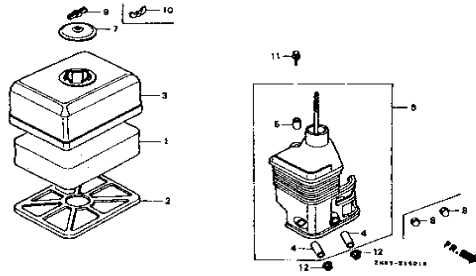
**H10** Air cleaner (1)  
E-15



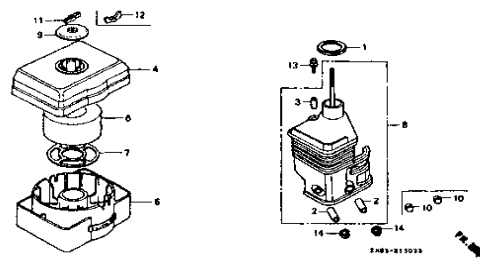
**2**

-Ref.No.on the index illustration may be different from that in the text.

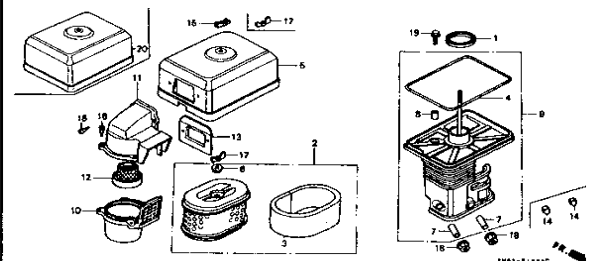
H15 Air cleaner (2)  
E-15-1



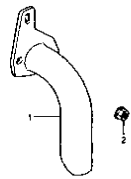
I 1 Air cleaner (3)  
E-15-2



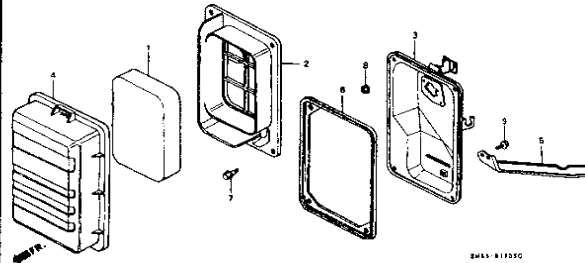
I 3 Air cleaner (4)  
E-15-3



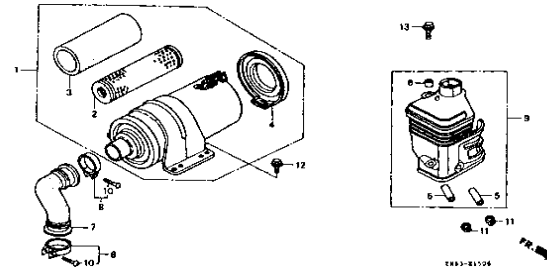
I 4 Air cleaner (5)  
E-15-4



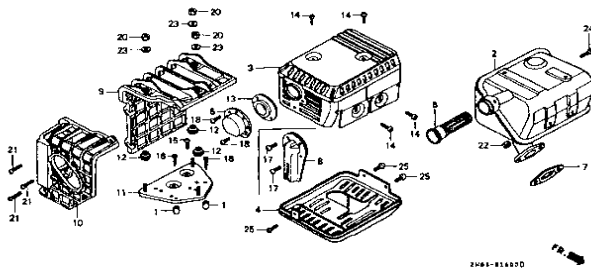
I 5 Air cleaner (6)  
E-15-5



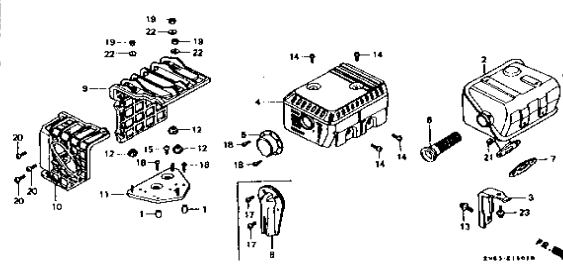
I 6 Air cleaner (7)  
E-15-6



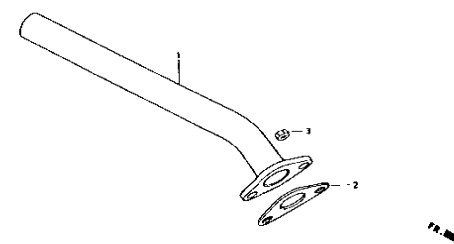
I 7 Muffler (1)  
E-16



I 11 Muffler (2)  
E-16-1



I 13 Muffler (3)  
E-16-2



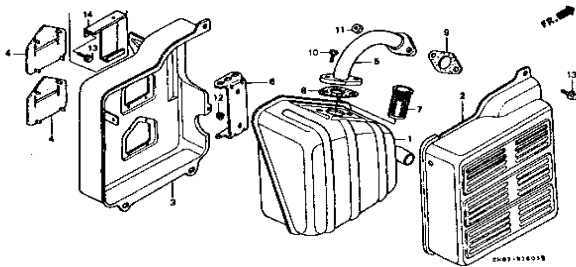
# C 5

## ENGINE GROUP

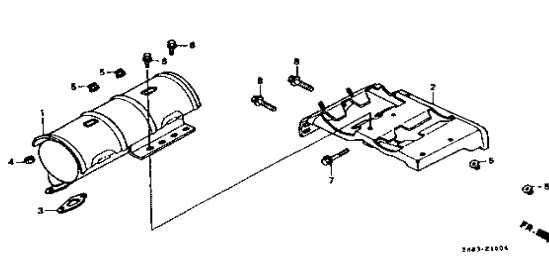
[ E ]

•Ref.No.on the Index illustration may be different from that in the text.

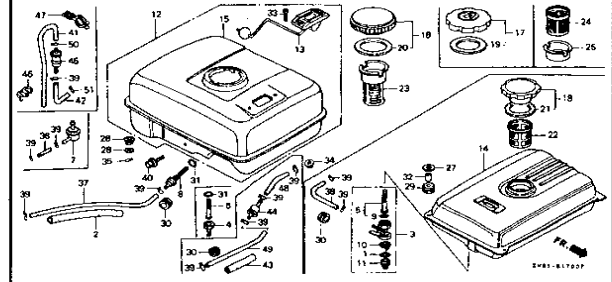
**I 14** Muffler (4)  
E-16-3



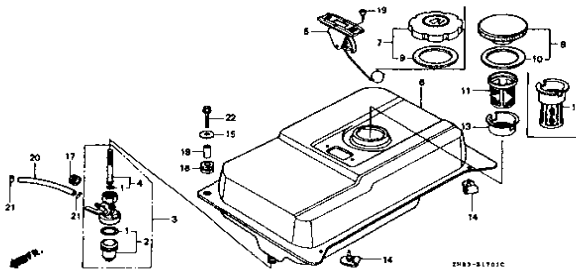
**I 15** Muffler (5)  
E-16-4



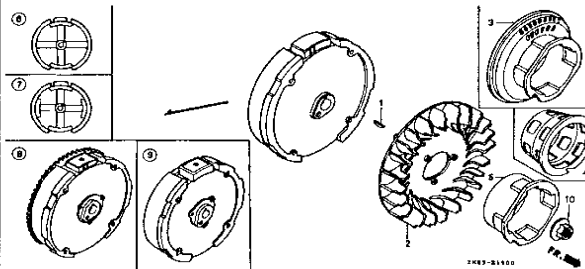
**I 16** Fuel tank (1)  
E-17



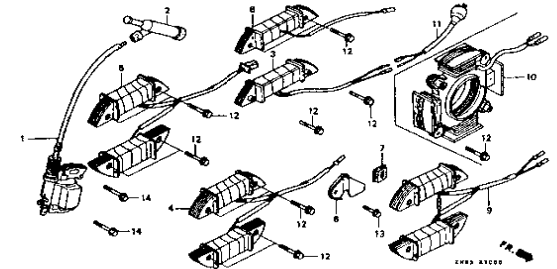
**J 7** Fuel tank (2)  
E-17-1



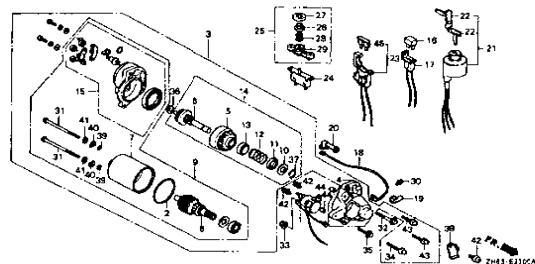
**J 9** Flywheel  
E-19



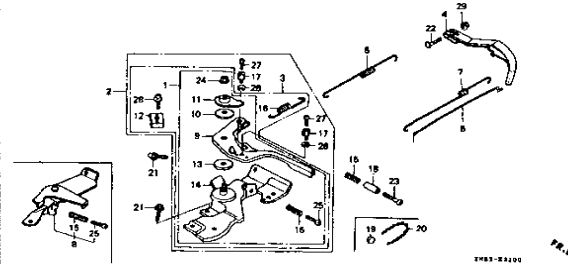
**J 11** Ignition coil  
E-20



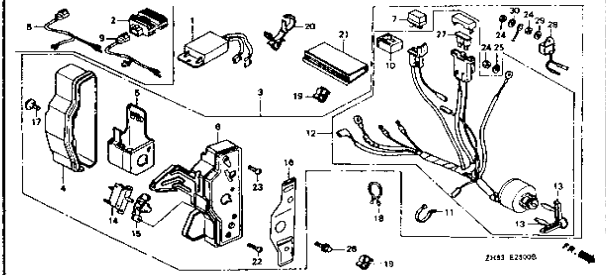
**J 13** Starter motor  
E-21



**K 1** Control  
E-22



**K 12** Control box (1)  
E-23

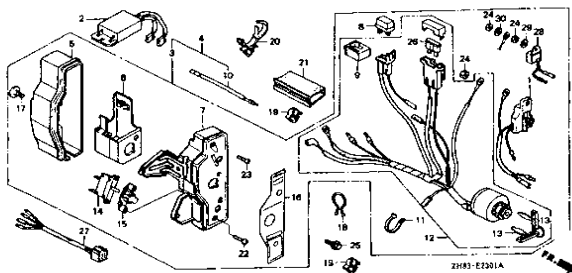


2

-Ref.No.on the Index illustration may be different from that in the text.

K 14 Control box (2)

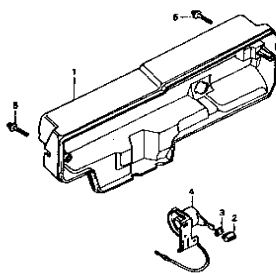
E-23-1



ZH83-E2301A

L 1 Control case/  
Engine switch

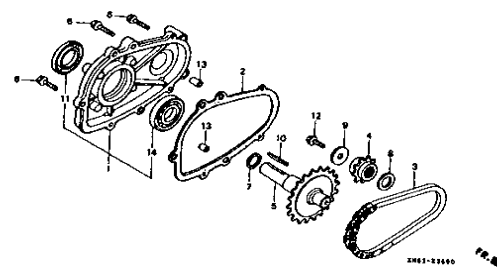
E-23-2



ZH83-E2302

L 2 Reduction (1)

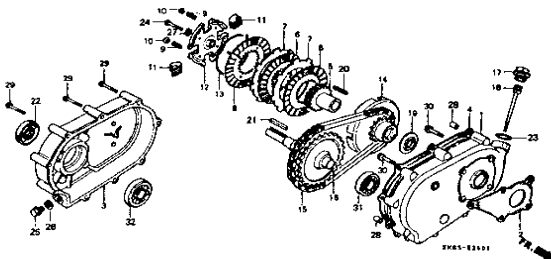
E-26



ZH83-E2600

L 4 Reduction (2)

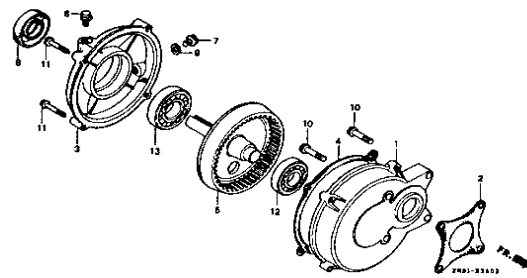
E-26-1



ZH83-E2601

L 7 Reduction (3)

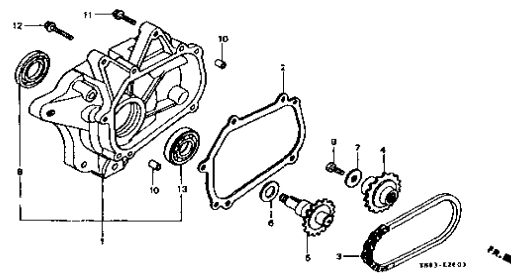
E-26-2



ZH83-E2603

L 8 Reduction (4)

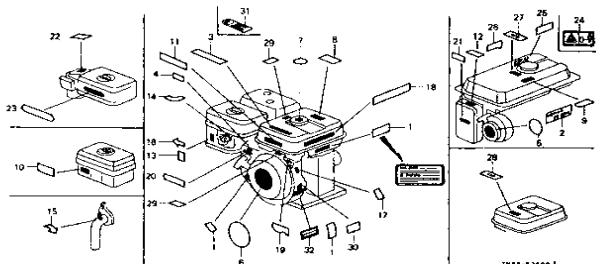
E-26-3



ZH83-E2603

L 9 Label

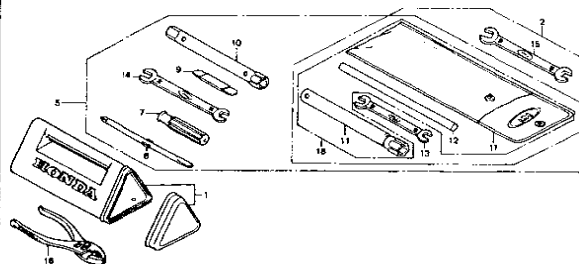
E-28



ZH83-E2800 A

L 13 Tools

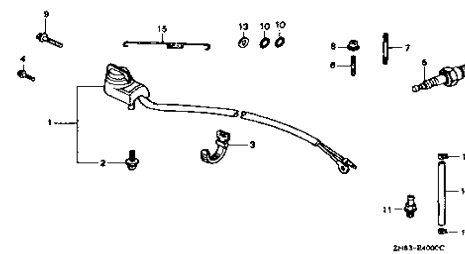
E-29



ZH83-E2900 A

L 15 Engine stop switch

E-40



ZH83-E4000C

2

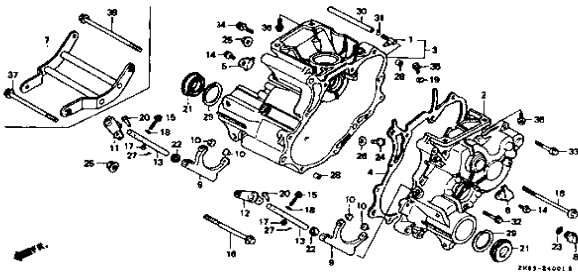


-Ref.No.on the Index illustration may be different from that in the text.

**L 16**

**Transmission case**

E-40-1

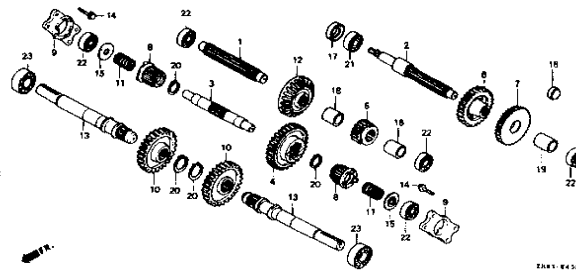


2193-84001.6

**M 2**

**Transmission gear**

E-40-2

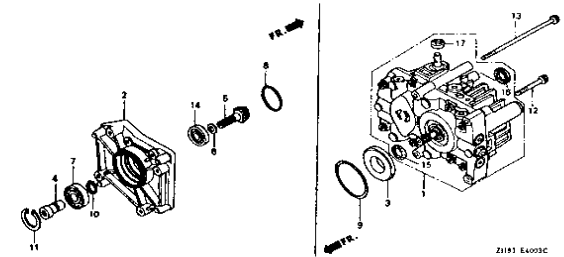


2193-84002

**M 3**

**Hydrostatic transmission**

E-40-3

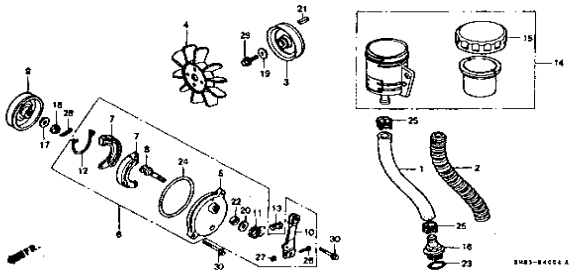


2193-84003C

**M 4**

**Oil tank/Brake panel**

E-40-4



2193-84004.4

**M 6**

**Gasket kit**

EOP-1

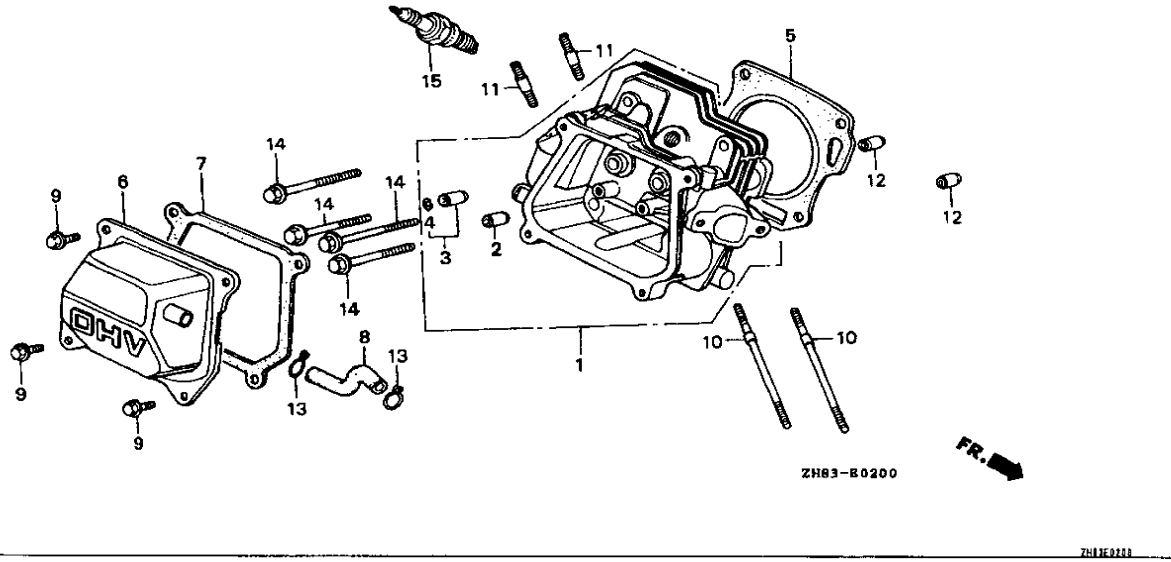


**2**



Ref. No.	Part No.	Description	Reqd. QTY				Serial No.	Type
			GX160K1					
			(1)	(2)	(3)	(4)		
4	12216-ZE5-300	CLIP, VALVE GUIDE.....	1	1	1	1		
5	12251-ZF1-000	GASKET, CYLINDER HEAD.....	1	(1)	-	-	2404157	
	12251-ZF1-800	.....	1	-	1	1		
			1	(1)	-	-	2404158	
6	12310-ZE1-000	COVER COMP., HEAD.....	1	-	1	-	3427128	
			1	-	-	-	3429382	
			1	-	-	-	3482752	
			1	(1)	-	-	3527234	
			1	(1)	-	-	3427858	
	12310-ZE1-840	COVER COMP., HEAD (BREATHING TUBE)	-	(1)	-	-	3533411	
			-	(1)	-	-		
	12310-ZE1-010	COVER COMP., HEAD.....	1	-	1	1		
			1	-	-	-	3427129	
			1	-	-	-	3429383	
			1	-	-	-	3482753	
			1	-	-	-	3527235	
			-	(1)	-	-	3427859	
	12310-ZE1-841	COVER COMP., HEAD (BREATHING TUBE)	1	-	-	-	LSS4, QNT4, QXC6	
			-	(1)	-	-	3533412	
7	12391-ZE1-000	PACKING, HEAD COVER.....	1	1	1	1		

2



Service Item F.R.T.

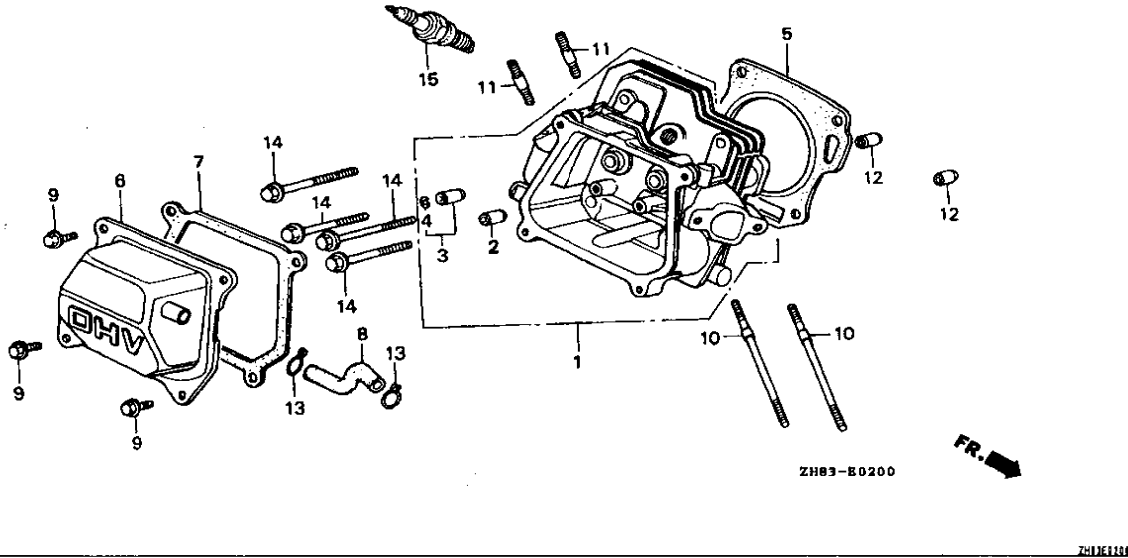
ZH162221

2

Ref. No.	Part No.	Description	Reqd. QTY				Serial No.	Type
			(1)	(2)	(3)	(4)		
8	15721-ZH8-000	TUBE, BREATHER.....	1	(1)	1	1	-----	ARC6, BIH, EN, ET, ETX, HH, HHQ4, HH26, HX, HXE, HXE8, HXU, HX26, HX4, H1, KTA, LAX, LD, LDB1, LDB3, LDM, LD4, LH, LHB3, LHQ4, LHW, LSJ4, LTA, LVSH, LWZ, LX, LXU, LX26, LX4, L1, NW, PH, PHM, PHU, PM, PMZ, PX, PXU, QA, QAB1, QAB3, QA26, QBT6, QBU2, QD, QE, QFE4, QH, QHE, QHP1, QHQ4, QH26, QIH1, QKA4, QM, QMC6, QMC8, QMD6, QME4, QMH, QNT, QNT2, QNZ, QP, QPU, QT, QVSH, QWA4, QX, QXB, QXB1, QXE, QXE4, QXE6, QXE8, QXU, QXW, QXW2, QX26, QX4, Q1, RAC, RD, RD4, REX4, RH, RHQ4, RH26, RMB4, RSK, RX, RXE, RXE4, RXU, RX4, R1, SAC, SAD2, SD, SDB1, SDB3, SDN, SDS, SDS2, SDS3, SD16, VIH1, VMB3, VMS4, VS, VSD, VSDP, VSX, VSX1, VSX3, VS1, VTD, VTD1, VTU1, VVSH, VX, VXE, VXE4, VXE6, VXG, VXM, VXP, VXU, VXU1, VX26, VX4, V1, WIH1, WKT4, WMB0, WME4, W1
	15721-883-030	.....	1	-	-	-	-----	VED2, VED3, VMT, VPM4, VPR4, VSB1, VSD1, VSW, VS3, VS4, VTE2, VTX, VTX1, QZ
	15721-ZE1-710	.....	1	(1)	-	-	-----	H1, LSS4, L1, QNT4, QXC6, Q1, R1, S1, T1, U1, V1, W1
	15721-ZE1-840	.....	1	(1)	-	-	-----	EN, ET, ETX, HH, HX, H1, KTA, LD, LH, LTA, LWZ, LX, L1, PH, PM, PMZ, PX, QA, QD, QE, QH, QHE, QM, QNT, QT, QX, QXB, QXE, QXW, QZ, Q1, RAC, RD, RH, RX, RXE, R1, SAC, SD, SDS, SE, SEE, SH, STA, SWX, SWZ, SX, SXB, SXE, S1, TH, TX, T1, UH, UX, U1, VA, VEBM, VED, VED1, VED2, VH, VS, VSD, VSD1, VSX, VS1, VS3, VS4, VX, VXE, V1, W1
9	90016-ZE1-000	BOLT, FLANGE, 6X13.....	4	4	-	-	2708336	-----
			4	-	-	-	-----	VSX1

Ref. No.	Part No.	Description	Reqd. QTY				Serial No.	Type		
			(1)	(2)	(3)	(4)				
(9)	90013-883-000	BOLT, FLANGE, 6X12 (CT200)....	4	-	4	4	-----	ARC6, BIH, HHQ4, HH26, HXE, HXE8, HXU, HX26, HX4, LAX, LDB1, LDB3, LDM LD4, LHB3, LHQ4, LHW, LSJ4, LSS4, LVSH, LXU, LX26, LX4, NW, PHM, PHU PXU, QAB1, QAB3, QA26, QBT6, QBU2, QFE4, QHP1, QHQ4, QH26, QIH1, QKA4, QMC6, QMC8, QMD6, QME4, QMH, QNT2, QNT4, QNZ, QP, QPU, QVSH, QWA4, QXB1, QXC6, QXE4, QXE6, QXE8, QXU, QXW2, QX26, QX4, RD4, REX4, RHQ4, RH26, RMB4, RSK, RXE4, RXU, RX4, SAD2, SDB1, SDB3, SDN, SDS2, SDS3, SD16, SD4 SHM, SHQ4, SHR4, SIH, SMB4, SMC7, SMC9, SM14, SWG4, SXE4, SXS4, SXU, SX4, THU, TXU, TX26, TX4, UIH, UXU, VED3, VGE4, VHH4, VHQ4, VIH1, VIH1 VMB3, VMS4, VMT, VPM4, VPR4, VSB1, VSDP, VSW, VSX3, VTD, VTD1, VTE2, VTU1, VTX, VTX1, VVSH, VXE4, VXE6, VXG, VXM, VXP, VXU, VXU1, VX26, VX4, WIH1, WKT4, WMBO, WME4		
			4	4	-	-	2708337	-----	EN, ET, ETX, HH, HX, H1, KTA, LD, LH, LTA, LWZ, LX, L1, PH, PM, PMZ, PX, QA, QD, QE, QH, QHE, QM, QNT, QT, QX, QXB, QXE, QXW, QZ, Q1, RAC, RD, RH, RX, RXE, R1, SAC, SD, SDS, SE, SEE, SH, STA, SWX, SWZ, SX, SXB, SXE, S1, TH, TX, T1, UH, UX, U1, VA, VEBM, VED, VED1, VED2, VH, VS, VSD, VSD1, VSX, VS1, VS3, VS4, VX, VXE, V1, W1	
10	90043-ZE1-010	BOLT, STUD, 6X109.....	2	2	2	-	-----	2995849	-----	BIH, EN, ET, ETX, HH, HX, KTA, LAX, LD, LH, LTA, LWZ, LX, L1, PH, PHU, PM, PMZ, PX, QA, QD, QE, QH, QHE, QM, QNT, QT, QX, QXB, QXE, QXW, Q1, RAC, RD, RH, RSK, RX, RXE, R1, SAC, SD, SDS, SE, SEE, SH, SIH, STA, SWX, SWZ, SX, SXB, SXE, S1, TH, THU, TX, T1, UH, UIH, UX, VA, VEBM, VED, VED1, VH, VS, VSD, VSX, VSX1, VS1, VX, VXE, VXU, V1, W1
	90043-ZB2-003	BOLT, STUD, 6X94.....	-	2	-	-	-----	-----	-----	H1, U1
	90043-ZE1-020	BOLT, STUD, 6X112.....	2	-	2	2	-----	-----	-----	QZ, VED2, VED3, VMT, VPM4, VPR4, VSB1, VSD1, VSW, VS3, VS4, VTE2, VTX, VTX1
			2	2	2	-	-----	2995850	-----	ARC6, HHQ4, HH26, HXE, HXE8, HXU, HX26, HX4, LDB1, LDB3, LDM, LD4, LHB3, LHQ4, LHW, LSJ4, LSS4, LVSH, LXU, LX26, LX4, NW, PHM, PHU, QAB1, QAB3, QA26, QBT6, QBU2, QFE4, QHP1, QHQ4, QH26, QIH1, QKA4, QMC6, QMC8, QMD6, QME4, QMH, QNT2, QNT4, QNZ, QP, QPU, QVSH, QWA4, QXC6, QXE4, QXE6, QXE8, QXU, QXW2, QX26, QX4, RD4, REX4, RHQ4, RH26, RMB4, RSK, RX, RXE4, RXU, RX4, SAD2, SDB1, SDB3, SDN, SDS2, SDS3, SD16, SD4, SHM, SHQ4, SHR4, SMB4, SMC7, SMC9, SM14, SWG4, SXE4, SXS4, SXU, SX4, THU, TX26, TX4, UXU, VGE4, VHH4, VHQ4, VIH1, VIH1, VMB3, VMS4, VSDP, VSX3, VTD, VTD1, VTU1, VVSH, VXE4, VXE6, VXG, VXM, VXP, VXU1, VX26, VX4, WIH1, WKT4, WMBO, WME4
			2	2	2	-	-----	-----	-----	BIH, EN, ET, ETX, HH, HX, KTA, LAX, LD, LH, LTA, LWZ, LX, L1, PH, PHU, PM, PMZ, PX, QA, QD, QE, QH, QHE, QM, QNT, QT, QX, QXB, QXB1, QXE, QXW, Q1, RAC, RD, RH, RSK, RX, RXE, R1, SAC, SD, SDS, SE, SEE, SH, SIH, STA, SWX, SWZ, SX, SXB, SXE, S1, TH, THU, TX, T1, UH, UIH, UX, VA, VEBM, VED, VED1, VH, VS, VSD, VSX, VSX1, VS1, VX, VXE, VXU, V1, W1
11	90047-ZE1-000	BOLT, STUD, 8X32.....	2	2	2	2	-----	-----	-----	H1, LSS4, L1, Q1, R1, S1, T1, U1, V1, W1
12	94301-10160	PIN, DOWEL, 10X16.....	2	2	2	2	-----	-----	-----	-----
13	95002-80000	CLIP, TUBE (C12).....	2	(2)	-	-	-----	-----	-----	-----
14	95723-08060-00	BOLT, FLANGE, 8X60.....	4	4	4	4	-----	-----	-----	-----
15	98079-54846	PLUG, SPARK (BPR4ES NGK).....	1	-	-	-	-----	-----	-----	ARC6
	98079-54855	PLUG, SPARK (W14EPR-U DENSO).....	1	-	-	-	-----	-----	-----	ARC6
	98079-55841	PLUG, SPARK (BP5ES NGK).....	(1)	(1)	-	-	-----	-----	-----	H1, L1, Q1, R1, S1, T1, U1, VS, VS1, V1, W1
	98079-55854	PLUG, SPARK (W16EP-U DENSO).....	(1)	(1)	-	-	-----	-----	-----	H1, L1, Q1, R1, S1, T1, U1, VS, VS1, V1, W1
	98079-56855	PLUG, SPARK (W20EPR-U DENSO).....	1	-	-	-	-----	3923401	-----	QAB1
			1	-	-	-	-----	4224868	-----	VS3, VS4
	98079-55846	PLUG, SPARK (BPR5ES NGK).....	(1)	(1)	(1)	(1)	-----	-----	-----	HX, HXE, HXE8, HXU, HX26, HX4, H1, LAX, LD4, LH, LHB3, LHQ4, LHW, LSJ4, LSS4, LVSH, LX, LXU, LX26, LX4, L1, QA, QAB1, QAB3, QA26, QBT6, QBU2, QH, QHQ4, QH26, QMC6, QME4, QMH, QNT, QNT2, QNT4, QP, QPU, QVSH, QWA4, QX, QXB, QXB1, QXU, QX26, QX4, Q1, RD4, REX4, RH, RHQ4, RH26, RSK, RX, RXE, RXE4, RXU, RX4, R1, SAD2, SDS, SD4, SH, SHM, SHQ4, S1, TX, TXU, TX26, TX4, T1, UX, UXU, U1, VED, VED1, VGE4, VH, VHH4, VHQ4, VIH1, VMS4, VPM4, VPR4, VSD, VSDP, VSD1, VSX, VSX1, VSX3, VTD, VTD1, VTU1, VVSH, VX, VXG, VXM, VXP, VXU, VXU1, VX26, VX4, V1, WKT4, WMBO, WME4, W1

2



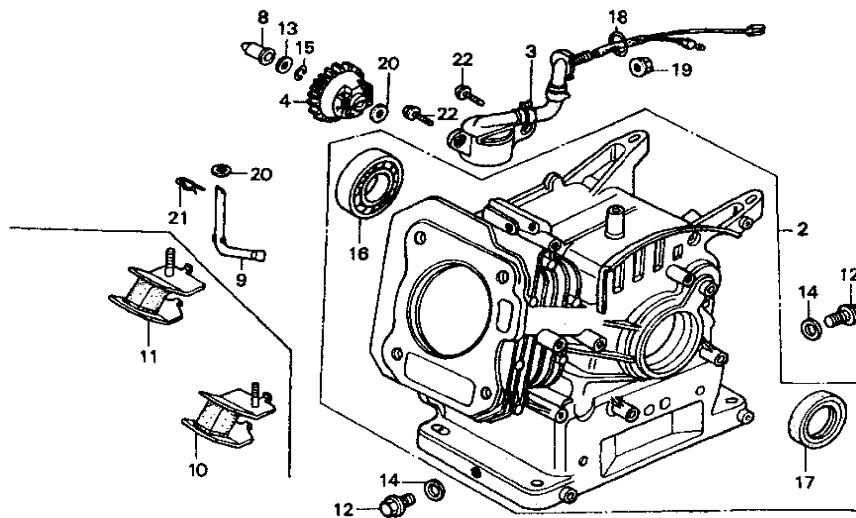
Service Item F.R.T.

2

Ref. No.	Part No.	Description	Reqd. QTY (1) (2) (3) (4)	Serial No.	Type
15)	98079-55855	PLUG, SPARK (W16EPR-U DENSO)...	(1) (1) (1) (1)		HX, HXE, HXE8, HXU, HX26, HX4, H1, LAX, LH, LHB3, LHQ4, LHW, LSJ4, LSS4, LVSH, LX, LXU, LX26, LX4, L1, QA, QAB1, QAB3, QA26, QBT6, QBU2, QH, QHP1, QHQ4, QH26, QME4, QMH, QNT, QNT2, QNT4, QP, QPU, QVSH, QWA4, QX, QXB, QXB1, QXU, QX26, QX4, Q1, REX4, RH, RHQ4, RH26, RSK, RX, RXE, RXE4, RXU, RX4, R1, SAD2, SDS, SH, SHM, SHQ4, S1, TX, TXU, TX26, TX4, T1, UX, UXU, U1, VED, VED1, VGE4, VH, VHH4, VHQ4, VIH1, VMS4, VPM4, VPR4, VSD, VSDP, VSD1, VSX, VSX1, VSX3, VTD, VTD1, VTU1, VVSH, VX, VYG, VXM, VXP, VXU, VXU1, VX26, VX4, V1, WKT4, WME4, W1
	98079-56841	PLUG, SPARK (BP6ES NGK).....	(1) - - - 1 (1) 1 -	3923402	LD4, QMC6, RD4, SD4, WMBO BIH, EN, ET, ETX, H1, LD, LDB1, LDB3, LDM, LHB3, LTA, LWZ, L1, NW, PM, PMZ, QAB1, QAB3, QD, QIH1, QM, Q1, RD, R1, SD, SDB1, SDB3, SDN, SDS2, SDS3, SEE, SIH, STA, SWZ, S1, T1, U1, VED, VIH, VS, VSB1, VSX3, VS1, VTD, VTD1, VTX, VTX1, V1, WIH1, W1
			1 - - - 1 - - -	3923401 4224869	LD4, QMC6, RD4, SDS, SD4, WMBO VSX, VSX1, VS3, VS4
	98079-56854	PLUG, SPARK (W20EP-U DENSO)...	- - (1) - 1 (1) (1) -		UIH EN, ET, ETX, H1, LD, LDB1, LDB3, LDM, LHB3, LTA, LWZ, L1, NW, PM, PMZ, QAB3, QD, QM, QT, QZ, Q1, RD, R1, SD, SDB1, SDB3, SDN, SDS2, SDS3, SEE, STA, SWZ, S1, T1, UIH, U1, VED, VS, VSB1, VSX3, VS1, VTD, VTD1, VTX, VTX1, V1, WIH1, W1
			1 - - - 1 - - - 1 - - -	3923401 3923402 4224869	LD4, RD4, SDS, SD4, WMBO QAB1 VSX, VSX1, VS3, VS4

Ref. No.	Part No.	Description	Reqd. QTY				Serial No.	Type	
			(1)	(2)	(3)	(4)			
15)	98079-56846	PLUG, SPARK (BPR6ES NGK).....	1	(1)	1	1	-----	HH,HHQ4,HH26,HX,HXE,HXE8,HXU,HX26,HX4,H1,KTA,LAX,LH,LHQ4 LHW,LSJ4,LSS4,LVSH,LX,LXU,LX26,LX4,L1,PH,PHM,PHU,PX,PXU,QA QA26,QBT6,QBU2,QE,QFE4,QH,QHE,QHQ4,QH26,QKA4,QMC8,QMD6,QME4 QMH,QNT,QNT2,QNT4,QNZ,QP,QPU,QVSH,QWA4,QX,QXB,QXB1,QXC6,QXE QXE4,QXE6,QXE8,QXU,QXW,QXW2,QX26,QX4,Q1,RAC,REX4,RH,RHQ4 RH26,RMB4,RSK,RX,RXE,RXE4,RXU,RX4,R1,SAC,SAD2,SD16,SE,SH SHM,SHQ4,SHR4,SMB4,SMC7,SMC9,SM14,SWG4,SWX,SX,SXB,SXE,SXE4 SXS4,SXU,SX4,S1,TH,THU,TX,TXU,TX26,TX4,T1,UH,UX,UXU,U1,VA VEBM,VED1,VED2,VED3,VGE4,VH,VHH4,VHQ4,VIH1,VMB3,VMS4,VMT VPM4,VPR4,VSD,VSDP,VSD1,VSW,VTE2,VTU1,VVSH,VX,VXE,VXE4,VXE6 VXG,VXM,VXP,VXU,VXU1,VX26,VX4,V1,WKT4,WME4,W1 LD4,QMC6,RD4,SDS,SD4,WMB0	
			1	-	-	-	3923402	-----	
			1	-	-	-	4224868	-----	VSX,VSX1,VS3,VS4
	98079-56855	PLUG, SPARK (W20EPR-U DENSO)..	1	(1)	1	1	-----	HH,HHQ4,HH26,HX,HXE,HXE8,HXU,HX26,HX4,H1,KTA,LAX,LH,LHQ4 LHW,LSJ4,LSS4,LVSH,LX,LXU,LX26,LX4,L1,PH,PHM,PHU,PX,PXU,QA QA26,QBT6,QBU2,QE,QFE4,QH,QHP1,QHQ4,QH26,QKA4,QME4,QMH,QNT QNT2,QNT4,QP,QPU,QWA4,QX,QXB,QXB1,QXC6,QXE,QXE4,QXE6,QXE8 QXU,QXW,QXW2,QX26,QX4,Q1,RAC,REX4,RH,RHQ4,RH26,RSK,RX,RXE RXE4,RXU,RX4,R1,SAC,SAD2,SD16,SE,SH,SHM,SHQ4,SHR4,SM14,SWG4 SWX,SX,SXB,SXE,SXE4,SXS4,SXU,SX4,S1,TH,THU,TX,TXU,TX26,TX4 T1,UH,UX,UXU,U1,VA,VEBM,VED1,VED2,VED3,VGE4,VH,VHH4,VHQ4 VIH1,VMS4,VMT,VPM4,VPR4,VSD,VSDP,VSD1,VSW,VTE2,VTU1,VX,VXE VXE4,VXE6,VXG,VXM,VXP,VXU,VXU1,VX26,VX4,V1,WKT4,W1 LD4,QMC6,RD4,SDS,SD4,WMB0	
			1	-	-	-	3923402	-----	
			1	-	-	-	4224868	-----	VSX,VSX1

2



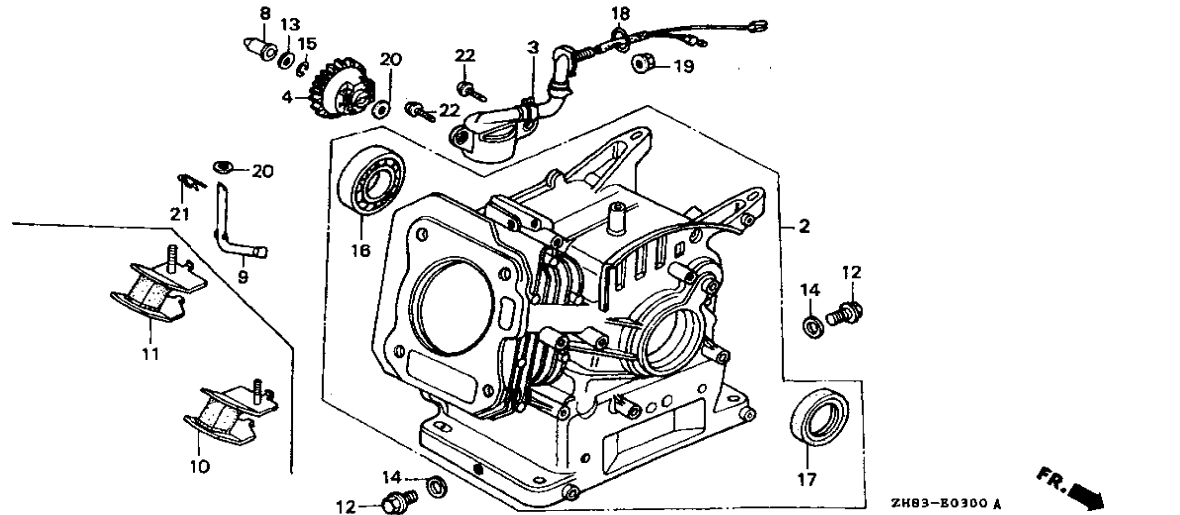
Service Item	F.R.T.
BARREL ASSY., CYLINDER.....	2.0
SWITCH ASSY., OIL LEVEL.....	0.5
.O-RING, 14MM	
GOVERNOR ASSY.....	0.9
-SHAFT, GOVERNOR ARM	
SLIDER, GOVERNOR.....	0.4
RUBBER, FR. BOTTOM.....	0.2
BEARING, RADIAL BALL, 6205.....	1.9
OIL SEAL, 25X41X6.....	1.8

Ref. No.	Part No.	Description	Reqd. QTY				Serial No.	Type
			(1)	(2)	(3)	(4)		
2	12000-ZF1-812	BARREL ASSY., CYLINDER (OIL ALERT)	1	(1)	-	-	4067884	ETX, HX, HXE, HX26, HX4, H1, LAX, LX, LX26, LX4, L1, PX, QA, QBT6, QBU2, QKA4, QMC8, QMD6, QNT, QNT2, QX, QXB, QXB1, QXC6, QXE, QXE4, QXE6, QXW, QXW2, QX26, QX4, Q1, RX, RXE, RXE4, RX4, R1, SAD2, SMC7, SMC9, SWG4, SWX, SX, SXB, SXE, SXE4, SX4, S1, TX, TX26, TX4, T1, UX, U1, VEBM, VED1, VED2, VED3, VGE4, VHH4, VMB3, VMS4, VSD, VSD1, VSX, VSX1, VS3, VS4, VX, VXE, VXE4, VXG, VXU, VX26, VX4, V1, W1
	12000-ZF1-020	BARREL ASSY., CYLINDER (STD.)	1	-	-	-	3292573	4067884 VA
	12000-ZH8-T01	BARREL ASSY., CYLINDER.....	1	-	-	-	3292572	VA
	12000-ZH8-000	.....	-	(1)	-	-	-	H1, U1
	12000-ZH8-901	.....	1	-	-	-	4193707	BIH, LVSH, QVSH, SIH, UIH, VIH, WIH1
	12000-ZH8-010	.....	1	(1)	-	-	4193707	EN, ET, HH, HHQ4, HH26, KTA, LD, LDB1, LDB3, LD4, LH, LHB3, LHQ4, LTA, LWZ, L1, PH, PHU, PM, PMZ, QA, QAB1, QAB3, QA26, QD, QE, QH, QHE, QHQ4, QH26, QM, QMC6, QME4, QNZ, QP, QPU, QT, Q1, R1, SAC, SD, SDB1, SDB3, SDS, SDS2, SDS3, SD16, SD4, SE, SEE, SH, SHQ4, SMB4, STA, SWZ, S1, TH, THU, T1, UH, VED, VH, VHQ4, VS, VS1, V1, WMBO, W1
	12000-ZH8-901	.....	1	-	-	-	4078965	RAC, RD, RD4, RH, RHQ4, RH26, RMB4, RSK
	12000-ZH8-010	.....	1	-	-	-	4078965	QZ
	12000-ZH8-691	.....	1	(1)	-	-	4193708	ARC6, LDM, LHW, LSJ4, LSS4, NW, PHM, QFE4, QHP1, QIH1, REX4, SDN, SHM, SHR4, VTE2, WME4
	12000-ZH8-691	.....	1	-	-	-	4078966	4193707
	12000-ZH8-691	.....	1	-	-	-	4078966	4193707 RAC, RD, RD4, RH, RHQ4, RH26, RMB4, RSK



Ref. No.	Part No.	Description	Reqd. QTY				Serial No.	Type
			GX169K1 (1)	(2)	(3)	(4)		
(2)	12000-ZH8-811	BARREL ASSY., CYLINDER (OIL ALERT)	1	(1)	-	-	4067885	ETX, HX, HXE, HX26, HX4, LAX, LX, LX26, LX4, L1, PX, QBT6, QBU2, QKA4, QMC8, QMD6, QNT, QNT2, QX, QXB, QXB1, QXC6, QXE, QXE4, QXE6, QXW, QXW2, QX26, QX4, Q1, RX, RXE, RXE4, RX4, SAD2, SMC7, SMC9, SWG4, SWX, SX, SXB, SXE, SXE4, SX4, S1, TX, TX26, TX4, T1, UX, VA, VEBM, VED1, VED2, VED3, VGE4, VHH4, VMB3, VMS4, VSD, VSD1, VSX, VSX1, VS3, VS4, VX, VXE, VXE4, VXG, VXU, VX26, VX4, V1, W1
			1	-	1	1		HXE8, HXU, LXU, PXU, QMH, QNT4, QWA4, QXE8, QXU, RXU, SM14, SXS4, SXU, TXU, UXU, VIH1, VMT, VPM4, VPR4, VSB1, VSDP, VSW, VSX3, VTD, VTD1, VTU1, VTX, VTX1, VVSH, VXE6, VXM, VXP, VXU1, WKT4
3	15510-ZE1-003	SWITCH ASSY., OIL LEVEL.....	1	(1)	-	-	2468252	ETX, HX, H1, LX, L1, PX, QNT, QX, QXE, Q1, RX, RXE, R1, SWX, SX, SXE, S1, TX, T1, UX, U1, VA, VEBM, VED1, VSD, VSX, VS3, VX, VXE, V1, W1
	15510-ZE1-013	.....	1	(1)	-	-	2468253	4368640 ETX, HX, LX, L1, PX, QNT, QX, QXE, Q1, RX, RXE, SWX, SX, SXE, S1, TX, T1, UX, VA, VEBM, VED1, VSD, VSX, VS3, VX, VXE, V1, W1
			1	-	-	-	4368640	HXE, HX26, HX4, LAX, LX26, LX4, QBT6, QBU2, QKA4, QMC8, QMD6, QMH, QNT2, QXB, QXB1, QXC6, QXE4, QXE6, QXW, QXW2, QX26, QX4, RXE4, RX4, SAD2, SMC7, SMC9, SWG4, SXB, SXE4, SX4, TX26, TX4, VED2, VED3, VGE4, VHH4, VMB3, VMS4, VSD1, VSW, VSX1, VS4, VXE4, VXG, VXU, VX26, VX4
			-	(1)	-	-	2468253	H1, R1, U1
			-	-	-	1		
	15510-ZE1-023	.....	1	(1)	-	-	4368641	ETX, LAX, QBU2, QNT2, QXB, SAD2, SWX, T1, VA, VXE, V1
			1	(1)	-	-	4368641	5640312 HX, HXE, HX26, HX4, LX, LX26, LX4, L1, PX, QBT6, QKA4, QMC8, QMD6, QMH, QNT, QX, QXB1, QXC6, QXE, QXE4, QXE6, QXW, QXW2, QX26, QX4, Q1, RX, RXE, RXE4, RX4, SMC7, SMC9, SWG4, SX, SXB, SXE, SXE4, SX4, S1, TX, TX26, TX4, UX, VEBM, VED1, VED2, VED3, VGE4, VHH4, VMB3, VMS4, VSD, VSD1, VSW, VSX, VSX1, VS3, VS4, VX, VXE4, VXG, VXU, VX26, VX4, W1
			1	-	-	-	5640312	HXE8, LXU, PXU, QNT4, QWA4, QXE8, QXU, RXU, SXU, TXU, UXU, VPM4, VPR4, VSB1, VTD, VTD1, VTU1, VTX, VTX1, VXE6, VXM, VXU1
			-	-	-	1		
	15510-ZE1-033	.....	1	(1)	-	-	5640313	HX, HXE, HXE8, HX26, HX4, LX, LXU, LX26, LX4, L1, PX, PXU, QBT6, QKA4, QMC8, QMD6, QMH, QNT, QNT4, QWA4, QX, QXB1, QXC6, QXE, QXE4, QXE6, QXW, QXW2, QX26, QX4, Q1, RX, RXE, RXE4, RXU, RX4, SMC7, SMC9, SWG4, SX, SXB, SXE, SXE4, SXU, SX4, S1, TX, TXU, TX26, TX4, UX, UXU, VEBM, VED1, VED2, VED3, VGE4, VHH4, VMB3, VMS4, VPM4, VPR4, VSB1, VSD, VSD1, VSW, VSX, VSX1, VS3, VS4, VTD, VTD1, VTU1, VTX, VTX1, VX, VXE4, VXE6, VXG, VXM, VXU, VXU1, VX26, VX4, W1
			1	-	1	1		HXU, SM14, SXS4, VIH1, VMT, VSDP, VSX3, VVSH, VXP, WKT4
4	16510-ZE1-000	GOVERNOR ASSY.....	1	1	1	1		ARC6, BIH, EN, ET, ETX, HH, HHQ4, HH26, HX, HXE, HXE8, HXU, HX26, HX4, H1, KTA, LAX, LD, LDB1, LDB3, LDM, LD4, LH, LHB3, LHQ4, LHW, LLSJ4, LSS4, LTA, LVSH, LWZ, LX, LXU, LX26, LX4, L1, NW, PH, PHM, PHU, PM, PMZ, PX, PXU, QA, QAB1, QAB3, QA26, QBT6, QBU2, QD, QE, QFE4, QH, QHE, QHP1, QHQ4, QHZ6, QIH1, QKA4, QM, QMC6, QMC8, QMD6, QME4, QMH, QNT, QNT2, QNT4, QNZ, QPU, QT, QVSH, QWA4, QX, QXB, QXB1, QXC6, QXE, QXE4, QXE6, QXE8, QXU, QXW, QXW2, QX26, QX4, Q1, RAC, RD, RD4, REX4, RH, RHQ4, RH26, RMB4, RSK, RX, RXE, RXE4, RXU, RX4, R1, SAC, SAD2, SD, SDB1, SDB3, SDN, SDS, SDS2, V1, WIH1, WKT4, WMO, WME4, W1
			1	-	-	-	3943828	QP, VGE4, VMB3, VSD, VSD1
			1	-	-	-	4913229	VED, VED1, VED2, VED3, VH, VHH4, VHQ4, VMS4, VS, VSX, VSX1, VS1, VS3, VS4, VX, VXE, VXE4, VX26, VX4
			1	-	-	-	4805338	VSW, VXM, VXU
	16506-ZL0-000	.....	1	-	-	-	3943829	QP, VGE4, VMB3, VSD, VSD1
			1	-	-	-	4913230	5048024 VED, VED1, VED2, VED3
			1	-	-	-	4913230	VH, VHH4, VHQ4, VMS4, VS, VSX, VSX1, VS1, VS3, VS4, VX, VXE, VXE4, VX26, VX4
			1	-	1	-		VIH, VIH1, VMT, VPM4, VPR4, VSX3, VTD, VTD1, VTU1, VTX, VTX1, VVSH, VXE6, VXU1
			1	-	-	-	4805339	VSW, VXM, VXU

**2**



Service	Item	F.R.T.

2

Ref. No.	Part No.	Description	Reqd. QTY				Serial No.	Type
			(1)	(2)	(3)	(4)		
(4)	16510-ZE1-000	GOVERNOR ASSY.....	1	-	-	-	5048025	VED, VED1, VED2, VED3
8	16531-ZE1-000	SLIDER, GOVERNOR.....	1	1	1	1	-----	ARC6, BIH, EN, ET, ETX, HH, HHQ4, HH26, HX, HXE, HXE8, HXU, HX26, HX4, H1 KTA, LAX, LD, LDB1, LDB3, LDM, LD4, LH, LHB3, LHQ4, LHW, LJSJ4, LSS4, LTA LVSH, LWZ, LX, LXU, LX26, LX4, L1, NW, PH, PHM, PHU, PM, PMZ, PX, PXU, QA QAB1, QAB3, QA26, QBT6, QBU2, QD, QE, QFE4, QH, QHE, QHP1, QHQ4, QH26 QIH1, QKA4, QM, QMC6, QMC8, QMD6, QME4, QMH, QNT, QNT2, QNT4, QNZ, QP QPU, QT, QVSH, QWA4, QX, QXB, QXB1, QXC6, QXE, QXE4, QXE6, QXE8, QXU QXW, QXW2, QX26, QX4, Q1, RAC, RD, RD4, REX4, RH, RHQ4, RH26, RMB4, RSK RX, RXE, RXE4, RXU, RX4, R1, SAC, SAD2, SD, SDB1, SDB3, SDN, SDS, WME4 W1
9	16541-ZE1-000	SHAFT, GOVERNOR ARM.....	1	1	1	1	-----	ARC6, BIH, EN, ET, ETX, HH, HHQ4, HH26, HX, HXE, HXE8, HXU, HX26, HX4, H1 KTA, LAX, LD, LDB1, LDB3, LDM, LD4, LH, LHB3, LHQ4, LHW, LJSJ4, LSS4, LTA LVSH, LWZ, LX, LXU, LX26, LX4, L1, NW, PH, PHM, PHU, PM, PMZ, PX, PXU, QA QAB1, QAB3, QA26, QBT6, QBU2, QD, QE, QFE4, QH, QHE, QHP1, QHQ4, QH26 QIH1, QKA4, QM, QMC6, QMC8, QMD6, QME4, QMH, QNT, QNT2, QNT4, QNZ, QP QPU, QT, QVSH, QWA4, QX, QXB, QXB1, QXC6, QXE, QXE4, QXE6, QXE8, QXU QXW, QXW2, QX26, QX4, Q1, RAC, RD, RD4, REX4, RH, RHQ4, RH26, RMB4, RSK RX, RXE, RXE4, RXU, RX4, R1, SAC, SAD2, SD, SDB1, SDB3, SDN, SDS, WME4 W1
10	68326-ZB2-000	RUBBER, FR. BOTTOM.....	2	-	-	-	-----	VS, VSB1, VSW, VSX, VSX1, VSX3, VS1, VS3, VS4, VTD, VTD1, VTX, VTX1
11	68327-ZB2-000	RUBBER, RR. BOTTOM.....	2	-	-	-	-----	VS, VSB1, VSW, VSX, VSX1, VSX3, VS1, VS3, VS4, VTD, VTD1, VTX, VTX1
12	90131-ZE1-000	BOLT, DRAIN PLUG.....	2	2	2	2	-----	

Ref. No.	Part No.	Description	Reqd. QTY				Serial No.	Type
			(1)	(2)	(3)	(4)		
13	90451-ZE1-000	WASHER, THRUST, 6MM.....	1	1	1	1	-----	ARC6, BIH, EN, ET, ETX, HH, HHQ4, HH26, HX, HXE, HXE8, HXU, HX26, HX4, H1, KTA, LAX, LD, LDB1, LDB3, LDM, LD4, LH, LHB3, LHQ4, LHW, LSJ4, LSS4, LTA, LVSH, LWZ, LX, LXU, LX26, LX4, L1, NW, PH, PHM, PHU, PM, PMZ, PX, PXU, QA, QAB1, QAB3, QA26, QBT6, QBU2, QD, QE, QFE4, QH, QHE, QHP1, QHQ4, QH26, QIH1, QKA4, QM, QMC6, QMC8, QMD6, QME4, QMH, QNT, QNT2, QNT4, QNZ, QP, QPU, QT, QVSH, QWA4, QX, QXB, QXB1, QXC6, QXE, QXE4, QXE6, QXE8, QXU, QXW, QXW2, QX26, QX4, Q1, RAC, RD, RD4, REX4, RH, RHQ4, RH26, RMB4, RSK, RX, RXE, RXE4, RXU, RX4, R1, SAC, SAD2, SD, SDB1, SDB3, SDN, SDS, WME4, W1
14	90601-ZE1-000	WASHER, DRAIN PLUG, 10.2MM....	2	2	2	2		
15	90602-ZE1-000	CLIP, GOVERNOR HOLDER.....	1	1	1	1	-----	ARC6, BIH, EN, ET, ETX, HH, HHQ4, HH26, HX, HXE, HXE8, HXU, HX26, HX4, H1, KTA, LAX, LD, LDB1, LDB3, LDM, LD4, LH, LHB3, LHQ4, LHW, LSJ4, LSS4, LTA, LVSH, LWZ, LX, LXU, LX26, LX4, L1, NW, PH, PHM, PHU, PM, PMZ, PX, PXU, QA, QAB1, QAB3, QA26, QBT6, QBU2, QD, QE, QFE4, QH, QHE, QHP1, QHQ4, QH26, QIH1, QKA4, QM, QMC6, QMC8, QMD6, QME4, QMH, QNT, QNT2, QNT4, QNZ, QP, QPU, QT, QVSH, QWA4, QX, QXB, QXB1, QXC6, QXE, QXE4, QXE6, QXE8, QXU, QXW, QXW2, QX26, QX4, Q1, RAC, RD, RD4, REX4, RH, RHQ4, RH26, RMB4, RSK, RX, RXE, RXE4, RXU, RX4, R1, SAC, SAD2, SD, SDB1, SDB3, SDN, SDS, WME4, W1
16	91001-ZF1-003	BEARING, RADIAL BALL (6205TMB) (NTN)	1	1	1	1	-----	ARC6, EN, ET, ETX, HH, HHQ4, HH26, HX, HXE, HXE8, HXU, HX26, HX4, H1, KTA, LAX, LD, LDB1, LDB3, LDM, LD4, LH, LHB3, LHQ4, LHW, LSJ4, LSS4, LTA, LWZ, LX, LXU, LX26, LX4, L1, NW, PH, PHM, PHU, PM, PMZ, PX, PXU, QA, QAB1, QAB3, QA26, QBT6, QBU2, QD, QE, QFE4, QH, QHE, QHP1, QHQ4, QH26, QIH1, QKA4, QM, QMC6, QMC8, QMD6, QME4, QMH, QNT, QNT2, QNT4, QNZ, QP, QPU, QT, QWA4, QX, QXB, QXB1, QXC6, QXE, QXE4, QXE6, QXE8, QXU, QXW, QXW2, QX26, QX4, QZ, Q1, RAC, RD, RD4, REX4, RH, RHQ4, RH26, RMB4, RSK, RX, RXE, RXE4, RXU, RX4, R1, SAC, SAD2, SD, SDB1, SDB3, SDN, SDS, SDS2, SDS3, SD16, SD4, SE, SEE, VMS4, VMT, VPM4, VPR4, VS, VSB1, VSD, VSDP, VSD1, VSW, VSX, VSX1, VSX3, VS1, VS3, VS4, VTD, VTD1, VTE2, VTU1, VTX, VTX1, VVSH, VX, VXE, VXE4, VXE6, VXG, VXM, VXP, VXU, VXU1, VX26, VX4, V1, WKT4, WMB0, WME4, W1
	91001-ZF1-004	BEARING, RADIAL BALL (6205SH) (KOYO)	1	1	1	1	-----	ARC6, HH, HHQ4, HH26, HX, HXE, HXE8, HXU, HX26, HX4, H1, KTA, LAX, LD, LDB1, LDB3, LDM, LD4, LH, LHB3, LHQ4, LHW, LSJ4, LSS4, LTA, LWZ, LX, LXU, LX26, LX4, L1, NW, PH, PHM, PHU, PM, PMZ, PX, PXU, QA, QAB1, QAB3, QA26, QBT6, QBU2, QD, QE, QFE4, QH, QHE, QHP1, QHQ4, QH26, QIH1, QKA4, QM, QMC6, QMC8, QMD6, QME4, QMH, QNT2, QNT4, QNZ, QP, QPU, QT, QWA4, QX, QXB, QXB1, QXC6, QXE, QXE4, QXE6, QXE8, QXU, QXW, QXW2, QX26, QX4, QZ, Q1, RAC, RD, RD4, REX4, RH, RHQ4, RH26, RMB4, RSK, RX, RXE, RXE4, RXU, RX4, R1, SAC, SAD2, SD, SDB1, SDB3, SDN, SDS, SDS2, SDS3, SD16, SD4, SE, SEE, VPM4, VPR4, VS, VSB1, VSDP, VSD1, VSW, VSX, VSX1, VSX3, VS1, VS3, VS4, VTD, VTD1, VTE2, VTU1, VTX, VTX1, VVSH, VX, VXE, VXE4, VXE6, VXG, VXM, VXP, VXU, VXU1, VX26, VX4, V1, WKT4, WMB0, WME4, W1
	96100-62050-00	BEARING, RADIAL BALL, 6205....	-	-	1	-	-----	BIH, LVSH, QVSH, SIH, UIH, VIH, WIH1
17	91202-883-005	OIL SEAL, 25X41X6.....	1	1	1	1	-----	ETX, HX, HXE, HXE8, HXU, HX26, HX4, H1, LAX, LX, LXU, LX26, LX4, L1, PX, PXU, QBT6, QBU2, QKA4, QMC8, QMD6, QMH, QNT, QNT2, QNT4, QWA4, QX, QXB, QXB1, QXC6, QXE, QXE4, QXE6, QXE8, QXU, QXW, QXW2, QX26, QX4, Q1, RX, RXE, RXE4, RXU, RX4, R1, SAD2, SMC7, SMC9, SM14, SWG4, SWX, SX, SXB, SXE, SXE4, SXS4, SXU, SX4, S1, TX, TXU, TX26, TX4, T1, UX, UXU, U1, VA, VEBM, VED1, VED2, VED3, VGE4, VHH4, VIH1, VMB3, VMS4, VMT, VPM4, VPR4, VSB1, VSD, VSDP, VSD1, VSW, VSX, VSX1, VSX3, VS3, VS4, V4, VTD, VTD1, VTU1, VTX, VTX1, VVSH, VX, VXE, VXE4, VXE6, VXG, VXM, VXP, VXU, VXU1, VX26, VX4, V1, WIH1, WKT4, W1
18	91353-671-004	O-RING, 14MM (NOK).....	1	(1)	1	1	-----	

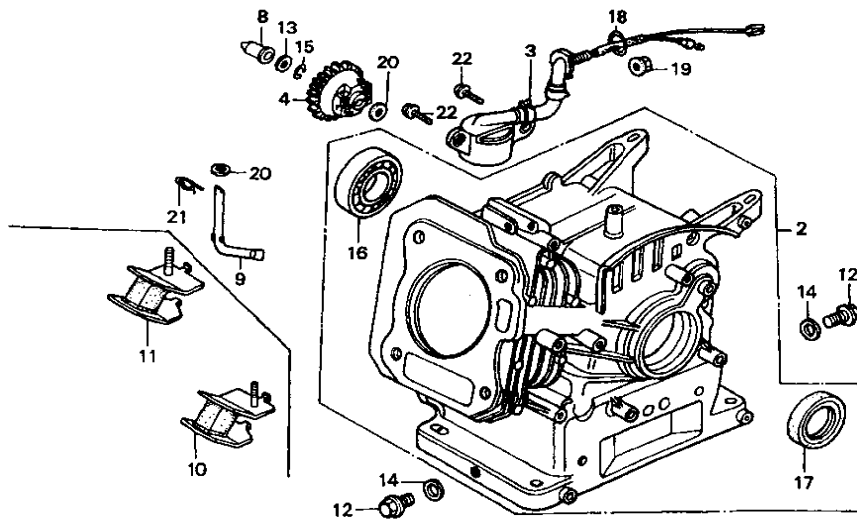
2

D 11

Cylinder barrel

E - 3

Service Item F.R.T.



ZH83-W0300 A



ZH12E111A

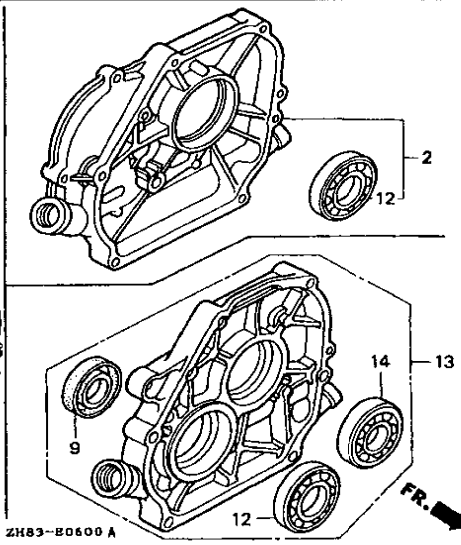
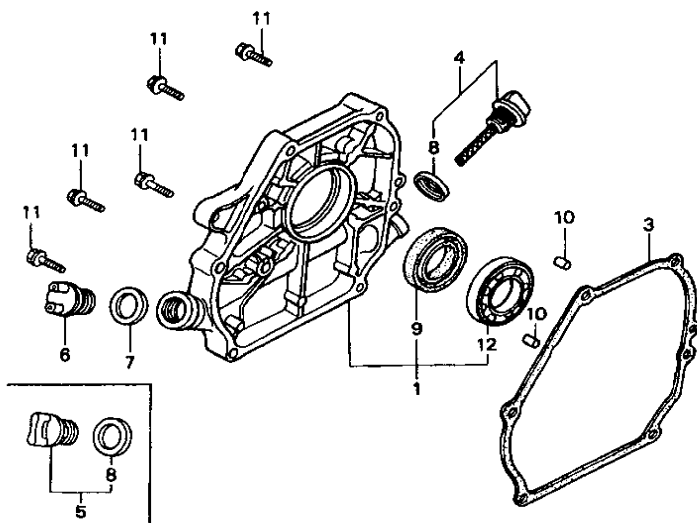
Ref. No.	Part No.	Description	Reqd. QTY				Serial No.	Type
			(1)	(2)	(3)	(4)		
19	94050-10000	NUT, FLANGE, 10MM.....	1	(1)	1	1	-----	ETX, HX, HXE, HXE8, HXU, HX26, HX4, H1, LAX, LX, LXU, LX26, LX4, L1, PX, PXU, QBT6, QBU2, QKA4, QMC8, QMD6, QMH, QNT, QNT2, QNT4, QWA4, QX, QXB, QXC6, QXE, QXE4, QXE6, QXE8, QXU, QXW, QXW2, QX26, QX4, Q1, RX, RXE, RXE4, RXU, RX4, R1, SAD2, SMC7, SMC9, SM14, SWG4, SWX, SX, SXB, SXE, SXE4, SXS4, SXU, SX4, S1, TX, TXU, TX26, TX4, T1, UX, UXU, U1, VA, VEBM, VED1, VED2, VED3, VGE4, VHH4, VIH1, VMB3, VMS4, VMT, VPM4, VPR4, VSB1, VSD, VSDP, VSD1, VSW, VSX, VSX1, VSX3, VS3, VS4, VTD, VTD1, VTU1, VTX, VTX1, VVSH, VX, VXE, VXE4, VXE6, VXG, VXM, VXP, VXU, VXU1, VX26, VX4, V1, WKT4, W1
20	94101-06800	WASHER, PLAIN, 6MM.....	2	2	2	2	-----	ARC6, BIH, EN, ET, ETX, HH, HHQ4, HH26, HX, HXE, HXE8, HXU, HX26, HX4, H1, KTA, LAX, LD, LDB1, LDB3, LDM, LD4, LH, LHB3, LHQ4, LHW, LSJ4, LSS4, LTA, LVSH, LWZ, LX, LXU, LX26, LX4, L1, NW, PH, PHM, PHU, PM, PMZ, PX, PXU, QA, QAB1, QAB3, QA26, QBT6, QBU2, QD, QE, QFE4, QH, QHE, QHP1, QHQ4, QH26, QIH1, QKA4, QM, QMC6, QMC8, QMD6, QME4, QMH, QNT, QNT2, QNT4, QNZ, QP, QPU, QT, QVSH, QWA4, QX, QXB, QXB1, QXC6, QXE, QXE4, QXE6, QXE8, QXU, QXW, QXW2, QX26, QX4, Q1, RAC, RD, RD4, REX4, RH, RHQ4, RH26, RMB4, RSK, RX, RXE, RXE4, RXU, RX4, R1, SAC, SAD2, SD, SDB1, SDB3, SDN, SDS, WME4, W1
21	94251-08000	PIN, LOCK, 8MM.....	1	1	1	1	-----	ARC6, BIH, EN, ET, ETX, HH, HHQ4, HH26, HX, HXE, HXE8, HXU, HX26, HX4, H1, KTA, LAX, LD, LDB1, LDB3, LDM, LD4, LH, LHB3, LHQ4, LHW, LSJ4, LSS4, LTA, LVSH, LWZ, LX, LXU, LX26, LX4, L1, NW, PH, PHM, PHU, PM, PMZ, PX, PXU, QA, QAB1, QAB3, QA26, QBT6, QBU2, QD, QE, QFE4, QH, QHE, QHP1, QHQ4, QH26, QIH1, QKA4, QM, QMC6, QMC8, QMD6, QME4, QMH, QNT, QNT2, QNT4, QNZ, QP, QPU, QT, QVSH, QWA4, QX, QXB, QXB1, QXC6, QXE, QXE4, QXE6, QXE8, QXU, QXW, QXW2, QX26, QX4, Q1, RAC, RD, RD4, REX4, RH, RHQ4, RH26, RMB4, RSK, RX, RXE, RXE4, RXU, RX4, R1, SAC, SAD2, SD, SDB1, SDB3, SDN, SDS, WME4, W1

1999.07.20

E

Ref. No.	Part No.	Description	Reqd. QTY				Serial No.	Type
			GX140X1					
			(1)	(2)	(3)	(4)		
22	95701-06012-00	BOLT, FLANGE, 6X12.....	2	(2)	2	2	-----	ETX, HX, HXE, HXE8, HXU, HX26, HX4, H1, LAX, LX, LXU, LX26, LX4, L1, PX PXU, QBT6, QBU2, QKA4, QMC8, QMD6, QMH, QNT, QNT2, QNT4, QWA4, QX, QXB QXB1, QXC6, QXE, QXE4, QXE6, QXE8, QXU, QXW, QXW2, QX26, QX4, Q1, RX RXE, RXE4, RXU, RX4, R1, SAD2, SMC7, SMC9, SM14, SWG4, SWX, SX, SXB, SXE SXE4, SXS4, SXU, SX4, S1, TX, TXU, TX26, TX4, T1, UX, UXU, U1, VA, VEBM VED1, VED2, VED3, VGE4, VHH4, VIH1, VMB3, VMS4, VMT, VPM4, VPR4, VSB1 VSD, VSDP, VSD1, VSW, VSX, VSX1, VSX3, VS3, VS4, VTD, VTD1, VTU1, VTX VTX1, VVSH, VX, VXE, VXE4, VXE6, VXG, VXM, VXP, VXU, VXU1, VX26, VX4, V1 WKT4, W1

2

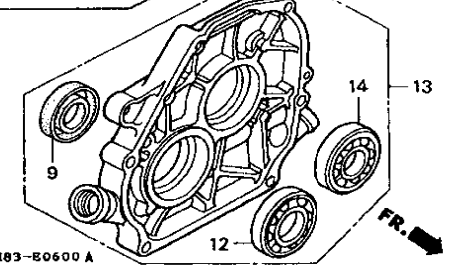
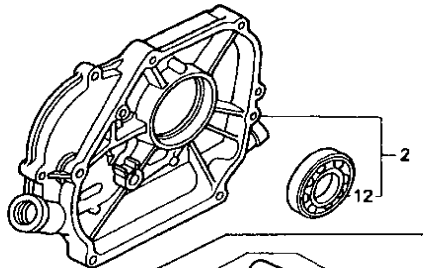
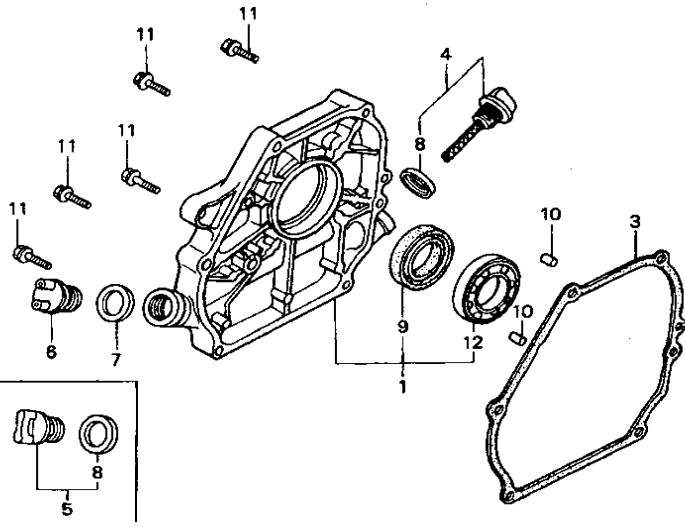


Service Item	F.R.T.
COVER ASSY., CRANKCASE.....	0.2
.PACKING, CASE COVER	
OIL SEAL, 25X41X6.....	0.3
BEARING, RADIAL BALL, 6205.....	0.4
.BEARING, RADIAL BALL, 6304	

Ref. No.	Part No.	Description	Reqd. QTY				Serial No.	Type
			(1)	(2)	(3)	(4)		
1	11300-ZE1-000	COVER ASSY., CRANKCASE.....	1	1	-	-	3405264	RAC, RD, RD4, RH, RHQ4, RSK, RX, RXE, RXE4, RX4, R1, SAC, SEE, SWX, SWZ
	11300-ZE1-632	.....	1	1	-	-	3451228	EN, ET, ETX, HH, HHQ4, HX, HX4, KTA, SD, SDB1, SDS, SD4, SE, SH, SHQ4, STA SX, SXB, SXE, SXE4, SX4, S1, VED, VED1, VED2, VED3, VS, VSX, VSX1, VS1 VS3, VS4, W1
	11300-ZE1-640	.....	-	1	-	-	3451132	H1 PH, PHU, PM, PMZ, PX, QA, QD, QE, QH, QHE, QHQ4, QM, QNT, QNZ, QT, QX, QXB QXE, QXE4, QXW, QX4, QZ, Q1, TH, THU, TX, TX4, T1, UH, UX, VA, VEBM, VH VHQ4, VSD, VSD1, VX, VXE, VXE4, VXG, VXU, VX4, V1
	11300-ZE1-010	.....	1	1	-	-	3405265	U1 RAC, RD, RD4, RH, RHQ4, RSK, RX, RXE, RXE4, RX4, R1, SAC, SEE, SWX, SWZ REX4, RH26, RMB4, RXU, SDN, SIH
	11300-ZE1-633	.....	1	-	1	-		BIH, HH26, HXE, HXE8, HXU, HX26, SAD2, SDB3, SDS2, SDS3, SD16, SHM SHR4, SMB4, SMC7, SMC9, SM14, SWG4, SXS4, SXU, VIH, VSB1, VSW, VSX3 VTD, VTD1, VTE2, VTX, VTX1, WIH1, WKT4, WMB0, WME4
	11300-ZE1-641	.....	1	1	-	-	3451229	EN, ET, ETX, HH, HHQ4, HX, HX4, KTA, SD, SDB1, SDS, SD4, SE, SH, SHQ4, STA SX, SXB, SXE, SXE4, SX4, S1, VED, VED1, VED2, VED3, VS, VSX, VSX1, VS1 VS3, VS4, W1
	11300-ZE1-641	.....	1	1	-	-	3451133	PH, PHU, PM, PMZ, PX, QA, QD, QE, QH, QHE, QHQ4, QM, QNT, QNZ, QT, QX, QXB QXE, QXE4, QXW, QX4, QZ, Q1, TH, THU, TX, TX4, T1, UH, UX, VA, VEBM, VH VHQ4, VSD, VSD1, VX, VXE, VXE4, VXG, VXU, VX4, V1
	11300-ZE1-641	.....	1	-	1	1		PHM, PXU, QAB1, QAB3, QA26, QBT6, QBU2, QFE4, QHP1, QH26, QIH1, QKA4 QMC6, QMC8, QMD6, QME4, QMH, QNT2, QNT4, QP, QPU, QVSH, QWA4, QXB1 QXC6, QXE6, QXE8, QXU, QXW2, QX26, TXU, TX26, UIH, UXU, VGE4, VHH4 VIH1, VMB3, VMS4, VPM4, VPR4, VSDP, VTU1, VVSH, VXE6, VXM, VXP, VXU1 VX26
2	11300-ZE1-612	COVER ASSY., CRANKCASE.....	1	1	-	-	3445151	LAX, LD, LD4, LH, LHQ4, LTA, LWZ, LX, LX4, L1
	11300-ZE1-613	.....	1	1	-	-	3445152	LAX, LD, LD4, LH, LHQ4, LTA, LWZ, LX, LX4, L1
	11381-ZB2-800	PACKING, CASE COVER.....	1	-	-	-	2526787	LDB1, LDB3, LDM, LHB3, LHW, LSJ4, LSS4, LVSH, LXU, LX26 VED2, VS3

Ref. No.	Part No.	Description	Reqd. QTY				Serial No.	Type
			1	2	3	4		
(3)	11381-ZE1-000	PACKING, CASE COVER.....	1	(1)	-	-	2598206	EN,ET,ETX,H1,KTA,LTA,LWZ,L1,PM,PMZ,QM,QT,QZ,Q1,R1,SEE,STA SWX,SWZ,S1,T1,U1,VEBM,V1,W1
	11381-ZH8-800	PACKING, CASE COVER (NON ASBEST)	1	(1)	-	-	2598207 3413169	EN,ET,ETX,KTA,LTA,LWZ,L1,PM,PMZ,QM,QT,QZ,Q1,R1,SEE,STA,SWX SWZ,S1,T1,VEBM,V1,W1
	11381-ZH8-801	.....	1	(1)	-	-	2526788 3413169 2598207	HH,HHQ4,HX,HX4,LD,LD4,LH,LHQ4,LX,LX4,PH,PHU,PX,QA,QD,QE,QH QHE,QHQ4,QNT,QNZ,QX,QXB,QXE,QXE4,QXW,QX4,RAC,RD,RD4,RH,RHQ4 RSK,RX,RXE,RXE4,RX4,SAC,SD,SDB1,SDS,SD4,SE,SH,SHQ4,SX,SBX SXE,SXE4,SX4,TH,THU,TX,TX4,UH,UX,VA,VED,VED1,VED3,VH,VHQ4 VS,VSD,VSD1,VSX,VSX1,VS1,VS4,VX,VXE,VXE4,VXG,VXU,VX4 VED2,VS3 H1,U1
4	11381-ZL0-000	PACKING, CASE COVER.....	1	(1)	-	-	3413170	BIH,HH26,HXE,HXE8,HXU,HX26,LDB1,LDB3,LDM,LHB3,LHW,LSJ4,LSS4 LVSH,LXU,LX26,NW,PHM,PXU,QAB1,QAB3,QA26,QBT6,QBU2,QFE4,QHP1 QH26,QIH1,QKA4,QMC6,QMC8,QMD6,QME4,QMH,QNT2,QNT4,QP,QPU QVSH,QWA4,QXC6,QXE6,QXE8,QXU,QXW2,QX26,SAD2,SDB3,SDN,SDS2 SDS3,SD16,SHM,SHR4,SIH,SMB4,SMC7,SMC9,SM14,SWG4,SXS4,SXU TXU,TX26,UIH,UXU,VGE4,VHH4,VIH,VIH1,VMB3,VMS4,VPM4,VPR4 VSB1,VSDP,VSU,VSX3,VTD,VTD1,VTE2,VTU1,VTX,VTX1,VVSH,VXE6 VXM,VXP,VXU1,VX26,WIH1,WKT4,WMB0,WME4
	11381-ZF0-000	.....	1	-	-	-	3413170 4067884	EN,ET,ETX,HH,HHQ4,HX,HX4,KTA,LD,LD4,LH,LHQ4,LTA,LWZ,LX,LX4 L1,PH,PHU,PM,PMZ,PX,QA,QD,QE,QH,QHE,QHQ4,QM,QNT,QNZ,QT,QX QXB,QXE,QXE4,QXW,QX4,QZ,Q1,R1,SAC,SD,SDB1,SDS,SD4,SE,SEE,SH SHQ4,STA,SWX,SWZ,SX,SBX,SXE,SXE4,SX4,S1,TH,THU,TX,TX4,T1,UH UX,VA,VEBM,VED,VED1,VED2,VED3,VH,VHQ4,VS,VSD,VSD1,VSX,VSX1 VS1,VS3,VS4,VX,VXE,VXE4,VXG,VXU,VX4,V1,W1
	11381-ZF0-003	.....	1	-	-	-	4067885	RAC,RD,RD4,RH,RHQ4,RSK,RX,RXE,RXE4,RX4 QXB1
4	15600-ZE1-000	CAP ASSY., OIL FILLER.....	1	1	-	-	2899521	RAC,RD,RD4,RH,RHQ4,RH26,RMB4,RSK,RX,RXE,RXE4,RX4 REX4,RXU
	15600-ZF0-000	.....	1	-	-	-	2898807	EN,ET,ETX,HH,HX,H1,KTA,LAX,LD,LH,LX,L1,PH,PX,QA,QD,QE,QH QHE,QNT,QX,QXB,QXE,QXW,Q1,RD,RH,RSK,RX,RXE,R1,SD,SE,SH,STA SX,SBX,SXE,S1,TH,TX,T1,UH,UX,U1,VA,VEBM,VED,VED1,VED2,VH,VS VSD,VSD1,VSX,VSX1,VS1,VS3,VS4,VX,VXE,V1,W1
	15600-ZE1-003	.....	1	1	-	-	2899522	VED3
4	15600-ZF0-000	.....	1	-	-	-	2898807	LTA,LWZ,PM,PMZ,QM,QT,QZ,RAC,SAC,SDS,SEE,SWX,SWZ
	15600-ZE1-003	.....	1	1	-	-	2899522	BIH,SIH,UIH
4	15600-ZF0-000	.....	1	-	-	-	2899522	EN,ET,ETX,HH,HX,H1,KTA,LAX,LD,LH,LX,L1,PH,PX,QA,QD,QE,QH QHE,QNT,QX,QXB,QXE,QXW,Q1,RD,RH,RSK,RX,RXE,R1,SD,SE,SH,STA SX,SBX,SXE,S1,TH,TX,T1,UH,UX,U1,VA,VEBM,VED,VED1,VED2,VH,VS VSD,VSD1,VSX,VSX1,VS1,VS3,VS4,VX,VXE,V1,W1
	15600-ZF0-003	.....	1	-	-	-	2898808	HHQ4,HH26,HXE,HXE8,HXU,HX26,HX4,LDB1,LDB3,LDM,LD4,LHB3,LHQ4 LHW,LSJ4,LSS4,LVSH,LXU,LX26,LX4,NW,PHM,PHU,PXU,QAB1,QAB3 QA26,QBT6,QBU2,QFE4,QHP1,QHQ4,QH26,QKA4,QMC6,QMC8,QMD6,QME4 QMH,QNT2,QNT4,QNZ,QP,QPU,QWA4,QXB1,QXC6,QXE4,QXE6,QXE8,QXU QXW2,QX26,QX4,RD4,REX4,RHQ4,RH26,RMB4,RXE4,RXU,RX4,SAD2 SDB1,SDB3,SDS2,SDS3,SD16,SD4,SHM,SHQ4,SHR4,SMB4,SMC7,SMC9 SM14,SWG4,SXE4,SXS4,SXU,SX4,THU,TXU,TX26,TX4,UXU,VGE4,VHH4 VHQ4,VIH1,VMB3,VMS4,VPM4,VPR4,VSB1,VSDP,VSU,VSX3,VTD,VTD1 VTE2,VTU1,VTX,VTX1,VVSH,VXE4,VXE6,VXG,VXM,VXP,VXU,VXU1,VX26 VX4,WKT4,WMB0,WME4
4	15600-ZF0-003	.....	1	-	-	-	2898808	BIH,QIH1,QVSH,SDN,SIH,UIH,VIH,WIH1
	15600-ZF0-003	.....	1	-	-	-	2898808	LTA,LWZ,PM,PMZ,QM,QT,QZ,RAC,SAC,SDS,SEE,SWX,SWZ

2



ZH83-E0600 A

ZH1E8512A

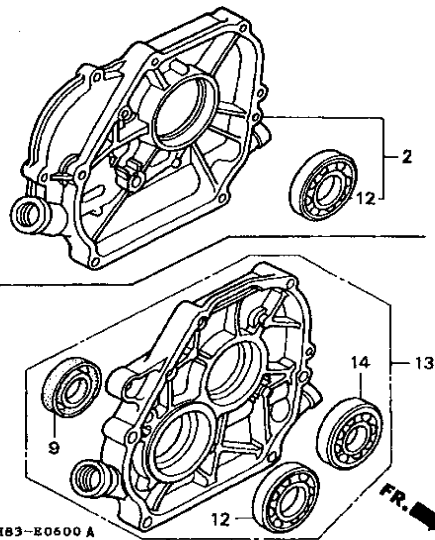
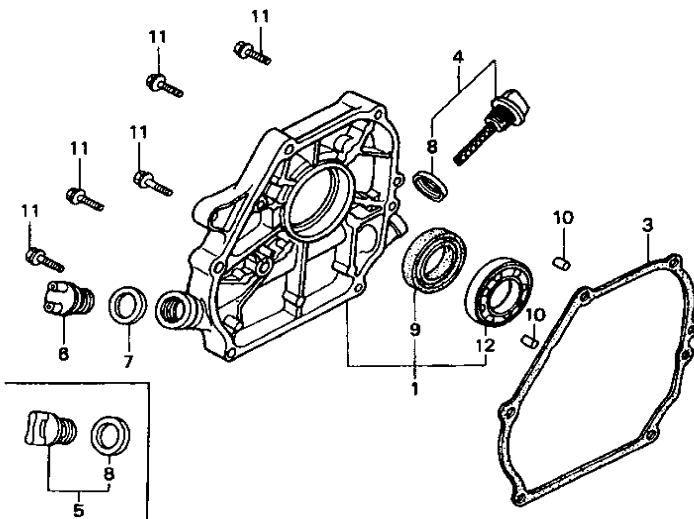
Service Item F.R.T.

Ref. No.	Part No.	Description	Reqd. QTY				Serial No.	Type
			(1)	(2)	(3)	(4)		
5	15600-ZG4-003	CAP ASSY., OIL FILLER.....	1	1	1			BIH, HHQ4, HH26, HXE, HXE8, HXU, HX26, HX4, LDB1, LDB3, LDM, LD4, LHB3, LHQ4, LHW, LSJ4, LSS4, LVSH, LXU, LX26, LX4, NW, PHM, PHU, PXU, QAB1, QAB3, QA26, QBT6, QBU2, QFE4, QHP1, QHQ4, QH26, QIH1, QKA4, QMC6, QMC8, QMD6, QME4, QMH, QNT2, QNT4, QNZ, QP, QPU, QVSH, QWA4, QXC6, QXE4, QXE6, QXE8, QXU, QXW2, QX26, QX4, RD4, REX4, RHQ4, RH26, RMB4, RXE4, RXU, RX4, SAD2, SDB1, SDB3, SDN, SDS2, SDS3, SD16, SD4, SHM, SHQ4, SHR4, SIH, SMB4, SMC7, SMC9, SM14, SWG4, SXE4, SXS4, SXU, SX4, THU, TXU, TX26, TX4, UIH, UXU, VGE4, VHH4, VHQ4, VIH, VIH1, VMB3, VMS4, VPM4, VPR4, VSB1, VSDP, VSW, VSX3, VTD, VTD1, VTE2, VTU1, VTX, VTX1, VVSH, VXE4, VXE6, VXG, VXM, VXP, VXU, VXU1, VX26, VX4, WIH1, WKT4, WMB0, WME4
			1	1			2899522	EN, ET, ETX, HH, HX, H1, KTA, LAX, LD, LH, LTA, LWZ, LX, L1, PH, PM, PMZ, PX, QA, QD, QE, QH, QHE, QM, QNT, QT, QX, QXB, QXE, QXW, QZ, Q1, RAC, RD, RH, RSK, RX, RXE, R1, SAC, SD, SDS, SE, SEE, SH, STA, SWX, SWZ, SX, SXB, SXE, S1, TH, TX, T1, UH, UX, U1, VA, VEBM, VED, VED1, VED2, VH, VS, VSD, VSD1, VSX, VSX1, VS1, VS3, VS4, VX, VXE, V1, W1
			1				3824882	QXB1
6	15620-ZG4-910	CAP, OIL FILLER.....	1	1				BIH, SIH, UIH, VED3
			1	1			2899521	EN, ET, ETX, HH, HX, H1, KTA, LAX, LD, LH, LTA, LWZ, LX, L1, PH, PM, PMZ, PX, QA, QD, QE, QH, QHE, QM, QNT, QT, QX, QXB, QXE, QXW, QZ, Q1, RAC, RD, RH, RSK, RX, RXE, R1, SAC, SD, SDS, SE, SEE, SH, STA, SWX, SWZ, SX, SXB, SXE, S1, TH, TX, T1, UH, UX, U1, VA, VEBM, VED, VED1, VED2, VH, VS, VSD, VSD1, VSX, VSX1, VS1, VS3, VS4, VX, VXE, V1, W1
			1				3824881	QXB1



Ref. No.	Part No.	Description	Reqd. QTY				Serial No.	Type
			(1)	(2)	(3)	(4)		
7	15621-896-010	PACKING, OIL FILLER CAP.....	1	1	-	-	2899521	EN,ET,ETX,HH,HX,H1,KTA,LAX,LD,LH,LTA,LWZ,LX,L1,PH,PM,PMZ,PX QA,QD,QE,QH,QHE,QM,QNT,QT,QX,QXB,QXE,QXW,QZ,Q1,RAC,RD,RH RSK,RX,RXE,R1,SAC,SD,SDS,SE,SEE,SH,STA,SWX,SWZ,SX,SXB,SXE S1,TH,TX,T1,UH,UX,U1,VA,VEBM,VED,VED1,VED2,VH,VS,VSD,VSD1 VSX,VSX1,VS1,VS3,VS4,VX,VXE,V1,W1
			1	-	-	-	3824881	QXB1
			-	1	-	-	2899521	BIH,SIH,UIH
8	15625-ZE1-000	PACKING, OIL FILLER CAP.....	1	1	-	-	2899521	EN,ET,ETX,HH,HX,H1,KTA,LAX,LD,LH,LTA,LWZ,LX,L1,PH,PM,PMZ,PX QA,QD,QE,QH,QHE,QM,QNT,QT,QX,QXB,QXE,QXW,QZ,Q1,RAC,RD,RH RSK,RX,RXE,R1,SAC,SD,SDS,SE,SEE,SH,STA,SWX,SWZ,SX,SXB,SXE S1,TH,TX,T1,UH,UX,U1,VA,VEBM,VED,VED1,VED2,VH,VS,VSD,VSD1 VSX,VSX1,VS1,VS3,VS4,VX,VXE,V1,W1
			1	-	-	-	3824881	QXB1
			1	-	-	-	2942671	VED3
	15625-ZE1-003	.....	2	-	2	2	2899521	BIH,SIH,UIH
			2	-	2	2	2899521	BIH,HHQ4,HH26,HXE,HXE8,HXU,HX26,HX4,LDB1,LDB3,LDM,LD4,LHB3 LHQ4,LHW,LSJ4,LSS4,LVSH,LXU,LX26,LX4,NW,PHM,PHU,PXU,QAB1 QAB3,QA26,QBT6,QBU2,QFE4,QHP1,QHQ4,QH26,QIH1,QKA4,QMC6,QMC8 QMD6,QME4,QMH,QNT2,QNT4,QNZ,QP,GPU,QVSH,QWA4,QXC6,QXE4,QXE6 QXE8,QXU,QXW2,QX26,QX4,RD4,REX4,RHQ4,RH26,RMB4,RXE4,RXU,RX4 SAD2,SDB1,SDB3,SDN,SDS2,SDS3,SD16,SD4,SHM,SHQ4,SHR4,SIH SMB4,SMC7,SMC9,SM14,SWG4,SXE4,SXS4,SXU,SX4,THU,TXU,TX26,TX4 UIH,UXU,VGE4,VHH4,VHQ4,VIH,VIH1,VMB3,VMS4,VP4,VPR4,VS1 VSDP,VSW,VSX3,VTD,VTD1,VTE2,VTU1,VTX,VTX1,VVSH,VXE4,VXE6 VXG,VXM,VXP,VXU,VXU1,VX26,VX4,WI1,WKT4,WMB0,WME4
			2	2	-	-	2899522	EN,ET,ETX,HH,HX,H1,KTA,LAX,LD,LH,LTA,LWZ,LX,L1,PH,PM,PMZ,PX QA,QD,QE,QH,QHE,QM,QNT,QT,QX,QXB,QXE,QXW,QZ,Q1,RAC,RD,RH RSK,RX,RXE,R1,SAC,SD,SDS,SE,SEE,SH,STA,SWX,SWZ,SX,SXB,SXE S1,TH,TX,T1,UH,UX,U1,VA,VEBM,VED,VED1,VED2,VH,VS,VSD,VSD1 VSX,VSX1,VS1,VS3,VS4,VX,VXE,V1,W1
			2	-	-	-	3824882	QXB1
			2	-	-	-	2942672	VED3
9	91202-883-005	OIL SEAL, 25X41X6.....	1	1	1	1	2899521	BIH,EN,ET,ETX,HH,HHQ4,HH26,HX,HXE,HXE8,HXU,HX26,HX4,H1,KTA LVSH,NW,PH,PHM,PHU,PM,PMZ,PX,PXU,QA,QAB1,QAB3,QA26,QBT6 QBU2,QD,QE,QFE4,QH,QHE,QHP1,QHQ4,QH26,QIH1,QKA4,QM,QMC6 QMC8,QMD6,QME4,QMH,QNT,QNT2,QNT4,QNZ,QP,GPU,QT,QVSH,QWA4,QX QXB,QXB1,QXC6,QXE,QXE4,QXE6,QXE8,QXU,QXW,QXW2,QX26,QX4,QZ Q1,RAC,RD,RD4,REX4,RH,RHQ4,RH26,RMB4,RSK,RX,RXE,RXE4,RXU RX4,R1,SAC,SAD2,SD,SDB1,SDB3,SDN,SDS,SDS2,SDS3,SD16,SD4,SE SEE,SH,SHM,SHQ4,SHR4,SIH,SMB4,SMC7,SMC9,SM14,STA,SWG4,SWX SWZ,VS1,VS3,VS4,VTD,VTD1,VTE2,VTU1,VTX,VTX1,VVSH,VX,VXE VXE4,VXE6,VXG,VXM,VXP,VXU,VXU1,VX26,VX4,V1,WI1,WKT4,WMB0 WME4,W1
10	94301-08140	PIN, DOWEL, 8X14.....	2	2	2	2	2899521	BIH,EN,ET,ETX,HH,HHQ4,HH26,HX,HXE,HXE8,HXU,HX26,HX4,H1,KTA LAX,LD,LDB1,LDB3,LDM,LD4,LH,LHB3,LHQ4,LHW,LSJ4,LSS4,LTA LVSH,LWZ,LX,LXU,LX26,LX4,L1,NW,PH,PHM,PHU,PM,PMZ,PX,PXU,QA QAB1,QAB3,QA26,QBT6,QBU2,QD,QE,QFE4,QH,QHE,QHP1,QHQ4,QH26 QIH1,QKA4,QM,QMC6,QMC8,QMD6,QME4,QMH,QNT,QNT2,QNT4,QNZ,QP GPU,QT,QVSH,QWA4,QX,QXB,QXB1,QXC6,QXE,QXE4,QXE6,QXE8,QXU QXW,QXW2,QX26,QX4,QZ,Q1,RAC,RD,RD4,REX4,RH,RHQ4,RH26,RMB4 RSK,RX,RXE,RXE4,RXU,RX4,R1,SAC,SAD2,SD,SDB1,SDB3,SDN,SDS,W1 W1

2



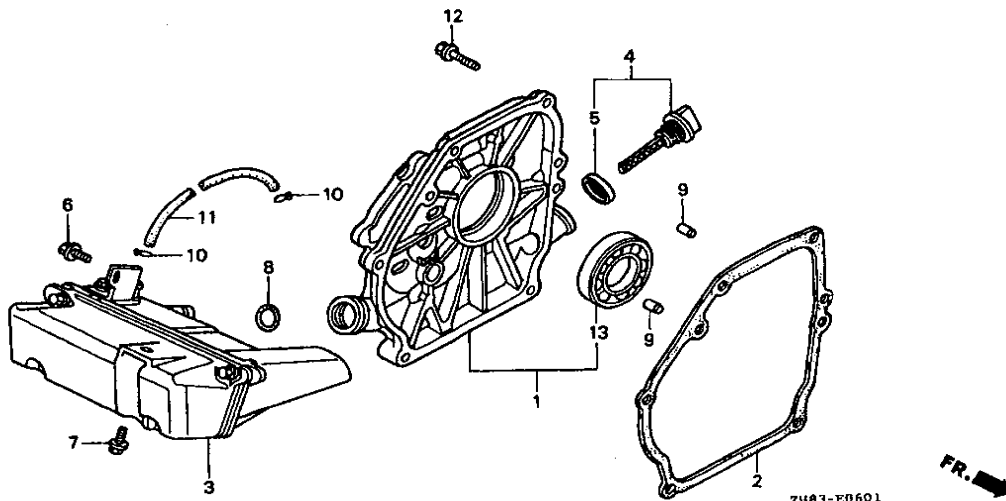
ZH83-E0600 A

ZH128000 A

Service Item F.R.T.

Ref. No.	Part No.	Description	Reqd. QTY				Serial No.	Type
			6X160K1 (1)	(2)	(3)	(4)		
11	95700-08032-00	BOLT, FLANGE, 8X32.....	6	6	6	-	-----	BIH,HH,HX,HXU,H1,LD,LH,LTA,LWZ,LX,LXU,L1,PH,PM,PMZ,PX,PXU,QA,QD,QE,QH,QHE,QM,QT,QX,QXB1,QXE,QXE8,QXU,QZ,Q1,RAC,RD,RH,RX,RXE,RXU,R1,SAC,SD,SDS,SE,SEE,SH,SIH,STA,SWX,SWZ,SX,SXE,SXU,S1,TH,TX,TXU,T1,UH,UIH,UX,UXU,U1,VA,VEBM,VED,VED1,VED2,VH,VS,VSD1,VSX,VS3,VX,VXE,V1,W1
	95701-08032-00	.....	6	-	6	6	-----	EN,ET,ETX,HHQ4,HH26,HXE,HXE8,HX26,HX4,KTA,LAX,LDB1,LDB3,LDM,LD4,LHB3,LHQ4,LHW,LSJ4,LSS4,LVSH,LX26,LX4,NW,PHM,PHU,QAB1,QAB3,QA26,QBT6,QBU2,QFE4,QHP1,QHQ4,QH26,QIH1,QKA4,QMC6,QMC8,QMD6,QME4,QMH,QNT,QNT2,QNT4,QNZ,QP,QPU,QVSH,QWA4,QXB,QXC6,QXE4,QXE6,QXW,QXW2,QX26,QX4,RD4,REX4,RHQ4,RH26,RMB4,RSK,RXE4,RX4,SAD2,SDB1,SDB3,SDN,SDS2,SDS3,SD16,SD4,SHM,SHQ4,SHR4,SMB4,SMC7,SMC9,SM14,SWG4,AXB,SXE4,SXS4,SX4,THU,TX26,TX4,VED3,VGE4,VHH4,VHQ4,VIH,VIH1,VMB3,VMS4,VPM4,VPR4,VS1,VSD,VSDP,VSX,VSX1,VSX3,VS1,VS4,VD1,VD1,VD1,VTE2,VTU1,VTX1,VVSH,VXE4,VXE6,VXG,VXM,VXP,VXU,VXU1,VX26,VX4,WIH1,WKT4,WMB0,WME4
12	96100-62050-00	BEARING, RADIAL BALL, 6205....	1	1	1	1	-----	BIH,EN,ET,ETX,HH,HHQ4,HH26,HX,HXE,HXE8,HXU,HX26,HX4,H1,KTA,LAX,LD,LDB1,LDB3,LDM,LD4,LH,LHB3,LHQ4,LHW,LSJ4,LSS4,LTA,LVSH,LWZ,LX,LXU,LX26,LX4,L1,NW,PH,PHM,PHU,PM,PMZ,PX,PXU,QA,QAB1,QAB3,QA26,QBT6,QBU2,QD,QE,QFE4,QH,QHE,QHP1,QHQ4,QH26,QIH1,QKA4,QM,QMC6,QMC8,QMD6,QME4,QMH,QNT,QNT2,QNT4,QNZ,QP,QPU,QT,QVSH,QWA4,QX,QXB,QXB1,QXC6,QXE,QXE4,QXE6,QXE8,QXU,QXW,QXW2,QX26,QX4,QZ,Q1,RAC,RD,RD4,REX4,RH,RHQ4,RH26,RMB4,RSK,RX,RXE,RXE4,RXU,RX4,R1,SAC,SAD2,SD,SDB1,SDB3,SDN,SDS,W1
13	11300-2L0-690	COVER ASSY., CRANKCASE.....	1	-	-	-	-----	NW
14	91001-6F6-004	BEARING, RADIAL BALL, 6304....	1	-	-	-	-----	NW

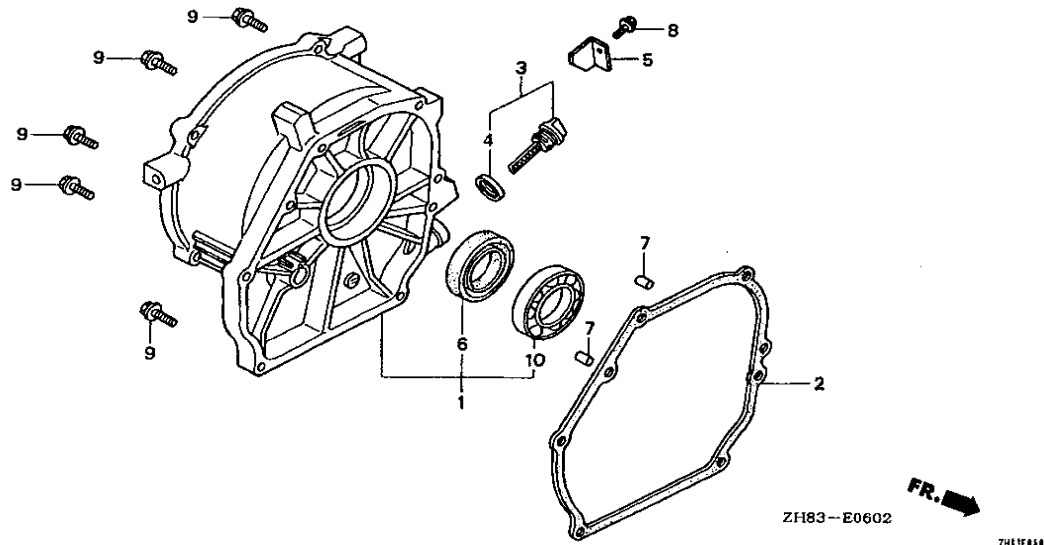
**Crankcase cover (2)**



Service Item	F.R.T.
COVER ASSY., CRANKCASE.....	0.6
.PACKING, CASE COVER	
TANK ASSY., OIL.....	0.2
.O-RING, 15.8X2.4	
TUBE, 3.5X130.....	0.1
BEARING, RADIAL BALL, 6205.....	0.7

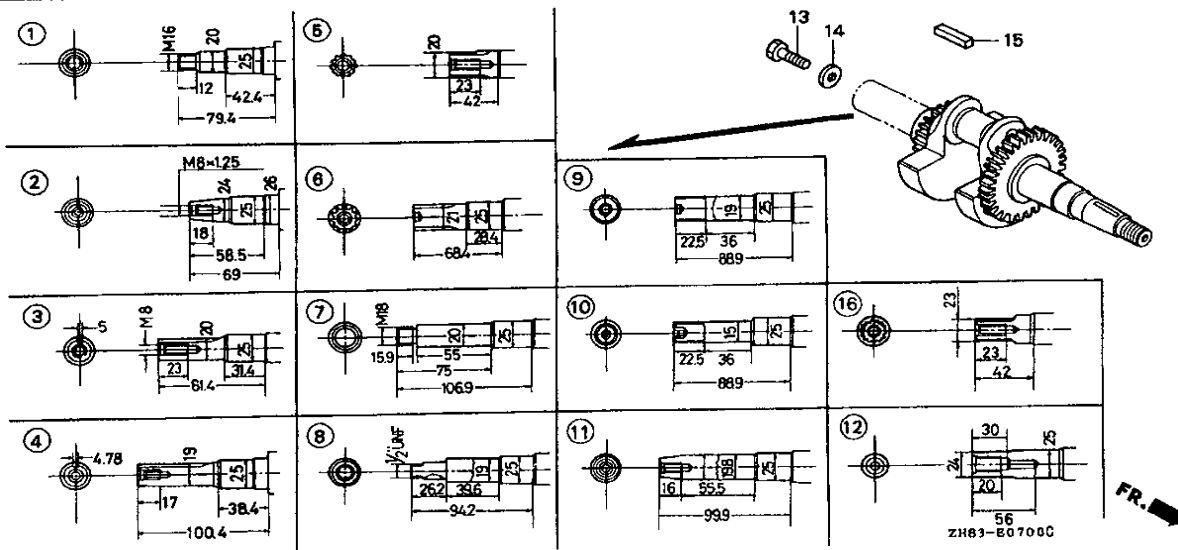
Ref. No.	Part No.	Description	Reqd. QTY				Serial No.	Type
			(1)	(2)	(3)	(4)		
1	11300-ZK8-V00	COVER ASSY., CRANKCASE.....	1	-	-	-	ARC6	
2	11381-ZK8-V00	PACKING, CASE COVER.....	1	-	-	-	ARC6	
3	15500-ZK8-V00	TANK ASSY., OIL.....	1	-	-	-	ARC6	
4	15600-ZE1-003	CAP ASSY., OIL FILLER.....	1	-	-	-	ARC6	
5	15625-ZE1-003	PACKING, OIL FILLER CAP.....	1	-	-	-	ARC6	
6	90014-952-000	BOLT, FLANGE, 6X14.....	1	-	-	-	ARC6	
7	90029-888-000	BOLT, FLANGE, 6X16.....	1	-	-	-	ARC6	
8	91304-MJ0-003	O-RING, 15.8X2.4 (SHOWA).....	1	-	-	-	ARC6	
9	94303-08140	PIN, DOWEL, 8X14.....	2	-	-	-	ARC6	
10	95002-02070	CLIP, TUBE (B7).....	2	-	-	-	ARC6	
11	95005-35130-10	TUBE, 3.5X130 (95005-35001-10M)	1	-	-	-	ARC6	
12	95701-08032-00	BOLT, FLANGE, 8X32.....	6	-	-	-	ARC6	
13	96100-62050-00	BEARING, RADIAL BALL, 6205.....	1	-	-	-	ARC6	





Service Item	F.R.T.
COVER ASSY., CRANKCASE.....	0.2
.PACKING, CASE COVER	
OIL SEAL, 25X41X6.....	0.3
BEARING, RADIAL BALL, 6205.....	0.4

Ref. No.	Part No.	Description	Reqd. QTY				Serial No.	Type
			(1)	(2)	(3)	(4)		
1	11300-ZH8-F00	COVER ASSY., CRANKCASE.....	1	-	-	-	-----	VMT
2	11381-ZH8-801	PACKING, CASE COVER (NON ASBEST)	1	-	-	-	-----	VMT
3	15600-ZE1-003	CAP ASSY., OIL FILLER.....	1	-	-	-	-----	VMT
4	15625-ZE1-003	PACKING, OIL FILLER CAP.....	1	-	-	-	-----	VMT
5	50339-ZR4-T60	PLATE, GUARD.....	1	-	-	-	-----	VMT
6	91202-883-005	OIL SEAL, 25X41X6.....	1	-	-	-	-----	VMT
7	94301-08140	PIN, DOWEL, 8X14.....	2	-	-	-	-----	VMT
8	95701-06012-00	BOLT, FLANGE, 6X12.....	1	-	-	-	-----	VMT
9	95701-08032-00	BOLT, FLANGE, 8X32.....	6	-	-	-	-----	VMT
10	96100-62050-00	BEARING, RADIAL BALL, 6205.....	1	-	-	-	-----	VMT

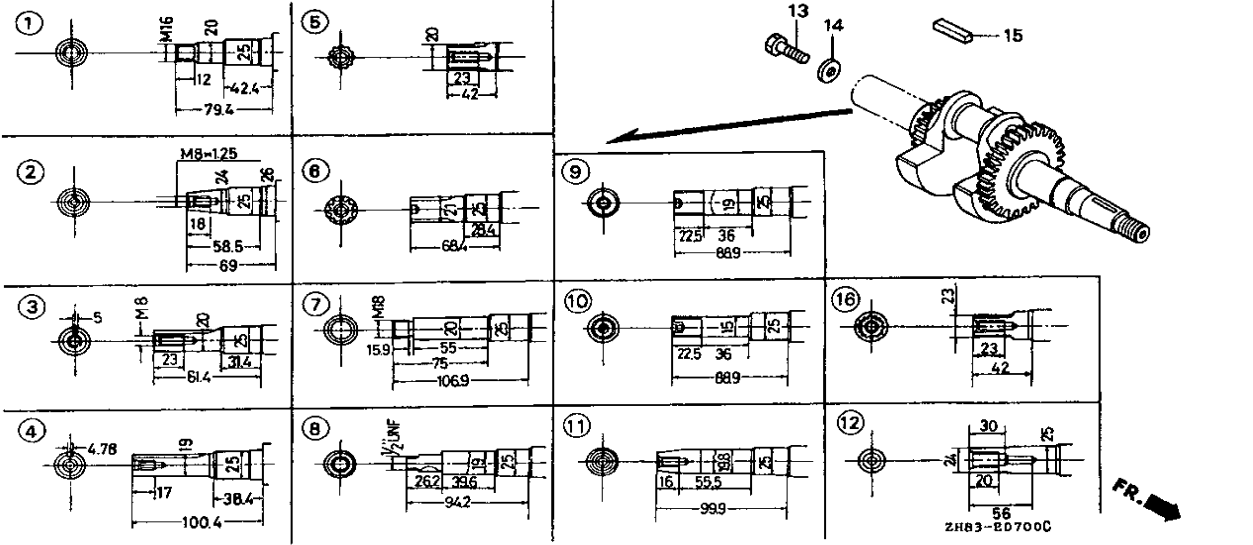


Service Item	F.R.T.
CRANKSHAFT COMP.....	1.1



Ref. No.	Part No.	Description	Reqd. QTY			Serial No.	Type
			(1)	(2)	(3)		
1	13310-YB4-010	CRANKSHAFT COMP.....	1	-	-	-----	BIH,WIH1,WME4
2	13310-ZB2-000	CRANKSHAFT COMP.....	1	-	-	-----	EN,ET,ETX,VEBM,VED,VED1,VED2,VED3,VMT,VTE2
3	13310-ZE1-000	CRANKSHAFT COMP.....	1	1	1	-----	RAC,RD,RD4,REX4,RH,RHQ4,RH26,RMB4,RSK,RX,RXE,RXE4,RXU,RX4 R1,SAC,SAD2,SD,SDB1,SDB3,SDN,SDS,SDS2,SDS3,SD16,SD4,SE,SEE SH,SHM,SHQ4,SHR4,SIH,SMB4,SMC7,SMC9,SM14,STA,SWG4,SWX,SWZ SX,SXB,SXE,SXE4,SXS4,SXU,SX4,S1
4	13310-ZE1-601	CRANKSHAFT COMP.....	1	1	1	-----	QA,QAB1,QAB3,QA26,QBT6,QBU2,QD,QE,QFE4,QH,QHE,QHP1,QHQ4 QH26,QIH1,QKA4,QM,QMC6,QMC8,QMD6,QME4,QMH,QNT,QNT2,QNT4,QNZ QP,QPU,QT,QVSH,QWA4,QX,QXB,QXB1,QXC6,QXE,QXE4,QXE8,QXU QXW,QXW2,QX26,QX4,QZ,Q1
5	13310-ZE1-610	CRANKSHAFT COMP.....	1	1	-	-----	LAX,LD,LDB1,LDB3,LDM,LD4,LH,LHB3,LHQ4,LHW,LSJ4,LSS4,LTA LVSH,LWZ,LX,LXU,LX26,LX4,L1
6	13310-ZE1-621	CRANKSHAFT COMP.....	1	-	-	4157870	HH,HHQ4,HH26,HX,HXE,HX26,HX4 H1
	13310-ZE1-622	.....	1	-	-	4157871	HH,HHQ4,HH26,HX,HXE,HX26,HX4 HXE8,HXU
7	13310-ZE1-630	CRANKSHAFT COMP.....	1	1	1	-----	BIH,WKT4,WMB0,W1
8	13310-ZE1-641	CRANKSHAFT COMP.....	1	1	1	-----	UH,UIH,UJ,UJU,U1
9	13310-ZE1-650	CRANKSHAFT COMP.....	1	-	-	-----	PH,PHM,PHU,PM,PMZ,PX,PXU
10	13310-ZE1-660	CRANKSHAFT COMP.....	1	1	-	-----	TH,THU,TX,TXU,TX26,TX4,T1
11	13310-ZE1-670	CRANKSHAFT COMP.....	1	1	1	-----	VA,VGE4,VH,VHH4,VHQ4,VIH,VIH1,VMB3,VMS4,VPM4,VPR4,VS,USB1 VSD,VSDP,VSD1,VSU,VSX1,VSX3,VS1,VS3,VS4,VTD,VTD1,VTU1 VTX,VTX1,VVSH,VX,VXE,VXE4,VXE6,VXG,VXM,VXP,VXU,VXU1,VX26 VX4,V1
12	13310-ZH8-R00	CRANKSHAFT COMP.....	1	-	-	-----	KTA
13	90003-ZE1-000	BOLT, HEX., 5/16".....	1	(1)	1	-----	QIH1,QT,QVSH,QZ,Q1
	92000-08025-0A	BOLT, HEX., 8X25.....	1	(1)	1	-----	LTA,L1,SIH,STA,S1

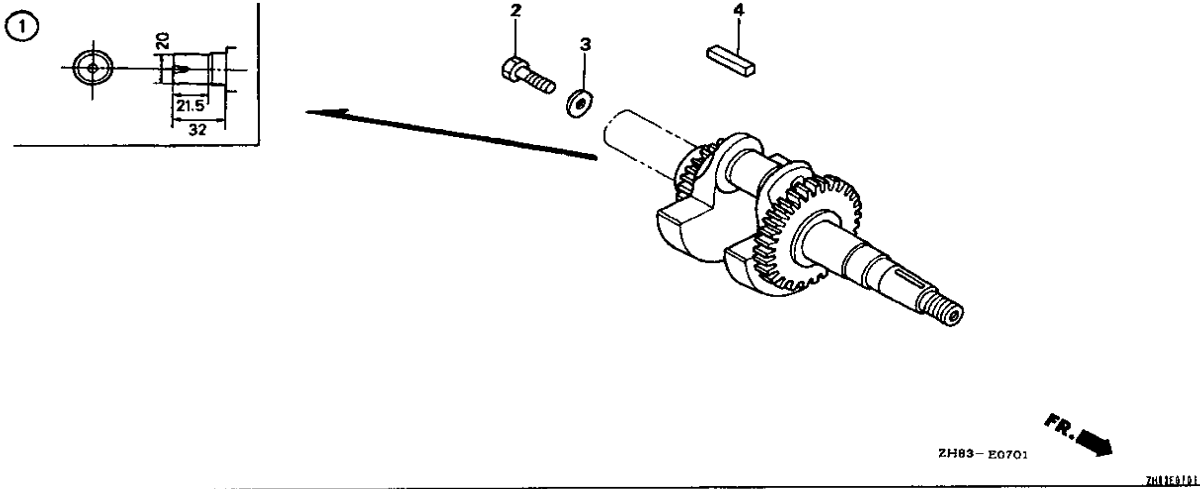
Service Item F.R.T.



ZH83-ED700C

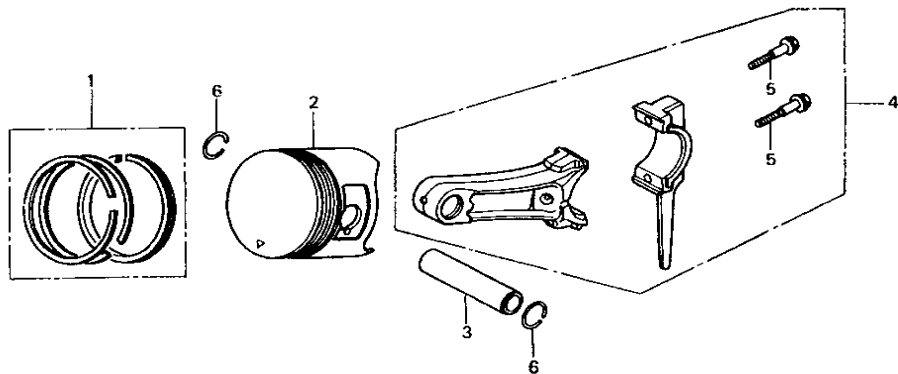
Ref. No.	Part No.	Description	Reqd. QTY				Serial No.	Type
			(1)	(2)	(3)	(4)		
13)	92101-08025-0A	BOLT, HEX., 8X25.....	1	-	-	-	LHW, SHR4, SM14	
14	90473-842-000	WASHER, 8MM.....	1	(1)	1	-	LHW, LSJ4, LSS4, LTA, L1, QIH1, QT, QVSH, QZ, Q1, SHR4, SIH, SM14, STA S1	
15	90741-883-810	KEY, 5X5X33.....	1	(1)	1	-	RD, RD4, SAD2, SD, SDB1, SDB3, SDN, SDS, SDS2, SDS3, SD16, SD4, SE, SEE SH, SHM, SHQ4, SHR4, SIH, SMC7, SMC9, SM14, STA, SWG4, SWX, SWZ, SX, SXB SXE, SXE4, SXS4, SXU, SX4, S1	
	90745-ZE1-600	KEY, 4.78X4.78X38.....	1	(1)	1	-	QA, QAB1, QAB3, QA26, QBT6, QBU2, QD, QE, QFE4, QHP1, QIH1, QKA4, QMC6 QMC8, QMD6, QMH, QNT2, QNT4, QPU, QT, QVSH, QWA4, QX, QXB, QXB1, QXC6 QXE, QXE4, QXE6, QXE8, QXU, QXW, QXW2, QX26, QX4, QZ, Q1	
			1	-	-	2389562	QNT	
16	13310-ZK8-V00	CRANKSHAFT COMP.....	1	-	-	-	ARC6	

Service Item	F.R.T.
CRANKSHAFT COMP.....	1.1



**2**

Ref. No.	Part No.	Description	Reqd. QTY				Serial No.	Type
			(1)	(2)	(3)	(4)		
1	13310-ZH8-690	CRANKSHAFT COMP.....	1	-	-	-	-----	NW
2	92101-08025-0A	BOLT, HEX., 8X25.....	1	-	-	-	-----	NW
3	90473-842-000	WASHER, 8MM.....	1	-	-	-	-----	NW
4	90741-883-810	KEY, 5X5X33.....	1	-	-	-	-----	NW



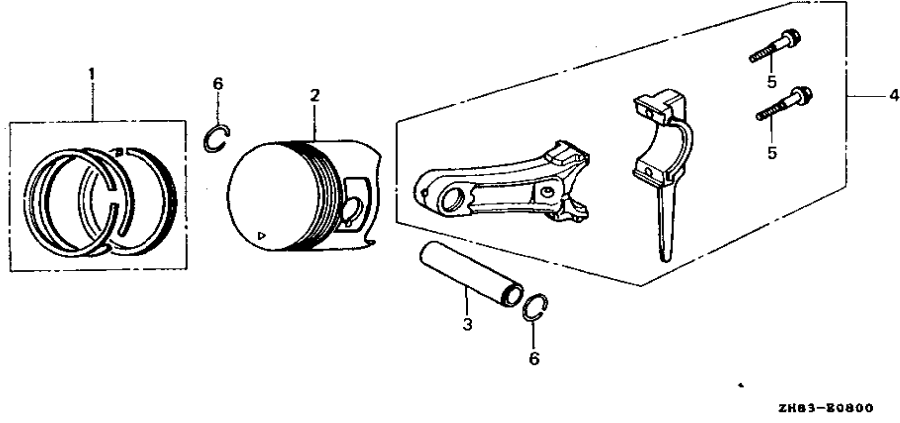
ZHB3-20800

Service Item	F.R.T.
RING SET, PISTON.....	1.1
.PISTON	
ROD ASSY., CONNECTING.....	1.0
(INC. RELATIVE PART)	

Ref. No.	Part No.	Description	Reqd. QTY				Serial No.	Type
			GX160K1					
			(1)	(2)	(3)	(4)		
1	13010-ZF1-023	RING SET, PISTON (STD.).....	1	1	-	-	5495899	ARC6,HH,HHQ4,HH26,HX,HXE,HX26,HX4,KTA,LD,LDB1,LDB3,LDM,LD4,LH,LHB3,LHQ4,LSJ4,LSS4,LWZ,LX,LX26,LX4,L1,NW,PH,PHM,PMZ,PX,QA,QAB1,QAB3,QA26,QBT6,QD,QE,QFE4,QH,QHE,QHP1,QHQ4,QH26,QKA4,QM,QMC6,QMC8,QMD6,QME4,QMH,QNT,QNT4,QNZ,QP,QPU,QT,QX,QXB1,QXC6,QXE,QXE4,QXE6,QXW,QXW2,QX26,QX4,Q1,REX4,RH26,RMB4,RX,RXE,R1,SD,SDB1,SDB3,SDN,SDS,SDS2,SDS3,SD16,SD4,SE,SEE,SH,SHM,SHQ4,SMC7,SMC9,SX,SBX,SXE,SXE4,SX4,S1,TH,TX,TX26,TX4,UH,UX,VXE6,VXG,VXM,W1
			1	1	1	-		BIH,EN,ET,ETX,H1,LAX,LTA,PM,QBU2,QNT2,QXB,QZ,RAC,SAC,SAD2,SIH,SMB4,STA,SWX,SWZ,T1,UIH,U1,VA,VHQ4,VSU,VS1,VTE2,VXE,V1
			1	-	-	-	4733210	PHU,RD,RD4,RH,RHQ4,RSK,RXE4,RX4,THU,VEBM,VED,VED1,VED2,VED3,VH,VHH4,VMS4,VS,VSX,VSX1,VS3,VS4,VX,VXE4,VXU,VX26,VX4,WMB0
			1	-	-	-	4764118	SWG4
			-	-	-	1	2000029	
	13010-ZF1-024	.....	1	1	-	-	5495899	ARC6,HH,HHQ4,HH26,HX,HXE,HX26,HX4,KTA,LD,LDB1,LDB3,LDM,LD4,LH,LHB3,LHQ4,LSJ4,LSS4,LWZ,LX,LX26,LX4,L1,NW,PH,PHM,PMZ,PX,QA,QAB1,QAB3,QA26,QBT6,QD,QE,QFE4,QH,QHE,QHP1,QHQ4,QH26,QKA4,QM,QMC6,QMC8,QMD6,QME4,QMH,QNT,QNT4,QNZ,QP,QPU,QT,QX,QXB1,QXC6,QXE,QXE4,QXE6,QXW,QXW2,QX26,QX4,Q1,REX4,RH26,RMB4,RX,RXE,R1,SD,SDB1,SDB3,SDN,SDS,SDS2,SDS3,SD16,SD4,SE,SEE,SH,SHM,SHQ4,SMC7,SMC9,SX,SBX,SXE,SXE4,SX4,S1,TH,TX,TX26,TX4,UH,UX,VXE6,VXG,VXM,W1
			1	1	1	-		BIH,EN,ET,ETX,H1,LAX,LTA,PM,QBU2,QNT2,QXB,QZ,RAC,SAC,SAD2,SIH,SMB4,STA,SWX,SWZ,T1,UIH,U1,VA,VHQ4,VSD,VSU,VS1,VTE2,VXE,V1
			1	-	-	-	4733210	PHU,RD,RD4,RH,RHQ4,RSK,RXE4,RX4,THU,VEBM,VED,VED1,VED2,VED3,VH,VHH4,VMS4,VS,VSX,VSX1,VS3,VS4,VX,VXE4,VXU,VX26,VX4,WMB0
			1	-	-	-	4764118	SWG4
			-	-	-	1	2000029	







ZH63-80800



ZH02E111

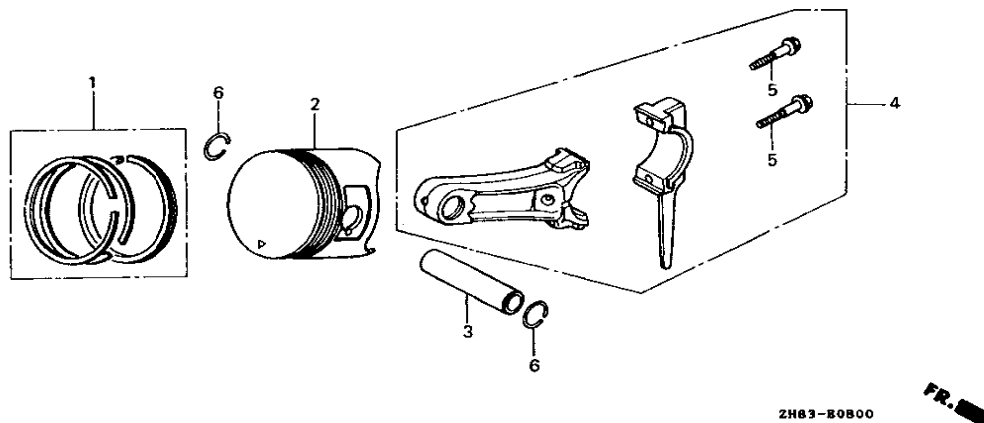
Service	Item	F.R.T.

2

Ref. No.	Part No.	Description	Reqd. QTY				Serial No.	Type
			(1)	(2)	(3)	(4)		
(1)	13013-ZF1-023	RING SET, PISTON (0.75).....	(1)	(1)	-	-	5495899	ARC6, HH, HHQ4, HH26, HX, HXE, HX26, HX4, KTA, LD, LDB1, LDB3, LDM, LD4, LH, LHB3, LHQ4, LSJ4, LSS4, LWZ, LX, LX26, LX4, L1, NW, PH, PHM, PMZ, PX, QA, QAB1, QAB3, QA26, QBT6, QD, QE, QFE4, QH, QHE, QHP1, QHQ4, QH26, QKA4, QM, QMC8, QMD6, QME4, QMH, QNT, QNT4, QNZ, QP, QPU, QT, QX, QXB1, QXC6, QXE, QXE4, QXE6, QXW, QXW2, QX26, QX4, Q1, REX4, RH26, RMB4, RX, RXE, R1, SD, SDB1, SDB3, SDN, SDS, SDS2, SDS3, SD16, SD4, SE, SEE, SH, SHM, SHQ4, SMC7, SMC9, SX, SXB, SXE, SXE4, SX4, S1, TH, TX, TX26, TX4, UH, UX, VXE6, VXG, VXM, W1
			(1)	(1)	(1)	-		BIH, EN, ET, ETX, H1, LAX, LTA, PM, QBU2, QMC6, QNT2, QXB, QZ, RAC, SAC, SAD2, SIH, SMB4, STA, SWX, SWZ, T1, UIH, U1, VA, VHQ4, VSW, VS1, VTD, VTD1, VTE2, VXE, V1
			(1)	-	-	-	4733210	PHU, RD, RD4, RH, RHQ4, RSK, RXE4, RX4, THU, VEBM, VED, VED1, VED2, VED3, VH, VHH4, VMS4, VS, VSX, VSX1, VS3, VS4, VX, VXE4, VXU, VX26, VX4, WMBO, SWG4
			(1)	-	-	(1)	4764118	2000029
	13013-ZF1-024	.....	(1)	(1)	(1)	(1)		ARC6, BIH, EN, ET, ETX, HH, HHQ4, HH26, HX, HXE, HXE8, HXU, HX26, HX4, H1, KTA, LAX, LD, LDB1, LDB3, LDM, LD4, LH, LHB3, LHQ4, LSJ4, LSS4, LTA, LWZ, LX, LXU, LX26, LX4, L1, NW, PH, PHM, PM, PMZ, PX, PXU, QA, QAB1, QAB3, QA26, QBT6, QBU2, QD, QE, QFE4, QH, QHE, QHP1, QHQ4, QH26, QKA4, QM, QMC6, QMC8, QMD6, QME4, QMH, QNT, QNT2, QNT4, QNZ, QP, QPU, QT, QX, QXB, QXB1, QXC6, QXE, QXE4, QXE6, QXE8, QXU, QXW, QXW2, QX26, QX4, QZ, Q1, RAC, REX4, RH26, RMB4, RX, RXE, RXU, R1, SAC, SAD2, SD, SDB1, SDB3, SDN, SDS, SDS2, SDS3, SD16, SD4, SE, SEE, SH, SHM, SHQ4, SIH, SMB4, SMC7, SMC9, STA, SWX, SWZ, SX, SXB, SXE, SXE4, SXU, SX4, S1, TH, TX, TXU, TX26, TX4, T1, UH, UIH, UX, UXU, U1, VA, VHQ4, VSDP, VSW, VS1, VTE2, VXE, VXE6, VXG, VXM, VXP, V1, W1
			(1)	-	-	-	4733210	PHU, RD, RD4, RH, RHQ4, RSK, RXE4, RX4, THU, VEBM, VED, VED1, VED2, VED3, VH, VHH4, VMS4, VS, VSX, VSX1, VS3, VS4, VX, VXE4, VXU, VX26, VX4, WMBO, SWG4
			(1)	-	-	-	4764118	SWG4

Ref. No.	Part No.	Description	Reqd. QTY				Serial No.	Type
			(1)	(2)	(3)	(4)		
(1)	13010-ZH8-941	RING SET, PISTON (STD.).....	1	1	-	-	5495900	ARC6,HH,HHQ4,HH26,HX,HXE,HX26,HX4,KTA,LD,LDB1,LDB3,LDM,LD4,LH,LHB3,LHQ4,LSJ4,LSS4,LWZ,LX,LX26,LX4,L1,NW,PH,PHM,PMZ,PX,QA,QAB1,QAB3,QA26,QBT6,QD,QE,QFE4,QH,QHE,QHP1,QHQ4,QH26,QKA4,QM,QMC8,QMD6,QME4,QMH,QNT,QNT4,QNZ,QP,QPU,QT,QX,QXB1,QXC6,QXE,QXE4,QXE6,QXW,QXW2,QX26,QX4,Q1,REX4,RH26,RMB4,RX,RXE,R1,SD,SDB1,SDB3,SDN,SDS,SDS2,SDS3,SD16,SD4,SE,SEE,SH,SHM,SHQ4,SMC7,SMC9,SX,AXB,SXE,SXE4,SX4,S1,TH,TX,TX26,TX4,UH,UX,VXE6,VXG,VXM,W1
			1	-	1	-		BIH,HXE8,HXU,LHW,LVSH,LXU,PXU,QIH1,QMC6,QVSH,QWA4,QXE8,QXU,RXU,SHR4,SIH,SM14,SXS4,SXU,TXU,UIH,UXU,VGE4,VIH,VIH1,VMB3,VMT,VPM4,VPR4,VSB1,VSD,VSD1,VSX3,VTD,VTD1,VTU1,VTX,VTX1,VVSH,VXU1,WIH1,WKT4,WME4
			1	-	-	-	4733211	PHU,RD,RD4,RH,RHQ4,RSK,RXE4,RX4,THU,VEBM,VED,VED1,VED2,VED3,VH,VHH4,VMS4,VS,VSX,VSX1,VS3,VS4,VX,VXE4,VXU,VX26,VX4,WMB0,SWG4
			1	-	-	-	4764119	
			-	-	-	1	2000030	
	13010-ZH8-942	.....	1	1	-	-	5495900	ARC6,HH,HHQ4,HH26,HX,HXE,HX26,HX4,KTA,LD,LDB1,LDB3,LDM,LD4,LH,LHB3,LHQ4,LSJ4,LSS4,LWZ,LX,LX26,LX4,L1,NW,PH,PHM,PMZ,PX,QA,QAB1,QAB3,QA26,QBT6,QD,QE,QFE4,QH,QHE,QHP1,QHQ4,QH26,QKA4,QM,QMC8,QMD6,QME4,QMH,QNT,QNT4,QNZ,QP,QPU,QT,QX,QXB1,QXC6,QXE,QXE4,QXE6,QXW,QXW2,QX26,QX4,Q1,REX4,RH26,RMB4,RX,RXE,R1,SD,SDB1,SDB3,SDN,SDS,SDS2,SDS3,SD16,SD4,SE,SEE,SH,SHM,SHQ4,SMC7,SMC9,SX,AXB,SXE,SXE4,SX4,S1,TH,TX,TX26,TX4,UH,UX,VXE6,VXG,VXM,W1
			1	-	1	-		BIH,HXE8,HXU,LHW,LVSH,LXU,PXU,QIH1,QMC6,QVSH,QWA4,QXE8,QXU,RXU,SHR4,SIH,SM14,SXS4,SXU,TXU,UIH,UXU,VGE4,VIH,VIH1,VMB3,VMT,VPM4,VPR4,VSB1,VSD,VSD1,VSX3,VTD,VTD1,VTU1,VTX,VTX1,VVSH,VXU1,WIH1,WKT4,WME4
			1	-	-	-	4733211	PHU,RD,RD4,RH,RHQ4,RSK,RXE4,RX4,THU,VEBM,VED,VED1,VED2,VED3,VH,VHH4,VMS4,VS,VSX,VSX1,VS3,VS4,VX,VXE4,VXU,VX26,VX4,WMB0,SWG4
			1	-	-	-	4764119	
			-	-	-	1	2000030	
	13011-ZH8-941	RING SET, PISTON (0.25).....	(1)	(1)	-	-	5495900	ARC6,HH,HHQ4,HH26,HX,HXE,HX26,HX4,KTA,LD,LDB1,LDB3,LDM,LD4,LH,LHB3,LHQ4,LSJ4,LSS4,LWZ,LX,LX26,LX4,L1,NW,PH,PHM,PMZ,PX,QA,QAB1,QAB3,QA26,QBT6,QD,QE,QFE4,QH,QHE,QHP1,QHQ4,QH26,QKA4,QM,QMC8,QMD6,QME4,QMH,QNT,QNT4,QNZ,QP,QPU,QT,QX,QXB1,QXC6,QXE,QXE4,QXE6,QXW,QXW2,QX26,QX4,Q1,REX4,RH26,RMB4,RX,RXE,R1,SD,SDB1,SDB3,SDN,SDS,SDS2,SDS3,SD16,SD4,SE,SEE,SH,SHM,SHQ4,SMC7,SMC9,SX,AXB,SXE,SXE4,SX4,S1,TH,TX,TX26,TX4,UH,UX,VXE6,VXG,VXM,W1
			(1)	-	(1)	-		BIH,HXE8,HXU,LHW,LVSH,LXU,PXU,QIH1,QMC6,QVSH,QWA4,QXE8,QXU,RXU,SHR4,SIH,SM14,SXS4,SXU,TXU,UIH,UXU,VGE4,VIH,VIH1,VMB3,VPM4,VPR4,VSB1,VSD,VSD1,VSX3,VTD,VTD1,VTU1,VTX,VTX1,VVSH,VXU1,WIH1,WKT4,WME4
			(1)	-	-	-	4733211	PHU,RD,RD4,RH,RHQ4,RSK,RXE4,RX4,THU,VEBM,VED,VED1,VH,VHH4,VMS4,VS,VSX,VSX1,VX,VXE4,VXU,VX26,VX4,WMB0,SWG4
			(1)	-	-	-	4764119	
			-	-	-	(1)	2000030	





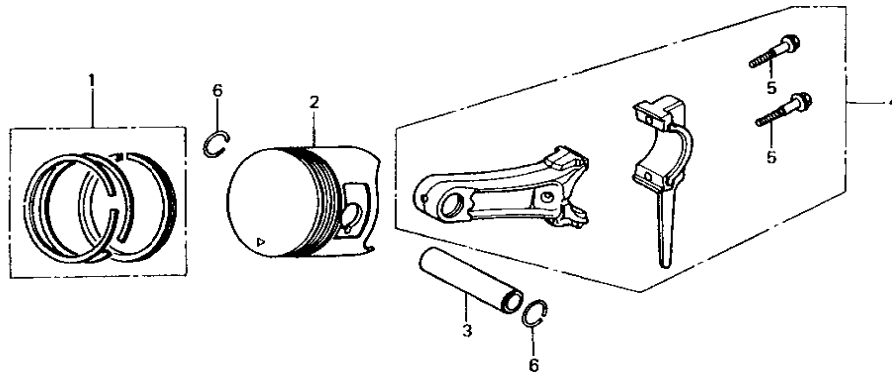
ZH113112

2

Ref. No.	Part No.	Description	Reqd. QTY				Serial No.	Type
			(1)	(2)	(3)	(4)		
(1)	13011-ZH8-942	RING SET, PISTON (0.25).....	(1)	(1)	-	-	5495900	ARC6,HH,HHQ4,HH26,HX,HXE,HX26,HX4,KTA,LD,LDB1,LDB3,LDM,LD4,LH,LHB3,LHQ4,LSJ4,LSS4,LWZ,LX,LX26,LX4,L1,NW,PH,PHM,PMZ,PX,QA,QAB1,QAB3,QA26,QBT6,QD,QE,QFE4,QH,QHE,QHP1,QHQ4,QH26,QKA4,QM,QMC8,QMD6,QME4,QMH,QNT,QNT4,QN2,QP,QPU,QT,QX,QXB1,QXC6,QXE,QXE4,QXE6,QXW,QXW2,QX26,QX4,Q1,REX4,RH26,RMB4,RX,RXE,R1,SD,SDB1,SDB3,SDN,SDS,SDS2,SDS3,SD16,SD4,SE,SEE,SH,SHM,SHQ4,SMC7,SMC9,SX,SXB,SXE,SXE4,SX4,S1,TH,TX,TX26,TX4,UH,UX,VXE6,VXG,VXM,W1
			(1)	-	(1)	-		BIH,HXE8,HXU,LHW,LVSH,LXU,PXU,QIH1,QMC6,QVSH,QWA4,QXE8,QXU,RXU,SHR4,SIH,SM14,SXS4,SXU,TXU,UIH,UXU,VGE4,VIH,VIH1,VMB3,VPM4,VPR4,VSB1,VSD,VSD1,VSX3,VTD,VTD1,VTU1,VTX,VTX1,VVSH,VXU1,WIH1,WKT4,WME4
			(1)	-	-	-	4733211	PHU,RD,RD4,RH,RHQ4,RSK,RXE4,RX4,THU,VEBM,VED,VED1,VH,VHH4,VMS4,VS,VSX,VSX1,VX,VXE4,VXU,VX26,VX4,WMB0
			(1)	-	-	-	4764119	SWG4
			-	-	-	(1)	2000030	

Ref. No.	Part No.	Description	Reqd. QTY				Serial No.	Type
			(1)	(2)	(3)	(4)		
(1)	13012-ZH8-941	RING SET, PISTON (0.50).....	(1)	(1)	-	-	5495900	ARC6,HH,HHQ4,HH26,HX,HXE,HX26,HX4,KTA,LD,LDB1,LDB3,LDM,LD4,LH,LHB3,LHQ4,LSJ4,LSS4,LWZ,LX,LX26,LX4,L1,NW,PH,PHM,PMZ,PX,QA,QAB1,QAB3,QA26,QBT6,QD,QE,QFE4,QH,QHE,QHP1,QHQ4,QH26,QKA4,QM,QMC8,QMD6,QME4,QMH,QNT,QNT4,QNZ,QP,QPU,QT,QX,QXB1,QXC6,QXE,QXE4,QXE6,QXW,QXW2,QX26,QX4,Q1,REX4,RH26,RMB4,RX,RXE,R1,SD,SDB1,SDB3,SDN,SDS,SDS2,SDS3,SD16,SD4,SE,SEE,SH,SHM,SHQ4,SMC7,SMC9,SX,SXB,SXE,SXE4,SX4,S1,TH,TX,TX26,TX4,UH,UX,VXE6,VXG,VXM,W1
			(1)	-	(1)	-		BIH,HXE8,HXU,LHW,LVSH,LXU,PXU,QIH1,QMC6,QVSH,QWA4,QXE8,QXU,RXU,SHR4,SIH,SM14,SXS4,SXU,TXU,UIH,UXU,VGE4,VIH,VIH1,VMB3,VPM4,VPR4,VSB1,VSD,VSD1,VSX3,VTD,VTD1,VTU1,VTX,VTX1,VVSH,VXU1,WIH1,WKT4,WME4
			(1)	-	-	-	4733211	PHU,RD,RD4,RH,RHQ4,RSK,RXE4,RX4,THU,VEBM,VED,VED1,VED2,VED3,VH,VHH4,VMS4,VS,VSX,VSX1,VS3,VS4,VX,VXE4,VXU,VX26,VX4,WMB0,SWG4
			(1)	-	-	-	4764119	
			-	-	-	(1)	2000030	
	13012-ZH8-942	.....	(1)	(1)	-	-	5495900	ARC6,HH,HHQ4,HH26,HX,HXE,HX26,HX4,KTA,LD,LDB1,LDB3,LDM,LD4,LH,LHB3,LHQ4,LSJ4,LSS4,LWZ,LX,LX26,LX4,L1,NW,PH,PHM,PMZ,PX,QA,QAB1,QAB3,QA26,QBT6,QD,QE,QFE4,QH,QHE,QHP1,QHQ4,QH26,QKA4,QM,QMC8,QMD6,QME4,QMH,QNT,QNT4,QNZ,QP,QPU,QT,QX,QXB1,QXC6,QXE,QXE4,QXE6,QXW,QXW2,QX26,QX4,Q1,REX4,RH26,RMB4,RX,RXE,R1,SD,SDB1,SDB3,SDN,SDS,SDS2,SDS3,SD16,SD4,SE,SEE,SH,SHM,SHQ4,SMC7,SMC9,SX,SXB,SXE,SXE4,SX4,S1,TH,TX,TX26,TX4,UH,UX,VXE6,VXG,VXM,W1
			(1)	-	(1)	-		BIH,HXE8,HXU,LHW,LVSH,LXU,PXU,QIH1,QMC6,QVSH,QWA4,QXE8,QXU,RXU,SHR4,SIH,SM14,SXS4,SXU,TXU,UIH,UXU,VGE4,VIH,VIH1,VMB3,VPM4,VPR4,VSB1,VSD,VSD1,VSX3,VTD,VTD1,VTU1,VTX,VTX1,VVSH,VXU1,WIH1,WKT4,WME4
			(1)	-	-	-	4733211	PHU,RD,RD4,RH,RHQ4,RSK,RXE4,RX4,THU,VEBM,VED,VED1,VED2,VED3,VH,VHH4,VMS4,VS,VSX,VSX1,VS3,VS4,VX,VXE4,VXU,VX26,VX4,WMB0,SWG4
			(1)	-	-	-	4764119	
			-	-	-	(1)	2000030	
	13013-ZH8-941	RING SET, PISTON (0.75).....	(1)	(1)	-	-	5495900	ARC6,HH,HHQ4,HH26,HX,HXE,HX26,HX4,KTA,LD,LDB1,LDB3,LDM,LD4,LH,LHB3,LHQ4,LSJ4,LSS4,LWZ,LX,LX26,LX4,L1,NW,PH,PHM,PMZ,PX,QA,QAB1,QAB3,QA26,QBT6,QD,QE,QFE4,QH,QHE,QHP1,QHQ4,QH26,QKA4,QM,QMC8,QMD6,QME4,QMH,QNT,QNT4,QNZ,QP,QPU,QT,QX,QXB1,QXC6,QXE,QXE4,QXE6,QXW,QXW2,QX26,QX4,Q1,REX4,RH26,RMB4,RX,RXE,R1,SD,SDB1,SDB3,SDN,SDS,SDS2,SDS3,SD16,SD4,SE,SEE,SH,SHM,SHQ4,SMC7,SMC9,SX,SXB,SXE,SXE4,SX4,S1,TH,TX,TX26,TX4,UH,UX,VXE6,VXG,VXM,W1
			(1)	-	(1)	-		BIH,HXE8,HXU,LHW,LVSH,LXU,PXU,QIH1,QMC6,QVSH,QWA4,QXE8,QXU,RXU,SHR4,SIH,SM14,SXS4,SXU,TXU,UIH,UXU,VGE4,VIH,VIH1,VMB3,VPM4,VPR4,VSB1,VSD,VSD1,VSX3,VTD,VTD1,VTU1,VTX,VTX1,VVSH,VXU1,WIH1,WKT4,WME4
			(1)	-	-	-	4733211	PHU,RD,RD4,RH,RHQ4,RSK,RXE4,RX4,THU,VEBM,VED,VED1,VED2,VED3,VH,VHH4,VMS4,VS,VSX,VSX1,VS3,VS4,VX,VXE4,VXU,VX26,VX4,WMB0,SWG4
			(1)	-	-	-	4764119	
			-	-	-	(1)	2000030	

2



ZH83-B0800

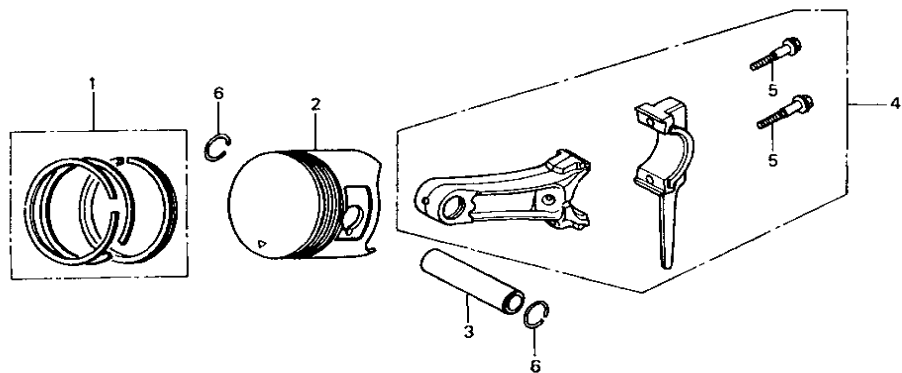
ZH1E0100

Service Item F.R.T.

Ref. No.	Part No.	Description	Reqd. QTY				Serial No.	Type
			(1)	(2)	(3)	(4)		
(1)	13013-ZH8-942	RING SET, PISTON (0.75).....	(1)	(1)	(1)	-	5495900	ARC6,HH,HHQ4,HH26,HX,HXE,HX26,HX4,KTA,LD,LDB1,LDB3,LDM,LD4,LH,LHB3,LHQ4,LSJ4,LSS4,LWZ,LX,LX26,LX4,L1,NW,PH,PHM,PMZ,PX,QA,QAB1,QAB3,QA26,QBT6,QD,QE,QFE4,QH,QHE,QHP1,QHQ4,QH26,QKA4,QM,QMC8,QMD6,QME4,QMH,QNT,QNT4,QNZ,QP,QPU,QT,QX,QXB1,QXC6,QXE,QXE4,QXE6,QXW,QXW2,QX26,QX4,Q1,REX4,RH26,RMB4,RX,RXE,R1,SD,SDB1,SDB3,SDN,SDS,SDS2,SDS3,SD16,SD4,SE,SEE,SH,SHM,SHQ4,SIH,SMC7,SMC9,SX,AXB,SXE,SXE4,SX4,S1,TH,TX,TX26,TX4,UH,UIH,UX,VXE6,VXG,VXM,VXU,VXU1,W1
			(1)	-	(1)	-		BIH,HXE8,HXU,LHW,LVSH,LXU,PXU,QIH1,QMC6,QVSH,QWA4,QXE8,QXU,RXU,SHR4,SM14,SXS4,SXU,TXU,UXU,VGE4,VIH,VIH1,VMB3,VPM4,VPR4,VSB1,VSD,VSD1,VSX3,VTD,VTD1,VTU1,VTX,VTX1,VVSH,WIH1,WKT4,WME4
			(1)	-	-	-	4733211	PHU,RD,RD4,RH,RHQ4,RSK,RXE4,RX4,THU,VEBM,VED,VED1,VED2,VED3,VH,VHH4,VMS4,VS,VSX,VSX1,VS3,VS4,VX,VXE,VXE4,VX26,VX4,WMB0,SWG4
			(1)	-	-	-	4764119	
			-	-	(1)	-	2000030	
2	13101-ZF1-010	PISTON (STD.).....	1	-	1	-		PM,QIH1,QM,QT,QZ
	13101-ZF1-901	.....	1	-	1	-		BIH,LTA,LVSH,QVSH,SDN,SIH,UIH,VIH,VVSH,WIH1
	13101-ZH8-000	.....	1	1	1	1		ARC6,EN,ET,ETX,HH,HHQ4,HH26,HX,HXE,HXE8,HXU,HX26,HX4,H1,KTA,LAX,LD,LDB1,LDB3,LDM,LD4,LH,LHB3,LHQ4,LHW,LSJ4,LSS4,LWZ,LX,LXU,LX26,LX4,L1,NW,PH,PHM,PHU,PMZ,PX,PXU,QA,QAB1,QAB3,QA26,QBT6,QBU2,QD,QE,QFE4,QH,QHE,QHP1,QHQ4,QH26,QKA4,QMC6,QMC8,QMD6,QME4,QMH,QNT,QNT2,QNT4,QNZ,QP,QPU,QWA4,QX,QXB,QXB1,QXC6,QXE,QXE4,QXE6,QXE8,QXU,QXW,QXW2,QX26,QX4,Q1,RAC,RD,RD4,REX4,RH,RHQ4,RH26,RMB4,RSK,RX,RXE,RXE4,RXU,RX4,R1,SAC,SAD2,SD,SDB1,SDB3,SDS,SDS2,SDS3,SD16,SD4,SE,SEE,SH,SHM,SHQ4,VSB1,VSD,VSDP,VSD1,VSW,VSX,VSX1,VSX3,VS1,VS3,VS4,VTD,VTD1,VTE2,VTU1,VTX,VTX1,VX,VXE,VXE4,VXE6,VXG,VXM,VXP,VXU,VXU1,VX26,VX4,V1,WKT4,WMB0,WME4,W1

Ref. No.	Part No.	Description	Reqd. QTY				Serial No.	Type
			(1)	(2)	(3)	(4)		
(2)	13102-ZF1-010	PISTON (0.25)	(1)	(1)	-	-	PM,QIH1,QM,QT,QZ	
	13102-ZF1-901	.....	(1)	(1)	-	-	BIH, LTA, LVSH, QVSH, SDN, SIH, UIH, VIH, VVSH, WIH1	
	13102-ZH8-000	.....	(1)	(1)	(1)	(1)	ARC6, EN, ET, ETX, HH, HHQ4, HH26, HX, HXE, HXE8, HXU, HX26, HX4, H1, KTA LAX, LD, LDB1, LDB3, LDM, LD4, LH, LHB3, LHQ4, LHW, LSJ4, LSS4, LWZ, LX LXU, LX26, LX4, L1, NW, PH, PHM, PHU, PMZ, PX, PXU, QA, QAB1, QAB3, QA26 QBT6, QBU2, QD, QE, QFE4, QH, QHE, QHP1, QHQ4, QH26, QKA4, QMC6, QMC8 QMD6, QME4, QMH, QNT, QNT2, QNT4, QNZ, QP, QPU, QWA4, QX, QXB, QXB1 QXC6, QXE, QXE4, QXE6, QXE8, QXU, QXW, QXW2, QX26, QX4, Q1, RAC, RD, RD4 REX4, RH, RHQ4, RH26, RMB4, RSK, RX, RXE, RXE4, RXU, RX4, R1, SAC, SAD2 SD, SDB1, SDB3, SDS, SDS2, SDS3, SD16, SD4, SE, SEE, SH, SHM, SHQ4, VSB1 VSD, VSDP, VSD1, VSW, VSX, VSX1, VSX3, VS1, VS3, VS4, VTD, VTD1, VTE2 VTU1, VTX, VTX1, VX, VXE, VXE4, VXE6, VXE8, VXE9, VXM, VXP, VXU, VXU1, VX26 VX4, V1, WKT4, WMB0, WME4, W1	
13103-ZF1-010	PISTON (0.50)	(1)	(1)	-	-	PM,QIH1,QM,QT,QZ		
	13103-ZF1-901	.....	(1)	(1)	-	-	BIH, LTA, LVSH, QVSH, SDN, SIH, UIH, VIH, VVSH, WIH1	
	13103-ZH8-000	.....	(1)	(1)	(1)	(1)	ARC6, EN, ET, ETX, HH, HHQ4, HH26, HX, HXE, HXE8, HXU, HX26, HX4, H1, KTA LAX, LD, LDB1, LDB3, LDM, LD4, LH, LHB3, LHQ4, LHW, LSJ4, LSS4, LWZ, LX LXU, LX26, LX4, L1, NW, PH, PHM, PHU, PMZ, PX, PXU, QA, QAB1, QAB3, QA26 QBT6, QBU2, QD, QE, QFE4, QH, QHE, QHP1, QHQ4, QH26, QKA4, QMC6, QMC8 QMD6, QME4, QMH, QNT, QNT2, QNT4, QNZ, QP, QPU, QWA4, QX, QXB, QXB1 QXC6, QXE, QXE4, QXE6, QXE8, QXU, QXW, QXW2, QX26, QX4, Q1, RAC, RD, RD4 REX4, RH, RHQ4, RH26, RMB4, RSK, RX, RXE, RXE4, RXU, RX4, R1, SAC, SAD2 SD, SDB1, SDB3, SDS, SDS2, SDS3, SD16, SD4, SE, SEE, SH, SHM, SHQ4, VSB1 VSD, VSDP, VSD1, VSW, VSX, VSX1, VSX3, VS1, VS3, VS4, VTD, VTD1, VTE2 VTU1, VTX, VTX1, VX, VXE, VXE4, VXE6, VXE8, VXE9, VXM, VXP, VXU, VXU1, VX26 VX4, V1, WKT4, WMB0, WME4, W1	
	13104-ZF1-010	PISTON (0.75)	(1)	(1)	-	-	PM,QIH1,QM,QT,QZ	
	13104-ZF1-901	.....	(1)	(1)	-	-	BIH, LTA, LVSH, QVSH, SDN, SIH, UIH, VIH, VVSH, WIH1	
	13104-ZH8-000	.....	(1)	(1)	(1)	(1)	ARC6, EN, ET, ETX, HH, HHQ4, HH26, HX, HXE, HXE8, HXU, HX26, HX4, H1, KTA LAX, LD, LDB1, LDB3, LDM, LD4, LH, LHB3, LHQ4, LHW, LSJ4, LSS4, LWZ, LX LXU, LX26, LX4, L1, NW, PH, PHM, PHU, PMZ, PX, PXU, QA, QAB1, QAB3, QA26 QBT6, QBU2, QD, QE, QFE4, QH, QHE, QHP1, QHQ4, QH26, QKA4, QMC6, QMC8 QMD6, QME4, QMH, QNT, QNT2, QNT4, QNZ, QP, QPU, QWA4, QX, QXB, QXB1 QXC6, QXE, QXE4, QXE6, QXE8, QXU, QXW, QXW2, QX26, QX4, Q1, RAC, RD, RD4 REX4, RH, RHQ4, RH26, RMB4, RSK, RX, RXE, RXE4, RXU, RX4, R1, SAC, SAD2 SD, SDB1, SDB3, SDS, SDS2, SDS3, SD16, SD4, SE, SEE, SH, SHM, SHQ4, VSB1 VSD, VSDP, VSD1, VSW, VSX, VSX1, VSX3, VS1, VS3, VS4, VTD, VTD1, VTE2 VTU1, VTX, VTX1, VX, VXE, VXE4, VXE6, VXE8, VXE9, VXM, VXP, VXU, VXU1, VX26 VX4, V1, WKT4, WMB0, WME4, W1	
3	13111-ZE1-000	PIN, PISTON	1	1	1	1		
4	13200-ZE1-000	ROD ASSY., CONNECTING (STD.)	1	1	1	-	3427858 BIH, EN, ET, ETX, HH, HX, KTA, LAX, LD, LH, LTA, LWZ, LX, L1, PH, PHU, PM PMZ, PX, QA, QD, QE, QH, QHE, QM, QNT, QNZ, QT, QX, QXB, QXE, QXW, QZ, Q1 RAC, RD, RH, RSK, RX, RXE, R1, SAC, SD, SDB1, SDS, SE, SEE, SH, SIH, STA SWX, SWZ, SX, SXB, SXE, S1, TH, THU, TX, T1, UH, UIH, UX, VA, VEBM, VED VED1, VED2, VED3, VH, VS, VSD, VSD1, VSX, VSX1, VS1, VS3, VS4, VX, VXE VXG, VXU, V1, W1	
			1	-	-	-	3429382 HHQ4, HX4, LD4, LHQ4, LX4, QHQ4, QXE4, QX4, RD4, RHQ4, RXE4, RX4, SD4 SHQ4, SXE4, SX4, TX4, VHQ4, VXE4, VX4	
			-	1	-	-	H1, U1	

2



Service Item F.R.T.

ZHJEC119

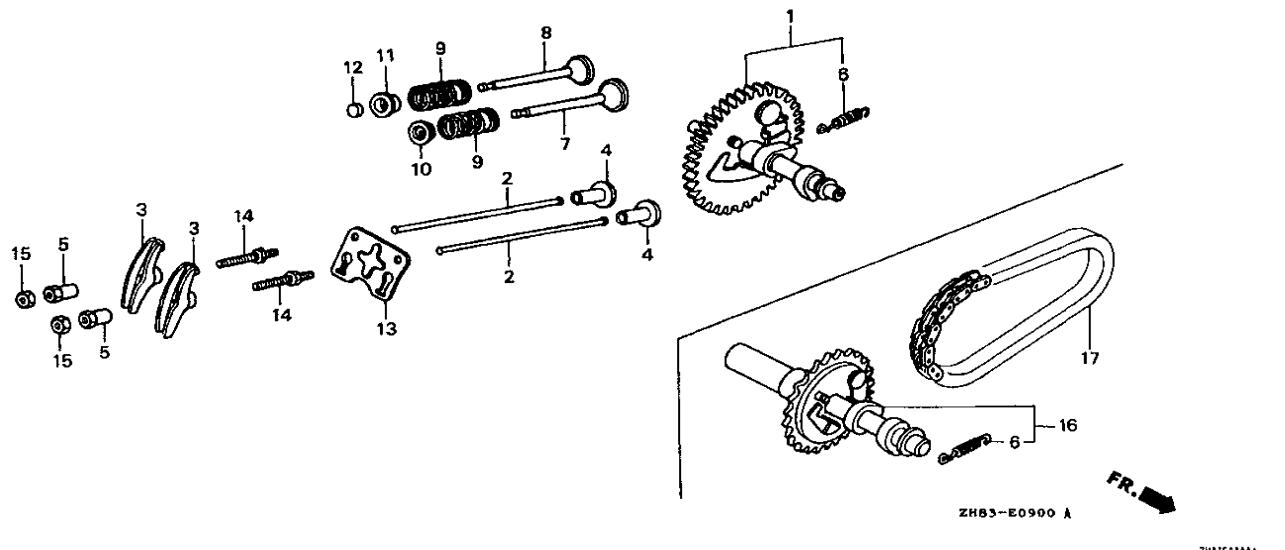
Ref. No.	Part No.	Description	Reqd. QTY				Serial No.	Type	
			(1)	(2)	(3)	(4)			
(4)	13200-ZE1-010	ROD ASSY., CONNECTING (STD.)..	1	1	1	1	-----	ARC6,HH26,HXE,HXE8,HXU,HX26,H1,LDB1,LDB3,LDM,LHB3,LHW,LSJ4,LSS4,LVSH,LXU,LX26,NW,PHM,PXU,QAB1,QAB3,QA26,QBT6,QBU2,QFE4,QHP1,QH26,QIH1,QKA4,QMC6,QMC8,QMD6,QME4,QMH,QNT2,QNT4,QP,QPU,QVSH,QWA4,QXB1,QXC6,QXE6,QXE8,QXU,QXW2,QX26,REX4,RH26,RMB4,RXU,SAD2,SDB3,SDN,SDS2,SDS3,SD16,SHM,SHR4,SMB4,SMC7,SMC9,SM14,SWG4,SXS4,SXU,TXU,TX26,UXU,U1,VGE4,VHH4,VIH,VIH1,VMB3,VMS4,VMT,VPM4,VPR4,VS1,VSDP,VSW,VSX3,VTD,VTD1,VTE2,VTU1,VTX,VTX1,VVSH,VXE6,VXM,VXP,VXU1,VX26,WIH1,WKT4,WMB0,WME4	
			1	1	1	-	3427859	-----	BIH,EN,ET,ETX,HH,HX,KTA,LAX,LD,LH,LTA,LWZ,LX,L1,PH,PHU,PM,PMZ,PX,QA,QD,QE,QH,QHE,QM,QNT,QNZ,QT,QX,QXB,QXE,QXW,QZ,Q1,RAC,RD,RH,RSK,RX,RXE,R1,SAC,SD,SDB1,SDS,SE,SEE,SH,SIH,STA,SWX,SWZ,SX,SXB,SXE,S1,TH,THU,TX,T1,UH,UIH,UX,VA,VEBM,VED,VED1,VED2,VED3,VH,VS,VSD,VSD1,VSX,VSX1,VS1,VS3,VS4,VX,VXE,VXG,VXU,V1,W1
			1	-	-	-	3429383	-----	HHQ4,HX4,LD4,LHQ4,LX4,QHQ4,QXE4,QX4,RD4,RHQ4,RXE4,RX4,SD4,SHQ4,SXE4,SX4,TX4,VHQ4,VXE4,VX4
	132A0-ZE1-000	ROD ASSY., CONNECTING (UNDER SIZE)	(1)	(1)	(1)	(1)	-----	ARC6,BIH,EN,ET,ETX,HH,HHQ4,HH26,HX,HXE,HXE8,HXU,HX26,HX4,H1,KTA,LAX,LD,LDB1,LDB3,LDM,LD4,LH,LHB3,LHQ4,LHW,LSJ4,LSS4,LTA,LVSH,LWZ,LX,LXU,LX26,LX4,L1,NW,PH,PHM,PHU,PM,PMZ,PX,PXU,QA,QAB1,QAB3,QA26,QBT6,QBU2,QD,QE,QFE4,QH,QHE,QHP1,QHQ4,QH26,QIH1,QKA4,QM,QMC6,QMC8,QMD6,QME4,QMH,QNT,QNT2,QNT4,QNZ,QP,QPU,QT,QVSH,QWA4,QX,QXB,QXB1,QXC6,QXE,QXE4,QXE6,QXE8,QXU,QXW,QXW2,QX26,QX4,QZ,Q1,RAC,RD,RD4,REX4,RH,RHQ4,RH26,RMB4,RSK,RX,RXE,RXE4,RXU,RX4,R1,SAC,SAD2,SD,SDB1,SDB3,SDN,WME4,W1	
5	90001-ZE1-000	BOLT, CONNECTING ROD.....	2	2	2	2			



Ref. No.	Part No.	Description	Reqd. QTY				Serial No.	Type
			(1)	(2)	(3)	(4)		
6	90551-ZE1-000	CLIP, PISTON PIN, 18MM.....	2	2	2	2		

2

Camshaft



Service Item	F.R.T.
CAMSHAFT ASSY.....	0.4
.LIFTER, VALVE	
ROD, PUSH.....	0.2
.ARM, VALVE ROCKER	
.PIVOT, ROCKER ARM	
.ROTATOR, VALVE	
VALVE, IN.....	0.7
(ADD 0.1 FOR EACH.)	
.CHAIN, P.T.O. DRIVE	
BOLT, PIVOT.....	0.3
(ADD 0.1 FOR EACH.)	

2

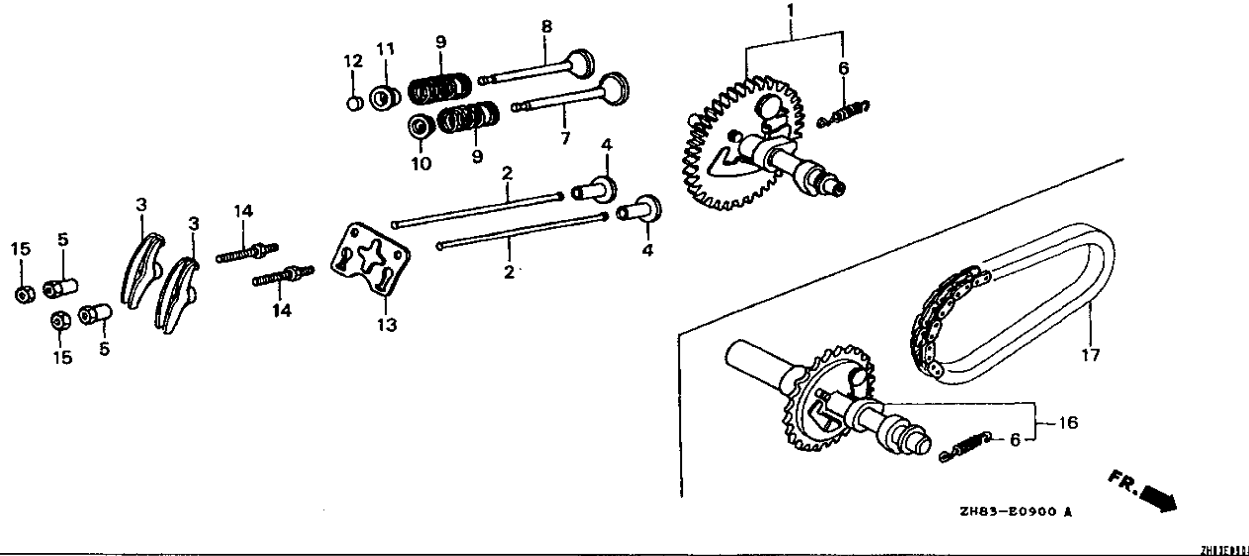
Ref. No.	Part No.	Description	Reqd. QTY	Serial No.	Type
			5X180K1 (1) (2) (3) (4)		
1	14100-ZE1-812	CAMSHAFT ASSY.....	1	1	1
					EN, ET, ETX, HH, HHQ4, HH26, HX, HXE, HXE8, HXU, HX26, HX4, H1, KTA, LAX, LD, LDB1, LDB3, LDM, LD4, LH, LHB3, LHQ4, LHW, LSJ4, LSS4, LWZ, LX, LXU, LX26, LX4, L1, PH, PHM, PHU, PMZ, PX, PXU, QA, QAB1, QAB3, QA26, QBT6, QBU2, QD, QE, QFE4, QH, QHE, QHP1, QHQ4, QH26, QKA4, QMC6, QMC8, QMD6, QME4, QMH, QNT, QNT2, QNT4, QNZ, QP, QPU, QWA4, QX, QXB, QXB1, QXC6, QXE, QXE4, QXE6, QXE8, QXU, QXW, QXW2, QX26, QX4, Q1, RAC, RD, RD4, REX4, RH, RHQ4, RH26, RMB4, RSK, RX, RXE, RXE4, RXU, RX4, R1, SAC, SAD2, SD, SDB1, SDB3, SDS, SDS2, SDS3, SD16, SD4, SE, SEE, SH, SHM, SHQ4, SHR4, SMB4, SMC7, SMC9, SM14, STA, SWG4, SWX, SWZ, SX, SXB, SXE, SXE4, SXS4, SXU, SX4, S1, TH, THU, TX, TXU, TX26, TX4, T1, UH, UX, UXU, U1, VA, VEBM, VSB1, VSDP, VTE2, VXG, VXP, V1, WKT4, WMB0, WME4, W1
			1	4913229	VED, VED1, VED2, VED3, VH, VHH4, VHQ4, VMS4, VS, VSX, VSX1, VS1, VS3, VS4, VX, VXE, VXE4, VX26, VX4
			1	3943828	VGE4, VMB3, VSD, VSD1
			1	4805338	VSW, VXM, VXU
	14100-ZF1-000	.....	1		BIH, LTA, PM, QM, QT, QZ, SIH, UIH
	14100-ZH8-C30	.....	1		ARC6
	14100-ZF1-010	.....	1	1	LVSH, QIH1, QVSH, SDN, WIH1
	14100-ZL0-000	.....	1	4913230	5048024 VED, VED1, VED2, VED3
			1	3943829	VGE4, VMB3, VSD, VSD1
			1	4913230	VH, VHH4, VHQ4, VMS4, VS, VSX, VSX1, VS1, VS3, VS4, VX, VXE, VXE4, VX26, VX4
			1	1	VIH, VIH1, VMT, VPM4, VPR4, VSX3, VTD, VTD1, VTU1, VTX, VTX1, VVSH, VXE6, VXU1
	14100-ZE1-812	.....	1	4805339	VSW, VXM, VXU
	14410-ZE1-010	ROD, PUSH.....	2	2	2
	14431-ZE1-000	ARM, VALVE ROCKER.....	2	2	2
			2	2	2

Ref. No.	Part No.	Description	Reqd. QTY				Serial No.	Type
			(1)	(2)	(3)	(4)		
4	14441-ZE1-000	LIFTER, VALVE.....	2	2	-	-	4252173	EN, ET, ETX, HH, HHQ4, HH26, HX, HXE, HX26, HX4, KTA, LAX, LD, LDB1, LDB3, LD4, LH, LHB3, LHQ4, LTA, LWZ, LX, LX26, LX4, L1, PH, PHU, PM, PMZ, PX, QA, QAB1, QAB3, QA26, QBT6, QBU2, QD, QE, QH, QHE, QHQ4, QH26, QKA4, QM, QMC6, QMC8, QMD6, QME4, QNT, QNT2, QNZ, QP, QPU, QT, QX, QXB, QXB1, QXC6, QXE, QXE4, QXE6, QXW, QXW2, QX26, QX4, QZ, Q1, RAC, RD, RD4, RH, RHQ4, RH26, RMB4, RSK, RX, RXE, RXE4, RX4, R1, SAC, SAD2, SD, SDB1, SDB3, SDN, SDS, SDS2, SDS3, SD16, SD4, SE, SEE, SH, SHQ4, SMB4, SMC7, SMC9, STA, SWG4, SWX, SWZ, SX, SXB, SXE, SXE4, SX4, S1, TH, THU, TX, TX26, TX4, T1, UH, UX, VA, VEBM, VED, VED1, VED2, VED3, VGE4, VH, VHH4, VHQ4, VMB3, VMS4, VS, VSD, VSD1, VSW, VSX, VSX1, VS1, VS3, VS4, VX, VXE, VXE4, VXG, VXU, VX26, VX4, V1, WMBO, W1
	14441-ZE1-010	.....	-	2	-	-		H1, U1
			2	-	2	2		ARC6, BIH, HXE8, HXU, LDM, LHW, LSJ4, LSS4, LVSH, LXU, NW, PHM, PXU, QFE4, QHP1, QIH1, QMH, QNT4, QVSH, QWA4, QXE8, QXU, REX4, RXU, SHM, SHR4, SIH, SM14, SXS4, SXU, TXU, UIH, UXU, VIH, VIH1, VMT, VPM4, VPR4, VSB1, VSDP, VSX3, VTD, VTD1, VTE2, VTU1, VTX, VTX1, VVSH, VXE6, VXM, VXP, VXU1, WIH1, WKT4, WME4
			2	2	-	-	4252174	EN, ET, ETX, HH, HHQ4, HH26, HX, HXE, HX26, HX4, KTA, LAX, LD, LDB1, LDB3, LD4, LH, LHB3, LHQ4, LTA, LWZ, LX, LX26, LX4, L1, PH, PHU, PM, PMZ, PX, QA, QAB1, QAB3, QA26, QBT6, QBU2, QD, QE, QH, QHE, QHQ4, QH26, QKA4, QM, QMC6, QMC8, QMD6, QME4, QNT, QNT2, QNZ, QP, QPU, QT, QX, QXB, QXB1, QXC6, QXE, QXE4, QXE6, QXW, QXW2, QX26, QX4, QZ, Q1, RAC, RD, RD4, RH, RHQ4, RH26, RMB4, RSK, RX, RXE, RXE4, RX4, R1, SAC, SAD2, SD, SDB1, SDB3, SDN, SDS, SDS2, SDS3, SD16, SD4, SE, SEE, SH, SHQ4, SMB4, SMC7, SMC9, STA, SWG4, SWX, SWZ, SX, SXB, SXE, SXE4, SX4, S1, TH, THU, TX, TX26, TX4, T1, UH, UX, VA, VEBM, VED, VED1, VED2, VED3, VGE4, VH, VHH4, VHQ4, VMB3, VMS4, VS, VSD, VSD1, VSW, VSX, VSX1, VS1, VS3, VS4, VX, VXE, VXE4, VXG, VXU, VX26, VX4, V1, WMBO, W1
5	14451-ZE1-003	PIVOT, ROCKER ARM.....	2	2	2	-		BIH, EN, ET, ETX, HH, HX, HXU, H1, KTA, LD, LH, LTA, LWZ, LX, LXU, L1, PH, PM, PMZ, PX, PXU, QA, QD, QE, QH, QHE, QM, QNT, QT, QX, QXB1, QXE, QXE8, QXU, QZ, Q1, RAC, RD, RH, RX, RXE, RXU, R1, SAC, SD, SDS, SE, SEE, SH, SIH, STA, SWX, SWZ, SX, SXE, SXU, S1, TH, TX, TXU, T1, UH, UIH, UX, UXU, U1, VA, VEBM, VED, VED1, VED2, VH, VS, VSD, VSD1, VSX, VS1, VS3, VS4, VX, VXE, V1, W1
	14451-ZE1-013	.....	2	-	2	2		ARC6, HHQ4, HH26, HXE, HXE8, HX26, HX4, LAX, LDB1, LDB3, LDM, LD4, LHB3, LHQ4, LHW, LSJ4, LSS4, LVSH, LX26, LX4, NW, PHM, PHU, QAB1, QAB3, QA26, QBT6, QBU2, QFE4, QHP1, QHQ4, QH26, QIH1, QKA4, QMC6, QMC8, QMD6, QME4, QMH, QNT2, QNT4, QNZ, QP, QPU, QVSH, QWA4, QXB, QXC6, QXE4, QXE6, QXW, QXW2, QX26, QX4, RD4, REX4, RHQ4, RH26, RMB4, RSK, RXE4, RX4, SAD2, SDB1, SDB3, SDN, SDS2, SDS3, SD16, SD4, SHM, SHQ4, SHR4, SMB4, SMC7, SMC9, SM14, SWG4, SXB, SXE4, SXS4, SX4, THU, TX26, TX4, VED3, VGE4, VHH4, VHQ4, VIH, VIH1, VMB3, VMS4, VMT, VPM4, VPR4, VSB1, VSDP, VSW, VSX1, VSX3, VTD, VTD1, VTE2, VTU1, VTX, VTX1, VVSH, VXE4, VXE6, VXG, VXM, VXP, VXU, VXU1, VX26, VX4, WIH1, WKT4, WMBO, WME4
6	14568-ZE1-000	SPRING, WEIGHT RETURN.....	1	1	1	1		
7	14711-ZF1-000	VALVE, IN.....	1	1	1	1		

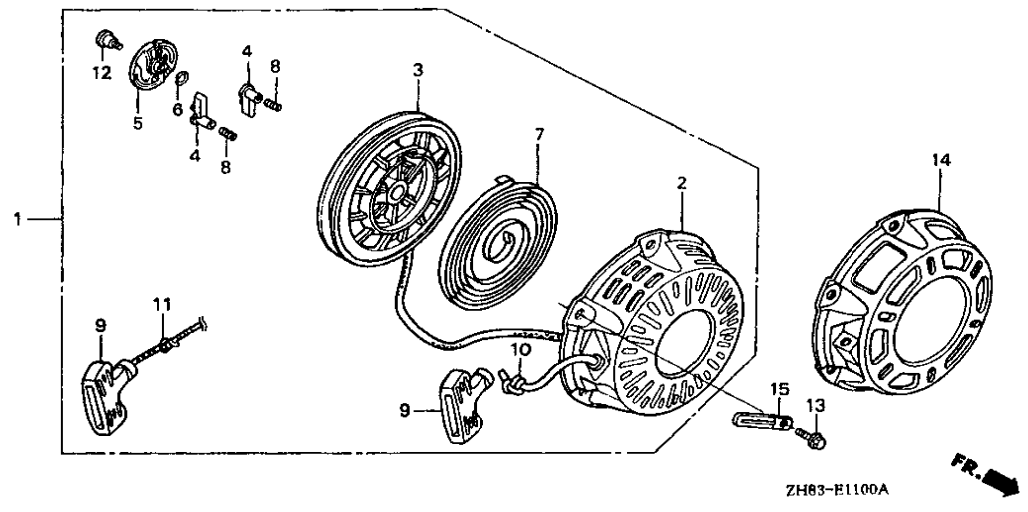
2

Camshaft

Service Item F.R.T.



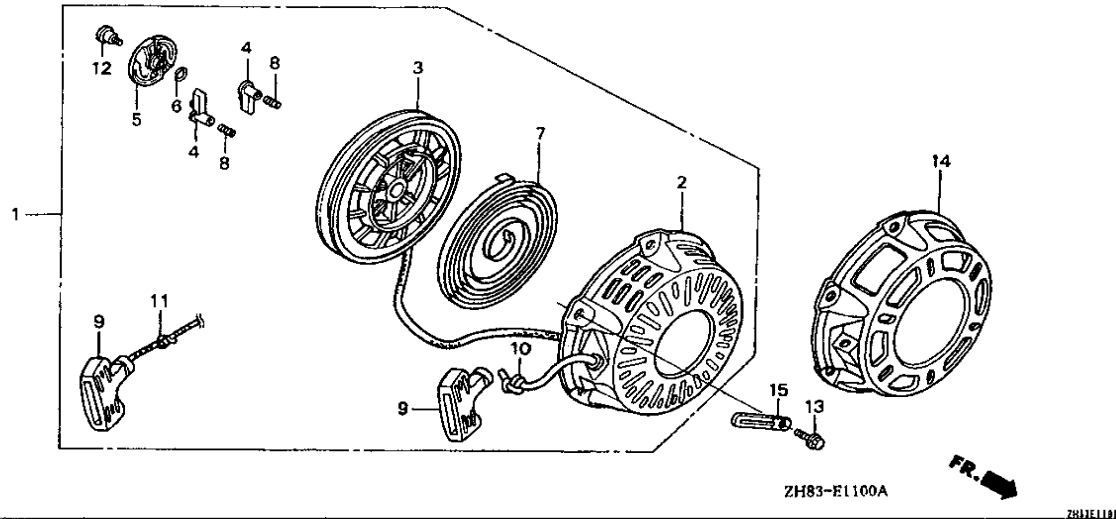
Ref. No.	Part No.	Description	Reqd. QTY				Serial No.	Type
			(1)	(2)	(3)	(4)		
8	14721-ZF1-000	VALVE, EX.....	1	1	1	-	ARC6, BIH, EN, ET, ETX, HH, HHQ4, HH26, HX, HXE, HXE8, HXU, HX26, HX4, H1 KTA, LAX, LD, LDB1, LDB3, LDM, LD4, LH, LHB3, LHQ4, LHW, LSJ4, LSS4, LTA LVSH, LWZ, LX, LXU, LX26, LX4, L1, NW, PM, PMZ, QA, QAB1, QAB3, QA26 QBT6, QBU2, QD, QE, QFE4, QH, QHE, QHP1, QHQ4, QH26, QIH1, QKA4, QM QMC6, QMC8, QMD6, QME4, QMH, QNT, QNT2, QNT4, QNZ, QP, QPU, QT, QVSH QWA4, QX, QXB, QXB1, QXC6, QXE, QXE4, QXE6, QXE8, QXU, QXW, QXW2, QX26 QX4, QZ, Q1, RAC, RD, RD4, REX4, RH, RHQ4, RH26, RMB4, RSK, RX, RXE, RXE4 RXU, RX4, R1, SAC, SAD2, SD, SDB1, SDB3, SDN, SDS, SDS2, SDS3, SD16, SD4 VSD, VSD1, VSW, VSX, VSX1, VSX3, VS1, VS3, VS4, VTD, VTD1, VTE2, VTU1 VTX, VTX1, VVSH, VX, VXE, VXE4, VXE6, VXG, VXM, VXU, VXU1, VX26, VX4, V1 WIH1, WKT4, WMBO, WME4, W1 H1, L1, PH, PHM, PHU, PX, PXU, Q1, R1, S1, TH, THU, TX, TXU, TX26, TX4, T1 UH, UX, UXU, U1, V1, W1	
	14721-ZH8-810	VALVE, EX. (STELITE).....	1	1	-	-		
	14721-ZE7-000	VALVE, EX.....	-	-	-	1		
9	14751-ZF1-000	SPRING, VALVE.....	2	2	2	2		
10	14771-ZE1-000	RETAINER, IN. VALVE SPRING....	1	1	1	1		
11	14773-ZE1-000	RETAINER, EX. VALVE SPRING....	1	1	1	-		
	14771-ZE1-000	RETAINER, IN. VALVE SPRING....	-	-	-	1		
12	14781-ZE1-000	ROTATOR, VALVE.....	1	1	1	-		
13	14791-ZE1-010	PLATE, PUSH ROD GUIDE.....	1	1	1	1		
14	90012-ZE0-010	BOLT, PIVOT (8MM).....	2	2	2	2		
15	90206-ZE1-000	NUT, PIVOT ADJUSTING.....	2	2	2	2		
16	14100-ZH8-690	CAMSHAFT ASSY.....	1	-	-	-	NW	
17	14411-ZH7-V91	CHAIN, P-T-O. DRIVE (DID270FH DHA-3)	1	-	-	-	NW	



Service Item	F.R.T.
STARTER ASSY., RECOIL.....	0.1
REEL, RECOIL STARTER.....	0.3
.SPRING, RECOIL STARTER	
.ROPE, RECOIL STARTER	
RATCHET, STARTER.....	0.2
.GUIDE, RATCHET	

**2**

Ref. No.	Part No.	Description	Reqd. QTY				Serial No.	Type	
			GX160K1 (1)	(2)	(3)	(4)			
1	28400-ZH8-003ZA	STARTER ASSY., RECOIL *R8*.....BRIGHT RED	1	(1)	-	-	2438252	EN,ET,ETX,HH,HX,H1,LD,LH,LTA,LWZ,LX,L1,PH,PM,PMZ,PX,QA,QD QE,QH,QHE,QM,QNT,QT,QX,QXE,QZ,Q1,RAC,RD,RH,RX,RXE,R1,SAC,SD SDS,SE,SEE,SH,STA,SWX,SWZ, SX,SXE,S1,TH, TX,T1,UH,UX,U1,VA VEBM,VED,VED1,VH,VS,VSD,VSX,VX,VXE,V1,W1	
	28400-ZH8-013ZA	*R8*.....BRIGHT RED	1	-	1	1		ARC6,BIH,HHQ4,HH26,HXE,HXE8,HXU,HX26,HX4,KTA,LAX,LDB1,LDB3 LDM,LD4,LHB3,LHQ4,LHW,LSJ4,LSS4,LVSH,LXU,LX26,LX4,NW,PHM PHU,PXU,QAB1,QAB3,QA26,QBT6,QBU2,QFE4,QHP1,QHQ4,QH26,QIH1 QKA4,QMC6,QMC8,QMD6,QME4,QMH,QNT2,QNT4,QNZ,QP,QPU,QVSH,QWA4 QXB,QXB1,QXC6,QXE4,QXE6,QXE8,QXU,QXW,QXW2,QX26,QX4,RD4,REX4 RHQ4,RH26,RMB4,RSK,RXE4,RXU,RX4,SAD2,SDB1,SDB3,SDN,SDS2 SDS3,SD16,SD4,SHM,SHQ4,SHR4,SIH,SMB4,SMC7,SMC9,SM14, SXB SXE4,SXS4,SXU, SX4,THU, TXU, TX26, TX4, UIH, UXU, VED2, VED3, VGE4 VHH4,VHQ4,VIH,VIH1,VMB3,VMS4, VMT, VPM4, VPR4, VSDP, VSD1, VSX1 VSX3,VS1,VTE2,VTU1,VVSH,VXE4,VXE6,VXG,VXM,VXP,VXU,VXU1,VX26 VX4,WIH1,WKT4,WMB0,WME4	
			1	(1)	-	-	2438253	EN,ET,ETX,HH,HX,H1,LD,LH,LTA,LWZ,LX,L1,PH,PM,PMZ,PX,QA,QD QE,QH,QHE,QM,QNT,QT,QX,QXE,QZ,Q1,RAC,RD,RH,RX,RXE,R1,SAC,SD SDS,SE,SEE,SH,STA,SWX,SWZ, SX,SXE,S1,TH, TX,T1,UH,UX,U1,VA VEBM,VED,VED1,VH,VS,VSD,VSX,VX,VXE,V1,W1	
			1	-	-	-	2438253	6219318	QT
			1	-	-	-	5551817	5551817	SWG4
	28400-ZH8-013ZB	*NH1*.....BLACK	1	-	-	-		QBU2,QMC8,QNT2,QX4,RD,SMB4,SM14, TX4, VED, VED1	
	28400-ZH8-013ZC	*T39*.....GEKO BLUE	1	-	-	-		VMB3,VX4	
	28400-ZH8-013ZD	*T41*...BARTELL BLUE METALLIC	1	-	-	-		QBT6,QX4	
	28400-ZH8-013ZG	*NH105*...MAT BLACK (#15-#20)	1	-	-	-		VX4	
	28400-ZH8-013ZP	*T68*.....TSURUMI BLUE	1	-	-	-		VED2	
	28400-ZH8-013ZQ	*Y131*.....LIGHTNING YELLOW	1	-	-	-		VSX1	
	28400-ZH8-013ZT	*T77*.....SEC WINE RED	1	-	-	-		VSX	



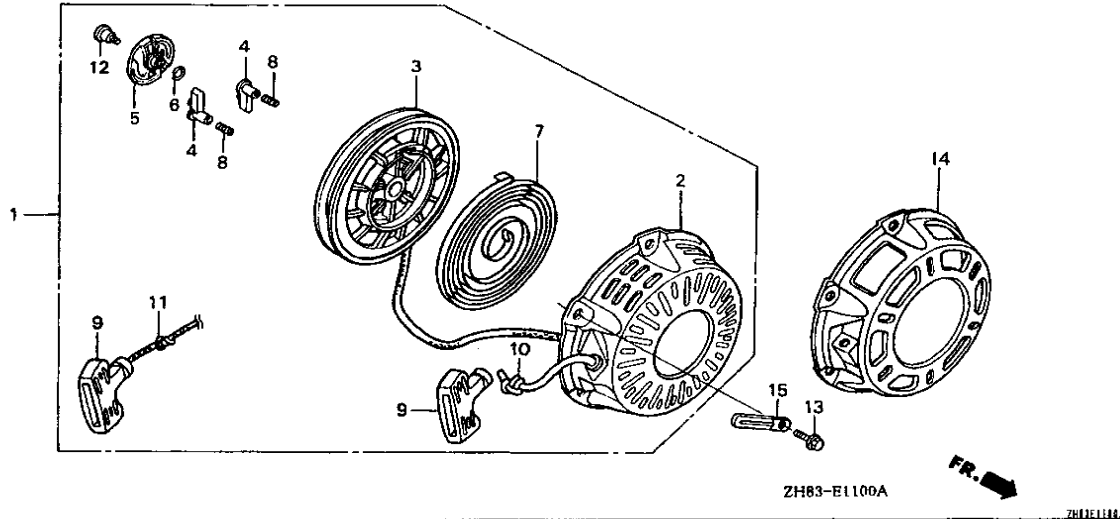
ZHB3-E1100A

ZHB3-E1100A

Ref. No.	Part No.	Description	Reqd. QTY				Serial No.	Type
			(1)	(2)	(3)	(4)		
(1)	28400-ZH8-013ZW	STARTER ASSY., RECOIL	1	-	-	-	-	VTD,VTD1,VTX,VTX1
		*T80*.....BAKERITE ORANGE						
	28400-ZH8-821ZA	STARTER ASSY., RECOIL						
		(LONG ROPE)						
		*R8*.....BRIGHT RED	-	(1)	-	-	2438252	
	28400-ZH8-822ZA	*R8*.....BRIGHT RED	-	(1)	-	-	2438253	
2	28410-ZH8-003ZA	CASE COMP., RECOIL STARTER	1	(1)	1	1		ARC6,BIH,EN,ET,ETX,HH,HHQ4,HH26,HX,HXE,HXE8,HXU,HX26,HX4,H1
		*R8*.....BRIGHT RED						KTA,LAX,LD,LDB1,LDB3,LDM,LD4,LH,LHB3,LHQ4,LHW,LSJ4,LSS4,LTA
								LVSH,LWZ,LX,LXU,LX26,LX4,L1,NW,PH,PHM,PHU,PM,PMZ,PX,PXU,QA
								QAB1,QAB3,QA26,QBT6,QBU2,QD,QE,QFE4,QH,QHE,QHP1,QHQ4,QH26
								QIH1,QKA4,QM,QMC6,QMC8,QMD6,QME4,QMH,QNT,QNT2,QNT4,QNZ,QP
								QPU,QVSH,QWA4,QX,QXB,QXB1,QXC6,QXE,QXE4,QXE6,QXE8,QXU,QXW
								QXW2,QX26,QX4,QZ,Q1,RAC,RD,RD4,REX4,RH,RHQ4,RH26,RMB4,RSK
								RX,RXE,RXE4,RXU,RX4,R1,SAC,SAD2,SD,SDB1,SDB3,SDN,SDS,VH
								VHH4,VHQ4,VIH,VIH1,VMB3,VMS4,VMT,VPM4,VPR4,VS,VSD,VSDP,VSD1
								VSX,VSX1,VSX3,VS1,VTE2,VTU1,VVSH,VX,VXE,VXE4,VXE6,VXG,VXM
								VXP,VXU,VXU1,VX26,VX4,V1,WIH1,WKT4,WMB0,WME4,W1
			1	-	-	-	6219318	QT
			1	-	-	-	5551817	SWG4
	28410-ZH8-003ZB	*NH1*.....BLACK	1	-	-	-		QBU2,QMC8,QNT2,QX4,RD,SMB4,SM14,TX4,VED,VED1
	28410-ZH8-003ZC	*T39*.....GEKO BLUE	1	-	-	-		VMB3,VX4
	28410-ZH8-003ZD	*T41*...BARTELL BLUE METALLIC	1	-	-	-		QBT6,QX4
	28410-ZH8-003ZG	*NH105*...MAT BLACK (#15-#20)	1	-	-	-		VX4
	28410-ZH8-003ZP	*T68*.....TSURUMI BLUE	1	-	-	-		VED2
	28410-ZH8-003ZQ	*Y131*.....LIGHTNING YELLOW	1	-	-	-		VSX1
	28410-ZH8-003ZT	*T77*.....SEC WINE RED	1	-	-	-		VSX
	28410-ZH8-003ZW	*T80*.....BAKERITE ORANGE	1	-	-	-		VTD,VTD1,VTX,VTX1

Ref. No.	Part No.	Description	Reqd. QTY				Serial No.	Type
			(1)	(2)	(3)	(4)		
3	28420-ZH8-003	REEL, RECOIL STARTER (BLACK)..	1	(1)	-	-	2438252	EN, ET, ETX, HH, HX, H1, LD, LH, LTA, LWZ, LX, L1, PH, PM, PMZ, PX, QA, QD, QE, QH, QHE, QM, QNT, QT, QX, QXE, QZ, Q1, RAC, RD, RH, RX, RXE, R1, SAC, SD, SDS, SE, SEE, SH, STA, SWX, SWZ, SX, SXE, S1, TH, TX, T1, UH, UX, U1, VA, VEBM, VED, VED1, VH, VS, VSD, VSX, VX, VXE, V1, W1
	28420-ZH8-013	REEL, RECOIL STARTER (NATURAL) (COLOR: NATURE)	1	-	1	1	-----	ARC6, BIH, HHQ4, HH26, HXE, HXE8, HXU, HX26, HX4, KTA, LAX, LDB1, LDB3, LDM, LD4, LHB3, LHQ4, LHW, LSJ4, LSS4, LVSH, LXU, LX26, LX4, NW, PHM, PHU, PXU, QAB1, QAB3, QA26, QBT6, QBU2, QFE4, QHP1, QHQ4, QH26, QIH1, QKA4, QMC6, QMC8, QMD6, QME4, QMH, QNT2, QNT4, QNZ, QP, QPU, QVSH, QWA4, QXB, QXB1, QXC6, QXE4, QXE6, QXE8, QXU, QXW, QXW2, QX26, QX4, RD4, REX4, RHQ4, RH26, RMB4, RSK, RXE4, RXU, RX4, SAD2, SDB1, SDB3, SDN, SDS2, SDS3, SD16, SD4, SHM, SHQ4, SHR4, SIH, SMB4, SMC7, SMC9, SM14, SXB, SXE4, SXS4, SXU, SX4, THU, TXU, TX26, TX4, UIH, UXU, VED2, VED3, VGE4, VHH4, VHQ4, VIH, VIH1, VMB3, VMS4, VMT, VPM4, VPR4, VSDP, VSD1, VSX1, VSX3, VS1, VTD, VTD1, VTE2, VTU1, VTX, VTX1, VVSH, VXE4, VXE6, VXG, VXM, VXP, VXU, VXU1, VX26, VX4, WIH1, WKT4, WMBO, WME4
		..	1	(1)	-	-	2438253	EN, ET, ETX, HH, HX, H1, LD, LH, LTA, LWZ, LX, L1, PH, PM, PMZ, PX, QA, QD, QE, QH, QHE, QM, QNT, QT, QX, QXE, QZ, Q1, RAC, RD, RH, RX, RXE, R1, SAC, SD, SDS, SE, SEE, SH, STA, SWX, SWZ, SX, SXE, S1, TH, TX, T1, UH, UX, U1, VA, VEBM, VED, VED1, VH, VS, VSD, VSX, VX, VXE, V1, W1
		..	1	-	-	-	2438253	6219318 QT
		..	1	-	-	-	5551817	SWG4
4	28422-ZH8-003	RATCHET, STARTER.....	2	(2)	-	-	2438252	EN, ET, ETX, HH, HX, H1, LD, LH, LTA, LWZ, LX, L1, PH, PM, PMZ, PX, QA, QD, QE, QH, QHE, QM, QNT, QT, QX, QXE, QZ, Q1, RAC, RD, RH, RX, RXE, R1, SAC, SD, SDS, SE, SEE, SH, STA, SWX, SWZ, SX, SXE, S1, TH, TX, T1, UH, UX, U1, VA, VEBM, VED, VED1, VH, VS, VSD, VSX, VX, VXE, V1, W1
	28422-ZH8-013	.....	2	-	2	2	-----	ARC6, BIH, HHQ4, HH26, HXE, HXE8, HXU, HX26, HX4, KTA, LAX, LDB1, LDB3, LDM, LD4, LHB3, LHQ4, LHW, LSJ4, LSS4, LVSH, LXU, LX26, LX4, NW, PHM, PHU, PXU, QAB1, QAB3, QA26, QBT6, QBU2, QFE4, QHP1, QHQ4, QH26, QIH1, QKA4, QMC6, QMC8, QMD6, QME4, QMH, QNT2, QNT4, QNZ, QP, QPU, QVSH, QWA4, QXB, QXB1, QXC6, QXE4, QXE6, QXE8, QXU, QXW, QXW2, QX26, QX4, RD4, REX4, RHQ4, RH26, RMB4, RSK, RXE4, RXU, RX4, SAD2, SDB1, SDB3, SDN, SDS2, SDS3, SD16, SD4, SHM, SHQ4, SHR4, SIH, SMB4, SMC7, SMC9, SM14, SXB, SXE4, SXS4, SXU, SX4, THU, TXU, TX26, TX4, UIH, UXU, VED2, VED3, VGE4, VHH4, VHQ4, VIH, VIH1, VMB3, VMS4, VMT, VPM4, VPR4, VSDP, VSD1, VSX1, VSX3, VS1, VTD, VTD1, VTE2, VTU1, VTX, VTX1, VVSH, VXE4, VXE6, VXG, VXM, VXP, VXU, VXU1, VX26, VX4, WIH1, WKT4, WMBO, WME4
		..	2	(2)	-	-	2438253	EN, ET, ETX, HH, HX, H1, LD, LH, LTA, LWZ, LX, L1, PH, PM, PMZ, PX, QA, QD, QE, QH, QHE, QM, QNT, QT, QX, QXE, QZ, Q1, RAC, RD, RH, RX, RXE, R1, SAC, SD, SDS, SE, SEE, SH, STA, SWX, SWZ, SX, SXE, S1, TH, TX, T1, UH, UX, U1, VA, VEBM, VED, VED1, VH, VS, VSD, VSX, VX, VXE, V1, W1
		..	2	-	-	-	2438253	6219318 QT
		..	2	-	-	-	5551817	SWG4
5	28433-ZH8-003	GUIDE, RATCHET.....	1	(1)	1	1	-----	ARC6, BIH, EN, ET, ETX, HH, HHQ4, HH26, HX, HXE, HXE8, HXU, HX26, HX4, H1, KTA, LAX, LD, LDB1, LDB3, LDM, LD4, LH, LHB3, LHQ4, LHW, LSJ4, LSS4, LTA, LVSH, LWZ, LX, LXU, LX26, LX4, L1, NW, PH, PHM, PHU, PM, PMZ, PX, PXU, QA, QAB1, QAB3, QA26, QBT6, QBU2, QD, QE, QFE4, QH, QHE, QHP1, QHQ4, QH26, QIH1, QKA4, QM, QMC6, QMC8, QMD6, QME4, QMH, QNT, QNT2, QNT4, QNZ, QP, QPU, QVSH, QWA4, QX, QXB, QXB1, QXC6, QXE, QXE4, QXE6, QXE8, QXU, QXW, QXW2, QX26, QX4, QZ, Q1, RAC, RD, RD4, REX4, RH, RHQ4, RH26, RMB4, RSK, RX, RXE, RXE4, RXU, RX4, R1, SAC, SAD2, SD, SDB1, SDB3, SDN, SDS, VH, VHH4, VHQ4, VIH, VIH1, VMB3, VMS4, VMT, VPM4, VPR4, VS, VSD, VSDP, VSD1, VSX, VSX1, VSX3, VS1, VTD, VTD1, VTE2, VTU1, VTX, VTX1, VVSH, VX, VXE, VXE4, VXE6, VXG, VXM, VXP, VXU, VXU1, VX26, VX4, V1, WIH1, WKT4, WMBO, WME4, W1
		..	1	-	-	-	6219318	QT
		..	1	-	-	-	5551817	SWG4

2

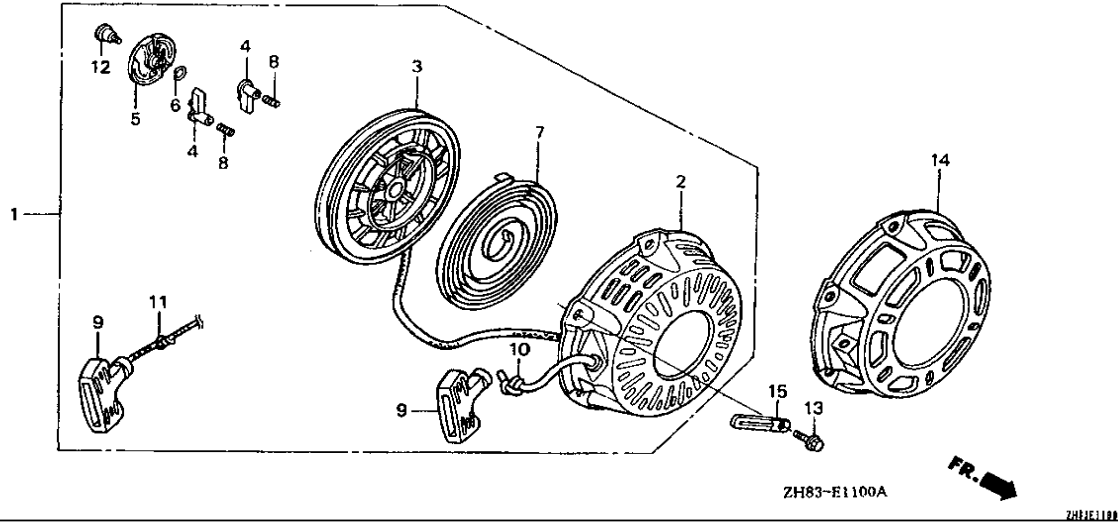


Ref. No.	Part No.	Description	Reqd. QTY				Serial No.	Type
			(1)	(2)	(3)	(4)		
6	28441-ZH8-003	SPRING, FRICTION.....	1	(1)	1	1	-----	ARC6, BIH, EN, ET, ETX, HH, HHQ4, HH26, HX, HXE, HXE8, HXU, HX26, HX4, H1 KTA, LAX, LD, LDB1, LDB3, LDM, LD4, LH, LHB3, LHQ4, LHW, LSJ4, LSS4, LTA LVSH, LWZ, LX, LXU, LX26, LX4, L1, NW, PH, PHM, PHU, PM, PMZ, PX, PXU, QA QAB1, QAB3, QA26, QBT6, QBU2, QD, QE, QFE4, QH, QHE, QHP1, QHQ4, QH26 QIH1, QKA4, QM, QMC6, QMC8, QMD6, QME4, QMH, QNT, QNT2, QNT4, QNZ, QP QPU, QVSH, QWA4, QX, QXB, QXB1, QXC6, QXE, QXE4, QXE6, QXE8, QXU, QXW QXW2, QX26, QX4, QZ, Q1, RAC, RD, RD4, REX4, RH, RHQ4, RH26, RMB4, RSK RX, RXE, RXE4, RXU, RX4, R1, SAC, SAD2, SD, SDB1, SDB3, SDN, SDS, VH VHH4, VHQ4, VIH, VIH1, VMB3, VMS4, VMT, VPM4, VPR4, VS, VSD, VSDP, VSD1 VSX, VSX1, VSX3, VS1, VTD, VTD1, VTE2, VTU1, VTX, VTX1, VVSH, VX, VXE VXE4, VXE6, VXG, VXM, VXP, VXU, VXU1, VX26, VX4, V1, WIH1, WKT4, WMO WME4, W1
			1	-	-	-	-----	6219318 QT
			1	-	-	-	-----	5551817 SWG4
7	28442-ZH8-003	SPRING, RECOIL STARTER.....	1	(1)	1	1	-----	ARC6, BIH, EN, ET, ETX, HH, HHQ4, HH26, HX, HXE, HXE8, HXU, HX26, HX4, H1 KTA, LAX, LD, LDB1, LDB3, LDM, LD4, LH, LHB3, LHQ4, LHW, LSJ4, LSS4, LTA LVSH, LWZ, LX, LXU, LX26, LX4, L1, NW, PH, PHM, PHU, PM, PMZ, PX, PXU, QA QAB1, QAB3, QA26, QBT6, QBU2, QD, QE, QFE4, QH, QHE, QHP1, QHQ4, QH26 QIH1, QKA4, QM, QMC6, QMC8, QMD6, QME4, QMH, QNT, QNT2, QNT4, QNZ, QP QPU, QVSH, QWA4, QX, QXB, QXB1, QXC6, QXE, QXE4, QXE6, QXE8, QXU, QXW QXW2, QX26, QX4, QZ, Q1, RAC, RD, RD4, REX4, RH, RHQ4, RH26, RMB4, RSK RX, RXE, RXE4, RXU, RX4, R1, SAC, SAD2, SD, SDB1, SDB3, SDN, SDS, VH VHH4, VHQ4, VIH, VIH1, VMB3, VMS4, VMT, VPM4, VPR4, VS, VSD, VSDP, VSD1 VSX, VSX1, VSX3, VS1, VTD, VTD1, VTE2, VTU1, VTX, VTX1, VVSH, VX, VXE VXE4, VXE6, VXG, VXM, VXP, VXU, VXU1, VX26, VX4, V1, WIH1, WKT4, WMO WME4, W1
			1	-	-	-	-----	6219318 QT
			1	-	-	-	-----	5551817 SWG4



Ref. No.	Part No.	Description	Reqd. QTY				Serial No.	Type
			(1)	(2)	(3)	(4)		
8	28443-ZH8-003	SPRING, RETURN.....	2	(2)	2	2	-----	ARC6,BIH,EN,ET,ETX,HH,HHQ4,HH26,HX,HXE,HXE8,HXU,HX26,HX4,H1 KTA,LAX,LD,LDB1,LDB3,LDM,LD4,LH,LHB3,LHQ4,LHW,LSJ4,LSS4,LTA LVSH,LWZ,LX,LXU,LX26,LX4,L1,NW,PH,PHM,PHU,PM,PMZ,PX,PXU,QA QAB1,QAB3,QA26,QBT6,QBU2,QD,QE,QFE4,QH,QHE,QHP1,QHQ4,QH26 QIH1,QKA4,QM,QMC6,QMC8,QMD6,QME4,QMH,QNT,QNT2,QNT4,QNZ,QP QPU,QVSH,QWA4,QX,QXB,QXB1,QXC6,QXE,QXE4,QXE6,QXE8,QXU,QXW QXW2,QX26,QX4,QZ,Q1,RAC,RD,RD4,REX4,RH,RHQ4,RH26,RMB4,RSK RX,RXE,RXE4,RXU,RX4,R1,SAC,SAD2,SD,SDB1,SDB3,SDN,SDS,VH VHH4,VHQ4,VIH,VIH1,VMB3,VMS4,VMT,VPM4,VPR4,VS,VSD,VSDP,VSD1 VSX,VSX1,VSX3,VS1,VD,VD1,VTE2,VTU1,VTX,VTX1,VVSH,VX,VXE VXE4,VXE6,VXG,VXM,VXP,VXU,VXU1,VX26,VX4,V1,WIH1,WKT4,WMB0 WME4,W1
			2	-	-	-	-----	6219318 QT
			2	-	-	-	-----	5551817 SWG4
9	28461-ZH8-003	GRIP, STARTER.....	1	(1)	1	1	-----	ARC6,BIH,EN,ET,ETX,HH,HHQ4,HH26,HX,HXE,HXE8,HXU,HX26,HX4,H1 KTA,LAX,LD,LDB1,LDB3,LDM,LD4,LH,LHB3,LHQ4,LHW,LSJ4,LSS4,LTA LVSH,LWZ,LX,LXU,LX26,LX4,L1,NW,PH,PHM,PHU,PM,PMZ,PX,PXU,QA QAB1,QAB3,QA26,QBT6,QBU2,QD,QE,QFE4,QH,QHE,QHP1,QHQ4,QH26 QIH1,QKA4,QM,QMC6,QMC8,QMD6,QME4,QMH,QNT,QNT2,QNT4,QNZ,QP QPU,QVSH,QWA4,QX,QXB,QXB1,QXC6,QXE,QXE4,QXE6,QXE8,QXU,QXW QXW2,QX26,QX4,QZ,Q1,RAC,RD,RD4,REX4,RH,RHQ4,RH26,RMB4,RSK RX,RXE,RXE4,RXU,RX4,R1,SAC,SAD2,SD,SDB1,SDB3,SDN,SDS,VH VHH4,VHQ4,VIH,VIH1,VMB3,VMS4,VMT,VPM4,VPR4,VS,VSD,VSDP,VSD1 VSX,VSX1,VSX3,VS1,VD,VD1,VTE2,VTU1,VTX,VTX1,VVSH,VX,VXE VXE4,VXE6,VXG,VXM,VXP,VXU,VXU1,VX26,VX4,V1,WIH1,WKT4,WMB0 WME4,W1
			1	-	-	-	-----	6219318 QT
			1	-	-	-	-----	5551817 SWG4
10	28462-ZH8-003	ROPE, RECOIL STARTER.....	1	(1)	1	1	-----	ARC6,BIH,EN,ET,ETX,HH,HHQ4,HH26,HX,HXE,HXE8,HXU,HX26,HX4,H1 KTA,LAX,LD,LDB1,LDB3,LDM,LD4,LH,LHB3,LHQ4,LHW,LSJ4,LSS4,LTA LVSH,LWZ,LX,LXU,LX26,LX4,L1,NW,PH,PHM,PHU,PM,PMZ,PX,PXU,QA QAB1,QAB3,QA26,QBT6,QBU2,QD,QE,QFE4,QH,QHE,QHP1,QHQ4,QH26 QIH1,QKA4,QM,QMC6,QMC8,QMD6,QME4,QMH,QNT,QNT2,QNT4,QNZ,QP QPU,QVSH,QWA4,QX,QXB,QXB1,QXC6,QXE,QXE4,QXE6,QXE8,QXU,QXW QXW2,QX26,QX4,QZ,Q1,RAC,RD,RD4,REX4,RH,RHQ4,RH26,RMB4,RSK RX,RXE,RXE4,RXU,RX4,R1,SAC,SAD2,SD,SDB1,SDB3,SDN,SDS,VH VHH4,VHQ4,VIH,VIH1,VMB3,VMS4,VMT,VPM4,VPR4,VS,VSD,VSDP,VSD1 VSX,VSX1,VSX3,VS1,VD,VD1,VTE2,VTU1,VTX,VTX1,VVSH,VX,VXE VXE4,VXE6,VXG,VXM,VXP,VXU,VXU1,VX26,VX4,V1,WIH1,WKT4,WMB0 WME4,W1
			1	-	-	-	-----	6219318 QT
			1	-	-	-	-----	5551817 SWG4
11	28462-ZH8-821	ROPE, RECOIL STARTER (LONG)...	-	(1)	-	-	-----	

2



Service Item F.R.T.

Ref. No.	Part No.	Description	Reqd. QTY				Serial No.	Type
			(1)	(2)	(3)	(4)		
12	90003-ZH8-003	SCREW, SETTING.....	1	(1)	1	1	-----	ARC6, BIH, EN, ET, ETX, HH, HHQ4, HH26, HX, HXE, HXE8, HXU, HX26, HX4, H1 KTA, LAX, LD, LDB1, LDB3, LDM, LD4, LH, LHB3, LHQ4, LHW, LSJ4, LSS4, LTA LVSH, LWZ, LX, LXU, LX26, LX4, L1, NW, PH, PHM, PHU, PM, PMZ, PX, PXU, QA QAB1, QAB3, QA26, QBT6, QBU2, QD, QE, QFE4, QH, QHE, QHP1, QHQ4, QH26 QIH1, QKA4, QM, QMC6, QMC8, QMD6, QME4, QMH, QNT, QNT2, QNT4, QNZ, QP QPU, QVSH, QWA4, QX, QXB, QXB1, QXC6, QXE, QXE4, QXE6, QXE8, QXU, QXW QXW2, QX26, QX4, QZ, Q1, RAC, RD, RD4, REX4, RH, RHQ4, RH26, RMB4, RSK RX, RXE, RXE4, RXU, RX4, R1, SAC, SAD2, SD, SDB1, SDB3, SDN, SDS, VH VHH4, VHQ4, VIH, VIH1, VMB3, VMS4, VMT, VPM4, VPR4, VS, VSD, VSDP, VSD1 VSX, VSX1, VSX3, VS1, VTD, VTD1, VTE2, VTU1, VTX, VTX1, VVSH, VX, VXE VXE4, VXE6, VXG, VXM, VXP, VXU, VXU1, VX26, VX4, V1, WIH1, WKT4, WMB0 WME4, W1
			1	-	-	-	-----	6219318 QT
			1	-	-	-	-----	5551817 SWG4
13	95701-06008-00	BOLT, FLANGE, 6X8.....	3	(3)	3	3	-----	ARC6, BIH, EN, ET, ETX, HH, HHQ4, HH26, HX, HXE, HXE8, HXU, HX26, HX4, H1 KTA, LAX, LD, LDB1, LDB3, LDM, LD4, LH, LHB3, LHQ4, LHW, LSJ4, LSS4, LTA LVSH, LWZ, LX, LXU, LX26, LX4, L1, NW, PH, PHM, PHU, PM, PMZ, PX, PXU, QA QAB1, QAB3, QA26, QBT6, QBU2, QD, QE, QFE4, QH, QHE, QHP1, QHQ4, QH26 QIH1, QKA4, QM, QMC6, QMC8, QMD6, QME4, QMH, QNT, QNT2, QNT4, QNZ, QP QPU, QVSH, QWA4, QX, QXB, QXB1, QXC6, QXE, QXE4, QXE6, QXE8, QXU, QXW QXW2, QX26, QX4, QZ, Q1, RAC, RD, RD4, REX4, RH, RHQ4, RH26, RMB4, RSK RX, RXE, RXE4, RXU, RX4, R1, SAC, SAD2, SD, SDB1, SDB3, SDN, SDS, VGE4 VH, VHH4, VHQ4, VIH, VIH1, VMB3, VMS4, VMT, VPM4, VPR4, VSD, VSDP, VSD1 VSX1, VSX3, VS1, VTD, VTD1, VTE2, VTU1, VTX, VTX1, VVSH, VX, VXE, VXE4 VXE6, VXG, VXM, VXP, VXU, VXU1, VX26, VX4, V1, WIH1, WKT4, WMB0, WME4 W1
			3	-	-	-	-----	6219318 QT
			3	-	-	-	-----	2438430 VS, VSX
14	28414-ZK8-V70	CASE B, STARTER.....	1	-	-	-	-----	5551818 SWG4

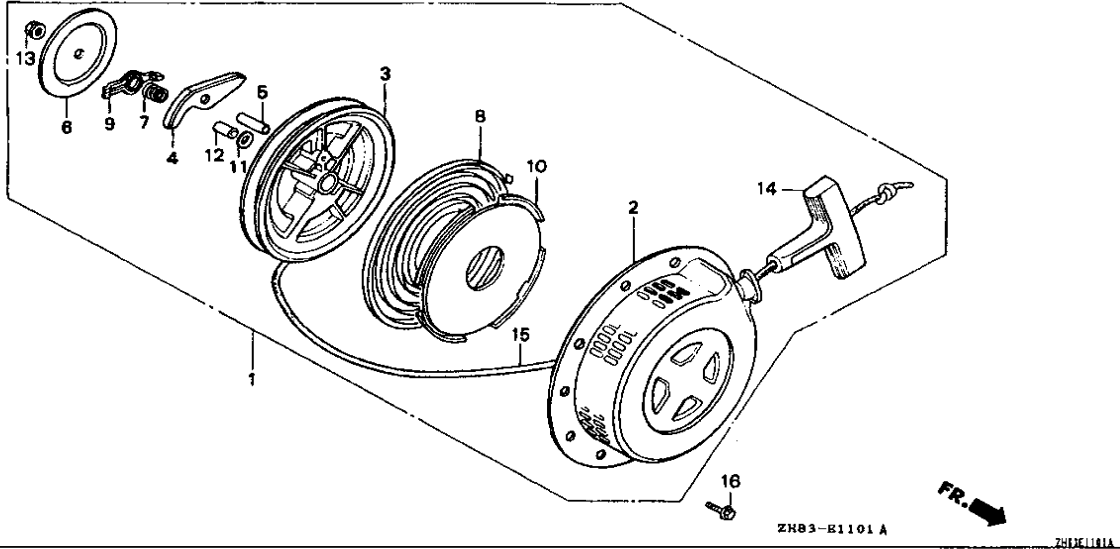
F 10

Recoil starter (1)

E - 11

Ref. No.	Part No.	Description	Reqd. QTY				Serial No.	Type
			(1)	(2)	(3)	(4)		
15	32901-MA1-000	CLIP, SUB CORD.....	1	-	-	-	SM14	

2



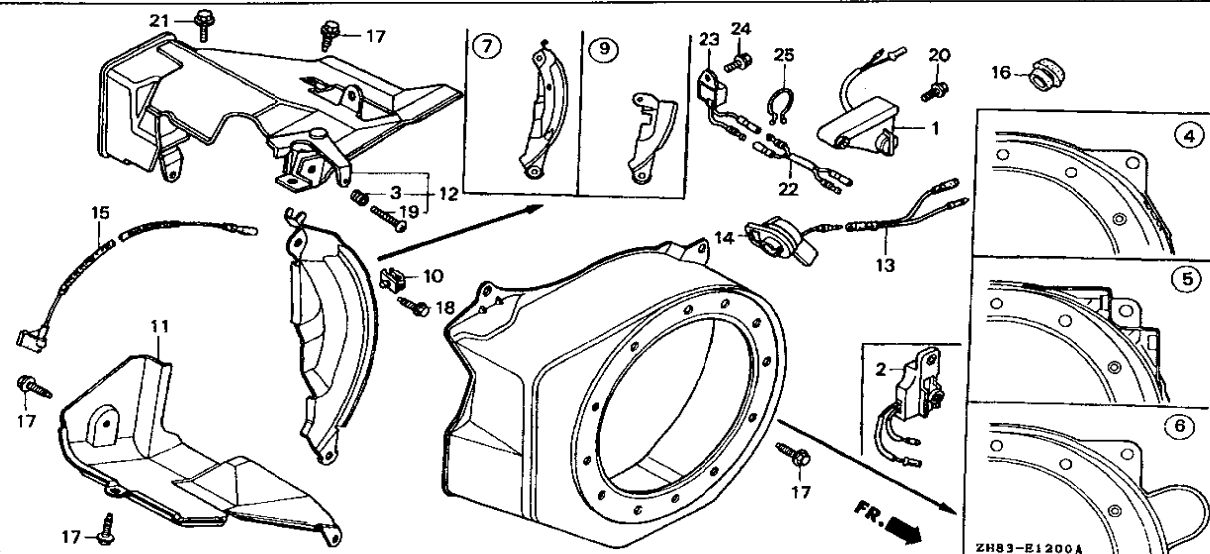
Service Item	F.R.T.
STARTER ASSY., RECOIL.....	0.1
PULLEY, RECOIL STARTER.....	0.4
.SPRING, RECOIL STARTER	
.ROPE, RECOIL STARTER	
RATCHET, STARTER.....	0.2
.GUIDE, RATCHET	

2

Ref. No.	Part No.	Description	Reqd. QTY				Serial No.	Type
			5X160X1					
			(1)	(2)	(3)	(4)		
1	28400-ZB2-000ZB	STARTER ASSY., RECOIL	1	-	-	-		VSB1, VSW, VS3, VS4
		*R8*.....BRIGHT RED	1	-	-	-		VS3
	28400-ZB2-000ZD	*NH1*.....BLACK	1	-	-	-		VS3, VS4
	28400-ZB2-000ZE	*Y131*.....LIGHTNING YELLOW	1	-	-	-		VS3, VS4
	28400-ZB2-000ZF	*T77*.....SEC WINE RED	1	-	-	-		VS3
	28400-ZB2-000ZG	*T80*.....BAKERITE ORANGE	1	-	-	-		VS3
	28400-ZE1-003ZA	*R8*.....BRIGHT RED	1	-	-	6219319		QT
2	28410-ZB2-000ZB	CASE COMP., RECOIL STARTER	1	-	-	-		VSB1, VSW, VS3, VS4
		*R8*.....BRIGHT RED	1	-	-	-		VS3
	28410-ZB2-000ZE	*NH1*.....BLACK	1	-	-	-		VS3, VS4
	28410-ZB2-000ZF	*Y131*.....LIGHTNING YELLOW	1	-	-	-		VS3, VS4
	28410-ZB2-000ZG	*T77*.....SEC WINE RED	1	-	-	-		VS3
	28410-ZB2-000ZH	*T80*.....BAKERITE ORANGE	1	-	-	-		VS3
	28410-ZE1-003ZA	*R8*.....BRIGHT RED	1	-	-	6219319		QT
3	28420-ZE1-003	PULLEY, RECOIL STARTER.....	1	-	-	6219319		QT
			1	-	-	-		VSB1, VSW, VS3, VS4
4	28422-ZE1-003	RATCHET, STARTER.....	1	-	-	6219319		QT
			1	-	-	-		VSB1, VSW, VS3, VS4
5	28423-ZE1-003	PIN, STARTER RATCHET.....	1	-	-	6219319		QT
			1	-	-	-		VSB1, VSW, VS3, VS4
6	28431-ZE1-003	PLATE, FRICTION.....	1	-	-	6219319		QT
			1	-	-	-		VSB1, VSW, VS3, VS4
7	28441-ZE1-003	SPRING, FRICTION.....	1	-	-	6219319		QT
			1	-	-	-		VSB1, VSW, VS3, VS4
8	28442-ZE1-003	SPRING, RECOIL STARTER.....	1	-	-	6219319		QT
			1	-	-	-		VSB1, VSW, VS3, VS4
9	28443-ZE1-003	GUIDE, RATCHET.....	1	-	-	6219319		QT
			1	-	-	-		VSB1, VSW, VS3, VS4

Ref. No.	Part No.	Description	Reqd. QTY				Serial No.	Type
			GX160K1					
			(1)	(2)	(3)	(4)		
10	28445-ZE1-003	CASE, RECOIL STARTER SPRING...	1	-	-	-	6219319	----- QT
			1	-	-	-	-----	VSB1,VSW,VS3,VS4
11	28446-ZE1-003	WASHER, STARTER.....	1	-	-	-	6219319	----- QT
			1	-	-	-	-----	VSB1,VSW,VS3,VS4
12	28447-ZE1-003	SHAFT, SUB.....	1	-	-	-	6219319	----- QT
			1	-	-	-	-----	VSB1,VSW,VS3,VS4
13	28448-ZE1-003	NUT.....	1	-	-	-	6219319	----- QT
			1	-	-	-	-----	VSB1,VSW,VS3,VS4
14	28461-ZE1-003	KNOB, RECOIL STARTER.....	1	-	-	-	6219319	----- QT
			1	-	-	-	-----	VSB1,VSW,VS3,VS4
15	28462-ZE1-003	ROPE, RECOIL STARTER.....	1	-	-	-	6219319	----- QT
			1	-	-	-	-----	VSB1,VSW,VS3,VS4
16	95701-06008-00	BOLT, FLANGE, 6X8.....	3	-	-	-	6219319	----- QT
			3	-	-	-	-----	VSB1,VSW,VS3,VS4

2



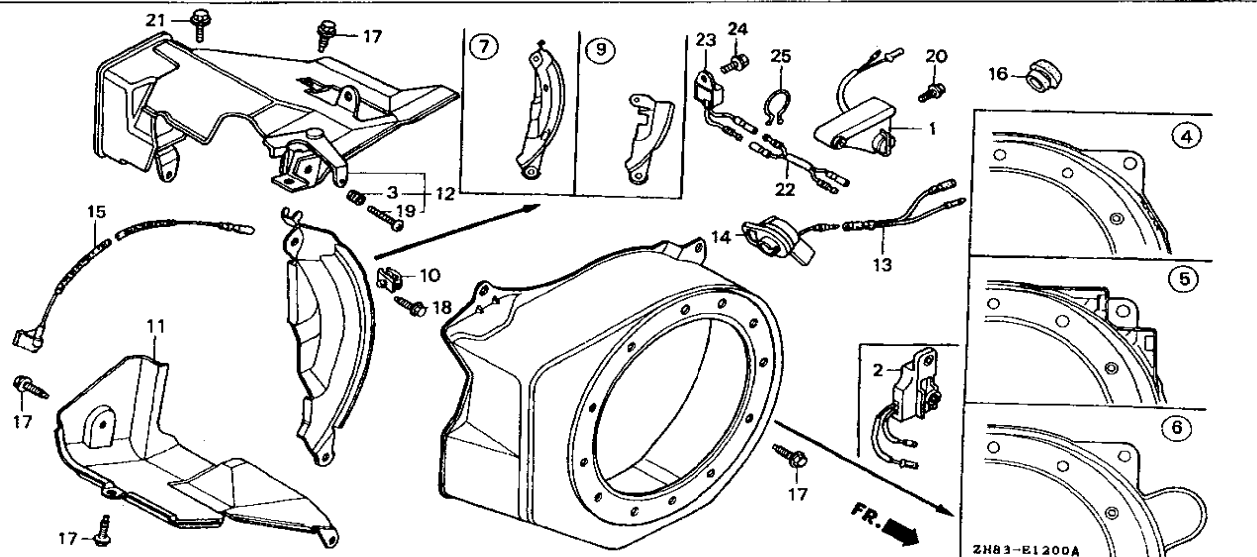
Service Item	F.R.T.
ALERT UNIT, OIL.....	0.1
.SHROUD COMP., LOWER	
.SUB HARNESS	
.SWITCH ASSY., ENGINE STOP	
.CABLE, DOUBLE CONNECTOR	
COVER COMP., FAN.....	0.2
.SHROUD ASSY., UPPER	
PLATE, SIDE.....	0.3
.CORD, STOP SWITCH	

2

Ref. No.	Part No.	Description	Reqd. QTY				Serial No.	Type
			(1)	(2)	(3)	(4)		
1	15520-ZE1-003	ALERT UNIT, OIL.....	1	(1)	-	-	2468252	HX,H1,LX,L1,PX,QNT,QX,Q1,RX,R1,SWX,SX,S1,TX,T1,UX,U1,VA VEBM,VED1,VSD,VSD1,VSX,VX,V1,W1
2	15520-ZE1-822	ALERT UNIT, OIL.....	1	-	-	-	2468252	ETX
	15520-ZB2-003	.....	1	-	-	-	2468252	VS3
3	16584-883-300	SPRING, CONTROL ADJUSTING.....	1	-	-	-	-	VED2,VED3,VMT,VSB1,VSW,VS3,VS4,VTE2,VTX,VTX1
4	19610-ZE1-000ZA	COVER COMP., FAN *R8*.....BRIGHT RED	1	(1)	1	1	-	BIH,EN,ET,ETX,HH,HHQ4,HH26,HXU,HX26,HX4,H1,KTA,LAX,LD,LDB1 LDB3,LDM,LD4,LH,LHB3,LHQ4,LHW,LTA,LVSH,LXU,LX26,LX4,L1,NW PH,PHM,PM,PMZ,PXU,QA,QAB1,QAB3,QA26,QBT6,QBU2,QD,QE,QFE4,QH QHP1,QHQ4,QH26,QIH1,QM,QMC6,QMC8,QMD6,QME4,QMH,QNT2,QNT4,QP QPU,QT,QVSH,QWA4,QXB,QXB1,QXC6,QXU,QX26,QX4,QZ,Q1,RAC,RD RD4,RH,RHQ4,RH26,RMB4,RSK,RXU,RX4,R1,SAC,SAD2,SD,SDB1,SDB3 SDN,SDS2,SDS3,SD16,SD4,SE,SH,SHM,SHQ4,SHR4,SIH,SMB4,SMC7 SMC9,SM14,STA,SBX,SXS4,SXU,SX4,S1,TH,TKU,TX26,TX4,T1,UH,UIH UXU,U1,VED,VED2,VED3,VGE4,VH,VHH4,VHQ4,VIH,VIH1,VMB3,VMS4 VMT,VPM4,VPR4,VS,VSB1,VSDP,VSX1,VSX3,VS1,VS3,VS4,VTE2,VTU1 VVSH,VXG,VXM,VXP,VXU,VXU1,VX26,VX4,V1,WI1,WKT4,WMB0,WME4 W1
			1	-	-	-	2468253	HX,LX,PX,QNT,QX,RX,SWX,SX,TX,UX,VA,VEBM,VED1,VSD,VSX,VX VSD1
			1	-	-	-	2468253 2744590	QBU2,QMC8,QNT2,QX4,RD,SMB4,SM14,TX4,VED,VED1,VS3
	19610-ZE1-000ZC	*NH1*.....BLACK	1	-	-	-	-	VMB3,VX4
	19610-ZE1-000ZD	*T39*.....GEKO BLUE	1	-	-	-	-	QBT6,QX4
	19610-ZE1-000ZF	*T41*.....BARTELL BLUE METALLIC	1	-	-	-	-	VX4
	19610-ZE1-000ZG	*NH105*...MAT BLACK (#15-#20)	1	-	-	-	-	VED2
	19610-ZE1-000ZK	*T68*.....TSURUMI BLUE	1	-	-	-	-	VED2,VSX1,VS3,VS4
	19610-ZE1-000ZL	*Y131*.....LIGHTNING YELLOW	1	-	-	-	-	VSX,VSX1,VS3,VS4
	19610-ZE1-000ZM	*T77*.....SEC WINE RED	1	-	-	-	-	VS3,VTD,VTD1,VTX,VTX1
	19610-ZE1-000ZN	*T80*.....BAKERITE ORANGE	1	-	-	-	-	PHU,THU
	19610-ZH8-T50ZA	*R8*.....BRIGHT RED	1	-	-	-	-	

Ref. No.	Part No.	Description	Reqd. QTY				Serial No.	Type
			GX160K1 (1)	(2)	(3)	(4)		
(4)	19610-ZK8-V00ZA	COVER COMP., FAN *R8*.....BRIGHT RED	1	-	-	-	ARC6	
	19610-ZB2-601ZB	*R8*.....BRIGHT RED	1	-	-	-	LSJ4,LSS4	
5	19610-ZE1-810ZA	COVER COMP., FAN (OIL ALERT) *R8*.....BRIGHT RED	1	(1)	-	-	2468252 HX,H1,LX,L1,PX,QNT,QX,Q1,RX,R1,SWX,SX,S1,UX,T1,UX,U1,VA VEBM,VED1,VSD,VSD1,VSX,VX,V1,W1	
			1	-	-	-	2744591 VSD1	
6	19610-ZE1-820ZA	COVER COMP., FAN (STARTER MOTOR) *R8*.....BRIGHT RED	1	(1)	-	-	H1,L1,QNZ,Q1,R1,SWG4,S1,T1,U1,VSW,V1,W1	
	19610-ZE1-830ZB	*R8*.....BRIGHT RED	1	(1)	-	-	HXE,HXE8,H1,L1,QHE,QKA4,QXE,QXE4,QXE6,QXE8,QXW,QXW2,Q1,REX4 RXE,RXE4,R1,SEE,SXE,SXE4,S1,T1,U1,VXE,VXE4,VXE6,V1,W1	
7	19612-ZH8-000	PLATE, SIDE (STD.).....	1	(1)	1	-	BIH,EN,ET,HH,HHQ4,HH26,H1,KTA,LD,LDB1,LDB3,LDM,LD4,LH,LHB3 LHQ4,LSJ4,LSS4,LTA,LVSH,L1,NW,PH,PHM,PHU,PM,PMZ,QA,QAB1 QAB3,QA26,QD,QE,QFE4,QH,QHP1,QHQ4,QH26,QIH1,QM,QME4,QPU,QT QVSH,QZ,Q1,RAC,RD,RD4,RH,RHQ4,RH26,RMB4,R1,SAC,SD,SDB1,SDB3 SDN,SDS2,SDS3,SD16,SD4,SE,SH,SHM,SHQ4,SHR4,SIH,SMB4,STA,S1 TH,THU,T1,UH,UIH,U1,VED,VH,VHQ4,VIH,VS,VS1,VTE2,V1,WIH1 WMB0,WME4,W1	
	19612-ZH8-810	PLATE, SIDE (OIL ALERT).....	1	(1)	-	-	4795905 ETX,HX,HX26,HX4,LX,LX26,LX4,L1,PX,QBT6,QBU2,QMC8,QMH,QNT QNT2,QX,QXB,QXB1,QXC6,QX26,QX4,RX,RX4,SAD2,SMC7,SWX,SX,SXB SX4,UX,UX26,UX4,T1,UX,VA,VEBM,VED1,VED2,VED3,VGE4,VHH4,VMB3 VMS4,VSD,VSD1,VSX,VSX1,VS3,VS4,VX,VXG,VXM,VXU,VX26,VX4,V1 W1	
			-	(1)	-	-	H1,Q1,R1,S1,U1	
			-	-	1	-	2000028	
	19612-ZH8-830	PLATE, SIDE (ALERT & LAMP)....	1	(1)	-	-	4795905 LAX,L1,QMD6,Q1,R1,SMC9,S1,T1,V1,W1	
			-	(1)	-	-	H1,U1	
	19612-ZK8-V00	PLATE, SIDE.....	1	-	-	-	ARC6	
	19612-ZH8-811	PLATE, SIDE (OIL ALERT).....	1	(1)	-	-	4795906 ETX,QBU2,QNT2,QXB,SAD2,SWX,T1,VA,V1	
			1	(1)	-	-	4795906 5066322 HX,HX26,HX4,LX,LX26,LX4,L1,PX,QBT6,QMC8,QMH,QNT,QX,QXB1 QXC6,QX26,QX4,Q1,RX,RX4,SMC7,SX,SXB,SX4,S1,UX,UX26,UX4,UX VEBM,VED1,VED2,VED3,VGE4,VHH4,VMB3,VMS4,VSD,VSD1,VSX,VSX1 VS3,VS4,VX,VXG,VXM,VXU,VX26,VX4,W1	
			1	-	-	-	5066322 QNT4,VPM4,VPR4,VS1	
			-	-	1	-	2000029 5066322	
	19612-ZH8-820	PLATE, SIDE (LAMP).....	1	(1)	-	-	H1,SWZ,U1	
			1	(1)	-	-	4795906 LAX,T1,V1,W1	
			1	-	-	-	5066322 LWZ,QMC6,QP,RSK,SDS	
			1	(1)	-	-	4795906 5066322 L1,QMD6,Q1,R1,SMC9,S1	
	19612-ZH8-812	PLATE, SIDE.....	1	(1)	-	-	5066323 5372718 HX,HX26,HX4,LX,LX26,LX4,L1,PX,QBT6,QMC8,QMH,QNT,QNT4,QX QXB1,QXC6,QX26,QX4,Q1,RX,RX4,SMC7,SX,SXB,SX4,S1,UX,UX26,UX4 UX,VEBM,VED1,VED2,VED3,VGE4,VHH4,VMB3,VMS4,VPM4,VPR4,VS1 VSD,VSD1,VSX,VSX1,VS3,VS4,VX,VXG,VXM,VXU,VX26,VX4,W1	
			1	-	-	-	QWA4	
			1	-	-	-	5372718 VTD,VTD1,VTX,VTX1	
			-	-	1	-	5066323 2000068	
	19612-ZH8-821	PLATE, SIDE (LAMP).....	1	-	-	-	LHW	
			1	(1)	-	-	5066323 LWZ,L1,QMC6,QP,RSK,R1,SDS	
			1	(1)	-	-	5066323 5372718 QMD6,Q1,SMC9,S1	

2



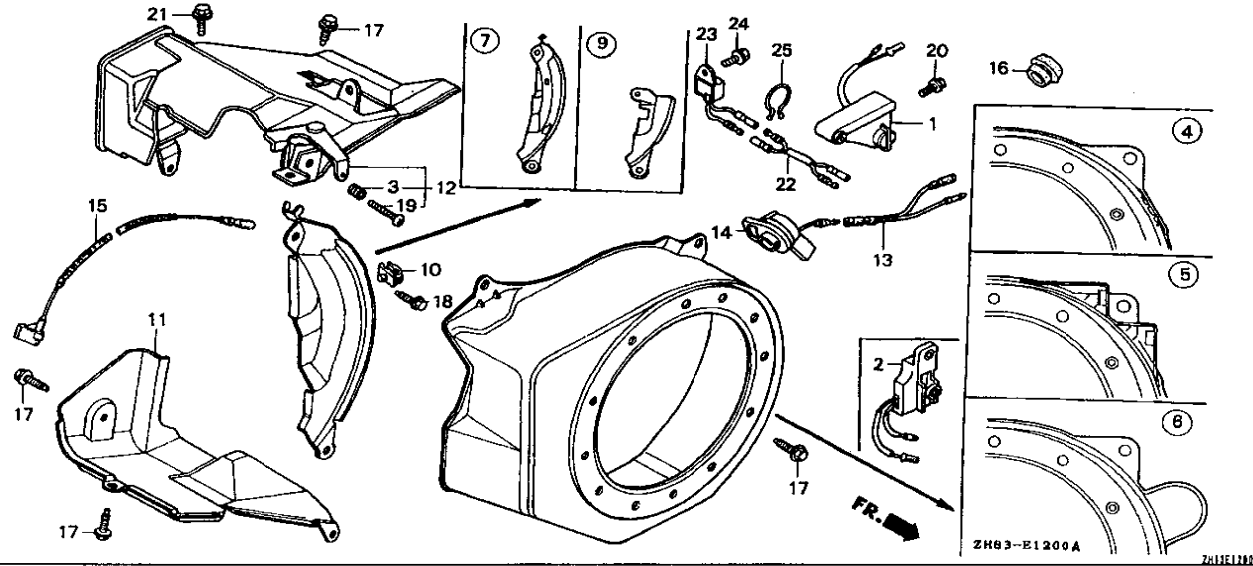
2

Ref. No.	Part No.	Description	Reqd. QTY				Serial No.	Type
			(1)	(2)	(3)	(4)		
(7)	19611-ZH8-810	PLATE COMP., SIDE (OIL ALERT).	1	(1)	-	-	5372719	HX, HX26, HX4, LX, LX26, LX4, L1, PX, QBT6, QMC8, QMH, QNT, QNT4, QX QXB1, QXC6, QX26, QX4, Q1, RX, RX4, SMC7, SX, SXB, SX4, S1, TX, TX26, TX4 UX, VEBM, VED1, VED2, VED3, VGE4, VHH4, VMB3, VMS4, VPM4, VPR4, VSB1 VSD, VSD1, VSX, VSX1, VS3, VS4, VTD, VTD1, VTX, VTX1, VX, VXG, VXM, VXU VX26, VX4, W1
			1	-	1	-		HXU, LXU, PXU, QWA4, QXU, RXU, SM14, SXS4, SXU, TXU, UXU, VIH1, VMT VSX3, VTU1, VVSH, VXU1, WKT4
	19611-ZH8-820	PLATE COMP., SIDE (ALERT & LAMP)	-	-	-	1	2000069	
9	19612-ZH8-840	PLATE, SIDE (STARTER MOTOR)...	1	(1)	-	-	5372719	QMD6, Q1, SMC9, S1
			1	(1)	-	-		HXE, HXE8, H1, L1, QHE, QKA4, QNZ, QXE, QXE4, QXE6, QXE8, QXW, QXW2, Q1 REX4, RXE, RXE4, R1, SEE, SWG4, SXE, SXE4, S1, T1, U1, VSW, VXE, VXE4 VXE6, V1, W1
10	19613-ZE1-000	CLAMPER, CORD.....	1	(1)	-	-		ETX, H1, R1, U1
			1	(1)	-	1	4368640	HX, HX26, HX4, LAX, LX, LX26, LX4, L1, PX, QBT6, QBU2, QMC8, QMD6, QMH QNT, QNT2, QX, QXB, QXB1, QXC6, QX26, QX4, Q1, RX, RX4, SAD2, SMC7, SMC9 SWX, SX, SXB, SX4, S1, TX, TX26, TX4, T1, UX, VA, VEBM, VED1, VHH4, VMB3 VMS4, VSD, VSDP, VSD1, VSX, VSX1, VX, VXG, VXP, VXU, VX26, VX4, V1, W1
	19613-ZE1-010	CLAMP, CORD.....	1	-	-	-	5313298	VED2, VED3, VGE4, VPM4, VPR4, VSB1, VS3, VS4, VTX, VTX1
	19613-ZE1-020	.....	1	-	-	-	5388112	VED2, VED3, VGE4, VPM4, VPR4, VSB1, VS3, VS4, VTX, VTX1
			1	-	-	-		VMT
	90601-ZH7-013	CLIP, HARNESS.....	1	-	-	1	4368641	HX, HX26, HX4, LAX, LX, LX26, LX4, PX, QBT6, QBU2, QMC8, QMD6, QMH, QNT QNT2, QX, QXB, QXB1, QXC6, QX26, QX4, RX, RX4, SAD2, SMC7, SMC9, SWX, SX SXB, SX4, TX, TX26, TX4, UX, VA, VEBM, VED1, VHH4, VMB3, VMS4, VSD, VSDP VSD1, VSX, VSX1, VX, VXG, VXP, VXU, VX26, VX4
			1	-	1	-		HXU, LXU, PXU, QNT4, QWA4, QXU, RXU, SM14, SXS4, SXU, TXU, UXU, VIH1 VSX3, VTD, VTD1, VTU1, VVSH, VXM, VXU1, WKT4
			-	(1)	-	-	4367321	L1, Q1, S1, T1, V1, W1



Ref. No.	Part No.	Description	Reqd. QTY				Serial No.	Type
			(1)	(2)	(3)	(4)		
11	19630-ZH8-000	SHROUD COMP.....	1	1	1	1	-----	BIH, EN, ET, ETX, HH, HHQ4, HH26, HX, HXE, HXE8, HXU, HX26, HX4, H1, KTA, LAX, LD, LDB1, LDB3, LDM, LD4, LH, LHB3, LHQ4, LHW, LSJ4, LSS4, LTA, LVSH, LWZ, LX, LXU, LX26, LX4, L1, NW, PH, PHM, PHU, PM, PMZ, PX, PXU, QA, QAB1, QAB3, QA26, QBT6, QBU2, QD, QE, QFE4, QH, QHE, QHP1, QHQ4, QH26, QIH1, QKA4, QM, QMC6, QMC8, QMD6, QME4, QMH, QNT, QNT2, QNT4, QNZ, QP, QPU, QT, QVSH, QWA4, QX, QXB, QXB1, QXC6, QXE, QXE4, QXE6, QXE8, QXU, QXW, QXW2, QX26, QX4, QZ, Q1, RAC, RD, RD4, REX4, RH, RHQ4, RH26, RMB4, RSK, RX, RXE, RXE4, RXU, RX4, R1, SAC, SAD2, SD, SDB1, SDB3, SDN, SDS, VHH4, VHQ4, VIH, VIH1, VMB3, VMS4, VPM4, VPR4, VS, VSD, VSDP, VSD1, VSX, VSX1, VSX3, VS1, VTD, VTD1, VTU1, VVSH, VX, VXE, VXE4, VXE6, VXG, VXM, VXP, VXU, VXU1, VX26, VX4, V1, WIH1, WKT4, WMBO, WME4, W1, VED2, VED3, VMT, VSB1, VSW, VS3, VS4, VTE2, VTX, VTX1
	19630-ZB2-000	SHROUD COMP., LOWER.....	1	-	-	-	-----	
12	19640-ZB2-000	SHROUD ASSY., UPPER.....	1	-	-	-	-----	3451746 VED2, VED3, VS3, VS4
	19640-ZB2-010	.....	1	-	-	-	-----	VED2, VED3, VS3
			1	-	-	-	-----	VMT, VSB1, VTE2, VTX
			1	-	-	-	-----	5048024 VSW
			1	-	-	-	-----	3451747 5048024 VS4
	19640-ZH8-R60	.....	1	-	-	-	-----	5048025 VSW, VS4
			1	-	-	-	-----	VTX1
13	32197-ZH8-003	SUB HARNESS.....	1	1	-	-	-----	2468253 ETX, HX, H1, LX, L1, PX, QNT, QX, Q1, RX, R1, SWX, SX, S1, TX, T1, UX, U1, VA, VEBM, VED1, VSD, VSD1, VSX, VX, V1, W1
			1	-	-	1	-----	HXU, HX26, HX4, LAX, LSS4, LXU, LX26, LX4, PXU, QBT6, QBU2, QMC8, QMD6, QMH, QNT2, QXB, QXB1, QXC6, QXU, QX26, QX4, RXU, RX4, SAD2, SMC7, SMC9, SXB, SXU, SX4, TXU, TX26, TX4, UXU, VED3, VGE4, VHH4, VMB3, VMS4, VPM4, VPR4, VSDP, VSX1, VTX, VTX1, VXG, VXP, VXU, VXU1, VX26, VX4
			1	-	-	-	-----	2535074 VED2
14	36100-ZE1-015	SWITCH ASSY., ENGINE STOP.....	1	(1)	1	-	-----	ARC6, BIH, EN, HH, HH26, H1, KTA, LD, LDB1, LDB3, LDM, LH, LHB3, LHW, LTA, LVSH, LWZ, L1, NW, PH, PHM, PHU, PM, PMZ, QA, QAB1, QAB3, QA26, QD, QH, QHP1, QH26, QIH1, QM, QP, QT, QVSH, QZ, Q1, RAC, RD, RH, RH26, R1, SAC, SD, SDB1, SDB3, SDN, SDS2, SDS3, SD16, SH, SHM, SIH, STA, S1, TH, THU, T1, UH, UIH, U1, VED, VH, VIH, VS, VS1, V1, WIH1, W1
			1	-	-	-	-----	2468253 4368640 HX, LX, PX, QX, RX, SWX, SX, TX, UX, VA, VEBM, VED1, VSX, VX
			1	-	-	1	-----	4368640 HX26, LAX, LX26, QBT6, QBU2, QMH, QNT2, QXB, QXB1, QXC6, QX26, SAD2, SWZ, SXB, TX26, VSX1, VXP, VXU, VX26
			1	-	-	-	-----	3261481 QE, RSK, SDS, SE, VXG
			1	-	-	-	-----	2468253 3261481 QNT, VSD
			1	-	-	-	-----	2468253 2744590 VSD1
	36100-ZH7-003	.....	1	-	-	1	-----	4368641 HX, HX26, LAX, LX, LX26, PX, QBT6, QBU2, QMH, QNT2, QX, QXB, QXB1, QXC6, QX26, RX, SAD2, SWX, SX, SXB, TX, TX26, UX, VA, VEBM, VED1, VSX, VSX1, VX, VXP, VXU, VX26
			1	-	1	-	-----	HXU, LXU, PXU, QXU, RXU, SXU, TXU, UXU, VIH1, VMT, VSX3, VTD, VTD1, VTU1, VVSH, VXM, VXU1
	36100-ZH8-W41	.....	1	-	-	-	-----	HHQ4, LD4, LHQ4, LSJ4, LSS4, QFE4, QHQ4, QMC6, QME4, RD4, RHQ4, RMB4, SD4, SHQ4, SHR4, SMB4, VGE4, VHQ4, WMBO, WME4
			1	-	-	1	-----	4368640 HX4, LX4, QMC8, QMD6, QX4, RX4, SMC7, SMC9, SX4, TX4, VHH4, VMB3, VMS4, VSDP, VX4
			1	-	-	-	-----	3261482 QE, RSK, SDS, SE
			1	-	-	-	-----	3261482 4368640 QNT, VSD, VXG
	36100-ZH8-W81	SWITCH ASSY., ENGINE STOP (SDMO)	1	-	-	-	-----	2744591 4368640 VSD1
	36100-ZH7-W41	SWITCH ASSY., ENGINE STOP.....	1	-	-	1	-----	4368641 HX4, LX4, QMC8, QMD6, QNT, QX4, RX4, SMC7, SMC9, SX4, TX4, VHH4, VMB3, VMS4, VSD, VSDP, VXG, VX4
			1	-	-	-	-----	QNT4, QWA4, SM14, SXS4, WKT4
	36100-ZH8-W82	SWITCH ASSY., ENGINE STOP (SDMO)	1	-	-	-	-----	4368641 VSD1

2

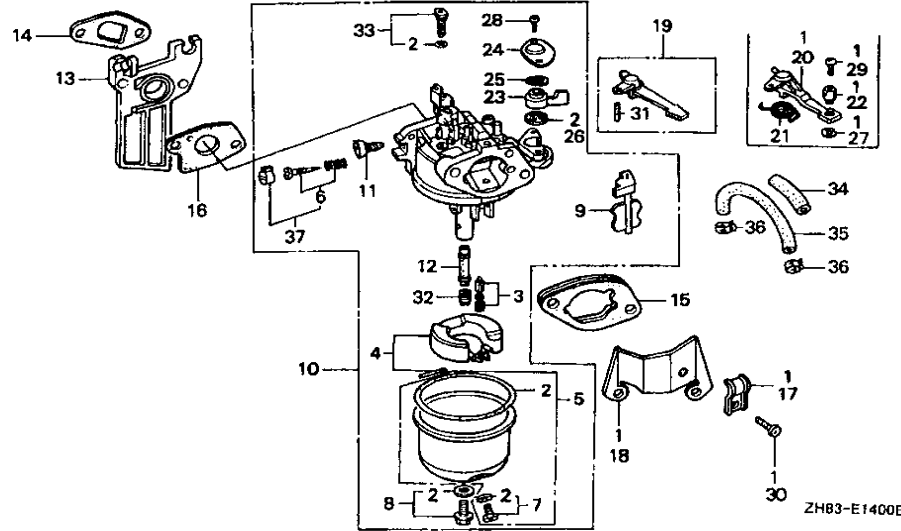


ZH83-E1200A ZHJELJMA

Ref. No.	Part No.	Description	Reqd. QTY				Serial No.	Type
			6X160K1 (1)	(2)	(3)	(4)		
15	36101-ZB2-010	CORD, STOP SWITCH (395MM).....	1	(1)	-	-	-----	HXE,HXE8,H1,L1,QHE,QKA4,QXE,QXE4,QXE6,QXE8,QXW,QXW2,Q1,REX4 RXE,RXE4,R1,SEE,SWG4,SXE,SXE4,S1,T1,U1,VED2,VED3,VSB1,VSW VS3,VS4,VTE2,VTX,VTX1,VXE,VXE4,VXE6,V1,W1
	36101-ZE1-010	CORD, STOP SWITCH (370MM).....	1	(1)	1	1	-----	ARC6,BIH,EN,ET,ETX,HH,HHQ4,HH26,HX,HXU,HX26,HX4,H1,KTA,LAX LD,LDB1,LDB3,LDM,LD4,LH,LHB3,LHQ4,LHW,LSJ4,LSS4,LTA,LVSH LWZ,LX,LXU,LX26,LX4,L1,NW,PH,PHM,PHU,PM,PMZ,PX,PXU,QA,QAB1 QAB3,QA26,QBT6,QBU2,QD,QE,QFE4,QH,QHP1,QHQ4,QH26,QIH1,QM QMC6,QMC8,QMD6,QME4,QMH,QNT,QNT2,QNT4,QNZ,QP,QPU,QT,QVSH QWA4,QX,QXB,QXB1,QXC6,QXU,QX26,QX4,QZ,Q1,RAC,RD,RD4,RH,RHQ4 RH26,RMB4,RSK,RX,RXU,RX4,R1,SAC,SAD2,SD,SDB1,SDB3,SDN,SDS SDS2,SDS3,SD16,SD4,SE,SH,SHM,SHQ4,SHR4,SIH,SMB4,SMC7,VS1 VTD,VTU1,VVSH,VX,VXG,VXM,VXP,VXU,VXU1,VX26,VX4,V1,WIH1 WKT4,WMB0,WME4,W1
16	81329-567-020	GROMMET, DRAIN HOLE.....	1	(1)	-	-	-----	ET,ETX,H1,L1,QPU,Q1,R1,S1,T1,U1,VED2,VED3,VGE4,VPM4,VPR4 VSB1,VS3,VS4,VTE2,VTX,VTX1,V1,W1
17	90013-883-000	BOLT, FLANGE, 6X12 (CT200)....	4	6	6	6	-----	ARC6,BIH,H1,LVSH,L1,QIH1,QVSH,Q1,R1,SIH,S1,T1,UIH,U1,VIH VIH1,VSDP,VVSH,VXP,V1,WIH1,W1
			6	-	-	-	-----	EN,ET,ETX,HH,HHQ4,HH26,HX,HXE,HXE8,HXU,HX26,HX4,KTA,LAX,LD LDB1,LDB3,LDM,LD4,LH,LHB3,LHQ4,LHW,LSJ4,LSS4,LTA,LWZ,LX,LXU LX26,LX4,NW,PH,PHM,PHU,PM,PMZ,PX,PXU,QA,QAB1,QAB3,QA26,QBT6 QBU2,QD,QE,QFE4,QH,QHE,QHP1,QHQ4,QH26,QKA4,QM,QMC6,QMC8 QMD6,QME4,QMH,QNT,QNT2,QNT4,QNZ,QP,QPU,QT,QWA4,QX,QXB,QXB1 QXC6,QXE,QXE4,QXE6,QXE8,QXU,QXW,QXW2,QX26,QX4,QZ,RAC,RD,RD4 REX4,RH,RHQ4,RH26,RMB4,RSK,RX,RXE,RXE4,RXU,RX4,SAC,SAD2,SD SDB1,SDB3,SDN,SDS,SDS2,SDS3,SD16,SD4,SE,SEE,SH,SHM,VTD,VTD1 VTU1,VX,VXE,VXE4,VXE6,VXG,VXM,VXU,VXU1,VX26,VX4,WKT4,WMB0 WME4
			8	-	-	-	-----	VED2,VED3,VMT,VSB1,VSW,VS3,VS4,VTE2,VTX,VTX1

Ref. No.	Part No.	Description	Reqd. QTY				Serial No.	Type
			(1)	(2)	(3)	(4)		
18	90022-888-010	BOLT, FLANGE, 6X20 (CT200)....	1	(1)	1	1	-----	ARC6, BIH, EN, ET, ETX, HH, HHQ4, HH26, HX, HXU, HX26, HX4, H1, KTA, LAX, LD, LDB1, LDB3, LDM, LD4, LH, LHB3, LHQ4, LHW, LSJ4, LSS4, LTA, LVSH, LWZ, LX, LXU, LX26, LX4, L1, NW, PH, PHM, PHU, PM, PMZ, PX, PXU, QA, QAB1, QAB3, QA26, QBT6, QBU2, QD, QE, QFE4, QH, QHP1, QHQ4, QH26, QIH1, QM, QMC6, QMC8, QMD6, QME4, QMH, QNT, QNT2, QNT4, QP, QPU, QT, QVSH, QWA4, QX, QXB, QXB1, QXC6, QXU, QX26, QX4, QZ, Q1, RAC, RD, RD4, RH, RHQ4, RH26, RMB4, RSK, RX, RXU, RX4, R1, SAC, SAD2, SD, SDB1, SDB3, SDN, SDS, SDS2, SDS3, SD16, SD4, SE, SH, SHM, SHQ4, SHR4, SIH, SMB4, SMC7, SMC9, VSX1, VSX3, VS1, VS3, VS4, VTD, VTD1, VTE2, VTU1, VTX, VTX1, VVSH, VX, VXG, VXM, VXP, VXU, VXU1, VX26, VX4, V1, WIH1, WKT4, WMBO, WME4, W1
19	90121-952-000	BOLT, FLANGE, 6X25.....	1	-	-	-	-----	REX4, RXE4, VSW
	93500-05035-0A	SCREW, PAN, 5X35.....	1	-	-	-	-----	VED2, VED3, VMT, VSB1, VS3, VTE2, VTX, VTX1
20	93500-05040-0G	SCREW, PAN, 5X40.....	1	-	-	-	5048025	VSW, VS4
	95701-06008-00	BOLT, FLANGE, 6X8.....	2	(2)	-	-	2468252	HX, H1, LX, L1, PX, QNT, QX, Q1, RX, R1, SWX, SX, S1, TX, T1, UX, U1, VA, VEBM, VED1, VSD, VSD1, VSX, VX, V1, W1
21	95701-06010-00	BOLT, FLANGE, 6X10.....	1	-	-	-	3223676	VED2, VED3, VS3, VS4
	95701-06008-00	BOLT, FLANGE, 6X8.....	1	-	-	-	3223677	VED2, VED3, VS3, VS4
			1	-	-	-	-----	VMT, VSB1, VSW, VTE2, VTX, VTX1
22	32105-ZH8-V10	CABLE, DOUBLE CONNECTOR.....	1	-	-	-	5372719	SWG4, VSW
23	34150-ZH7-003	ALERT UNIT, OIL.....	1	(1)	-	-	5372719	HX, HX26, HX4, LX, LX26, LX4, L1, PX, QBT6, QMC8, QMD6, QMH, QNT, QNT4, QX, QXB1, QXC6, QX26, QX4, Q1, RX, RX4, SMC7, SMC9, SWG4, SX, SXB, SX4, S1, TX, TX26, TX4, UX, VEBM, VED1, VED2, VED3, VGE4, VHH4, VMB3, VMS4, VPM4, VPR4, VSB1, VSD, VSD1, VSW, VSX, VSX1, VS3, VS4, VTD, VTD1, VTX, VTX1, VX, VXG, VXM, VXU, VX26, VX4, W1
			1	-	1	-	-----	HXU, LXU, PXU, QWA4, QXU, RXU, SM14, SXS4, SXU, TXU, UXU, VIH1, VMT, VSX3, VTU1, VVSH, VXU1, WKT4
24	95701-06008-00	BOLT, FLANGE, 6X8.....	-	-	-	1	2000069	HX, HX26, HX4, LX, LX26, LX4, L1, PX, QBT6, QMC8, QMD6, QMH, QNT, QNT4, QX, QXB1, QXC6, QX26, QX4, Q1, RX, RX4, SMC7, SMC9, SX, SXB, SX4, S1, TX, TX4, UX, VEBM, VED1, VED2, VED3, VGE4, VHH4, VMB3, VMS4, VPM4, VPR4, VSB1, VSD, VSD1, VSX, VSX1, VS3, VS4, VTD, VTD1, VTX, VTX1, VX, VXG, VXM, VXU, VX26, VX4, W1
			1	(1)	-	-	5372719	-----
25	90630-751-000	CLIP, PURSE LOCK.....	-	-	-	1	2000069	HX, HX26, HX4, LX, LX26, LX4, L1, PX, QBT6, QMC8, QMD6, QMH, QNT, QNT4, QX, QXB1, QXC6, QX26, QX4, Q1, RX, RX4, SMC7, SMC9, SX, SXB, SX4, S1, TX, TX4, UX, VEBM, VED1, VED2, VED3, VGE4, VHH4, VMB3, VMS4, VPM4, VPR4, VSB1, VSD, VSD1, VSX, VSX1, VS3, VS4, VTD, VTD1, VTX, VTX1, VX, VXG, VXM, VXU, VX26, VX4, W1
			1	-	-	-	5372719	-----

**2**



ZHB3-E1400B



Service Item	F.R.T.
CHOKE KIT, REMOTE CONTROL.....	0.2
.SCREW SET, PILOT	
.CARBURETOR ASSY.	
.INSULATOR, CARBURETOR	
.PACKING, INSULATOR	
.PACKING, CARBURETOR	
.LEVER COMP., CHOKE	
.SPRING, RETURN	
.PACKING, FUEL COCK	
GASKET SET.....	0.3
.VALVE SET, FLOAT	
.FLOAT SET	
.JET, MAIN,	

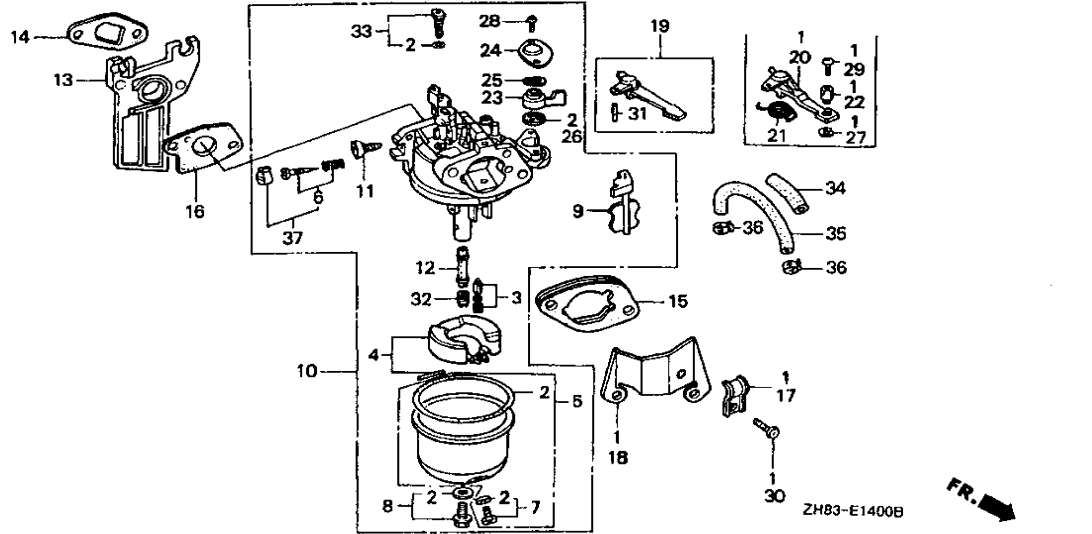
ZH3E1438

2

Ref. No.	Part No.	Description	Reqd. QTY				Serial No.	Type
			(1)	(2)	(3)	(4)		
1	06164-ZE1-000	CHOKE KIT, REMOTE CONTROL.....	-	(1)	-	-		
2	16010-ZE0-025	GASKET SET.....	1	(1)	-	-	H1,LD,LDB1,LDB3,LDM,LD4,LSJ4,LTA,LWZ,L1,PM,PMZ,QD,QE,QFE4 QM,QMC6,QNZ,Q1,RD,RD4,R1,SD,SDB1,SDB3,SDS,SD16,SD4,SE,SEE SWX,SWZ,S1,T1,U1,VEBM,V1,WMB0,WME4,W1	
3	16010-ZB1-015 16011-ZE0-005	VALVE SET, FLOAT.....	1	(1)	-	-	ARC6	
4	16013-ZE0-005	FLOAT SET.....	1	(1)	-	-	ARC6,H1,LD,LDB1,LDB3,LDM,LD4,LSJ4,LTA,LWZ,L1,PM,PMZ,QD,QE QFE4,QM,QMC6,QNZ,Q1,RD,RD4,R1,SD,SDB1,SDB3,SDS,SD16,SD4,SE SEE,SWX,SWZ,S1,T1,U1,VEBM,V1,WMB0,WME4,W1	
5	16015-ZE1-811 16015-ZE0-831	CHAMBER SET, FLOAT.....	1	(1)	-	-	ARC6,H1,L1,U1	
			1	(1)	-	-	BE06H B	
			1	(1)	-	-	BE06H C	
			1	-	-	-	LD,LDB1,LDB3,LD4,LTA,LWZ,PM,PMZ,QD,QE,QM,QMC6,QNZ,Q1,RD,RD4 R1,SD,SDB1,SDB3,SDS,SD16,SD4,SE,SEE,SWX,SWZ,S1,T1,VEBM,V1 WMB0,W1	
			1	-	-	-	LD,LDB1,LDB3,LD4,LTA,LWZ,PM,PMZ,QD,QE,QM,QMC6,QNZ,Q1,RD,RD4 R1,SD,SDB1,SDB3,SDS,SD16,SD4,SE,SEE,SWX,SWZ,S1,T1,VEBM,V1 WMB0,W1	
6	16016-ZE0-005	SCREW SET, PILOT.....	1	(1)	-	-	LDM,LSJ4,QFE4,WME4	
			1	-	-	-	ARC6,H1,LD,LDB1,LDB3,LDM,LD4,LSJ4,LTA,LWZ,L1,PM,PMZ,QD,QE QFE4,QM,QMC6,QNZ,Q1,RD,RD4,R1,SD,SDB1,SDB3,SDS,SD4,SE,SEE SWX,SWZ,S1,T1,U1,VEBM,V1,WMB0,WME4,W1	
7	16024-ZE1-811	SCREW SET, DRAIN.....	1	(1)	-	-	BE06H C	
			1	-	-	-	SD16	
			1	-	-	-	ARC6,H1,LD,LDB1,LDB3,LDM,LD4,LSJ4,LTA,LWZ,L1,PM,PMZ,QD,QE QFE4,QM,QMC6,QNZ,Q1,RD,RD4,R1,SD,SDB1,SDB3,SDS,SD16,SD4,SE SEE,SWX,SWZ,S1,T1,U1,VEBM,V1,WMB0,WME4,W1	

Ref. No.	Part No.	Description	Reqd. QTY				Serial No.	Type
			(1)	(2)	(3)	(4)		
8	16028-ZE0-005	SCREW SET.....	1	(1)	-	-	ARC6,H1,LD,LDB1,LDB3,LDM,LD4,LSJ4,LTA,LWZ,L1,PM,PMZ,QD,QE,QFE4,QM,QMC6,QNZ,Q1,RD,RD4,R1,SD,SDB1,SDB3,SDS,SD16,SD4,SE,SEE,SWX,SWZ,S1,T1,U1,VEBM,V1,WMB0,WME4,W1	
9	16044-ZE0-005	CHOKE SET.....	1	(1)	-	-	BE06H B H1,LD,LDB1,LDB3,LDM,LD4,LSJ4,LTA,LWZ,L1,PM,PMZ,QD,QE,QFE4,QM,QMC6,QNZ,Q1,RD,RD4,R1,SD,SDB1,SDB3,SDS,SD16,SD4,SE,SEE,SWX,SWZ,S1,T1,U1,VEBM,V1,WMB0,WME4,W1	
10	16044-ZK8-V00	.....	1	-	-	-	ARC6	
	16100-ZH8-810	CARBURETOR ASSY. (BE06H A)....	1	(1)	-	-	2895090 H1,LD,LTA,LWZ,L1,PM,PMZ,QD,QE,QM,Q1,RD,R1,SD,SDS,SE,SEE,SWX,SWZ,S1,T1,U1,VEBM,V1,W1	
	16100-ZK8-V01	CARBURETOR ASSY. (BE67A B)....	1	-	-	-	ARC6	
	16100-ZH8-811	CARBURETOR ASSY. (BE06H B)....	1	(1)	-	-	2895091 4012407 LD,LTA,LWZ,PM,PMZ,QD,QE,QM,Q1,RD,R1,SD,SDS,SE,SEE,SWX,SWZ,S1,T1,VEBM,V1,W1	
16100-ZH8-812	CARBURETOR ASSY. (BE06H C)....	.....	1	-	-	-	4012407 LDB1,LDB3,LD4,QMC6,QNZ,RD4,SDB1,SDB3,SD16,SD4,WMB0	
		.....	-	(1)	-	-	2895091 H1,L1,U1	
		.....	1	(1)	-	-	4012408 LD,LDB1,LDB3,LD4,LTA,LWZ,PM,PMZ,QD,QE,QM,QMC6,QNZ,Q1,RD,RD4,R1,SD,SDB1,SDB3,SDS,SD4,SE,SEE,SWX,SWZ,S1,T1,VEBM,V1,WMB0,W1	
16100-ZH8-W71	CARBURETOR ASSY. (BE66E B)....	.....	1	-	-	-	4012408 4927944 SD16	
		.....	1	-	-	-	4927945 SD16	
11	16124-ZE0-005	SCREW, THROTTLE STOP.....	1	(1)	-	-	ARC6,H1,LD,LDB1,LDB3,LDM,LD4,LSJ4,LTA,LWZ,L1,PM,PMZ,QD,QE,QFE4,QM,QMC6,QNZ,Q1,RD,RD4,R1,SD,SDB1,SDB3,SDS,SD16,SD4,SE,SEE,SWX,SWZ,S1,T1,U1,VEBM,V1,W1	
12	16166-ZH8-810	NOZZLE, MAIN.....	1	(1)	-	-	BE06H A H1,LD,LTA,LWZ,L1,PM,PMZ,QD,QE,QM,Q1,RD,R1,SD,SDS,SE,SEE,SWX,SWZ,S1,T1,U1,VEBM,V1,W1	
	16166-ZK8-V01	.....	1	-	-	-	ARC6	
	16166-ZH8-W50	.....	1	(1)	-	-	BE06H B H1,LD,LTA,LWZ,L1,PM,PMZ,QD,QE,QM,Q1,RD,R1,SD,SDS,SE,SEE,SWX,SWZ,S1,T1,U1,VEBM,V1,W1	
	.....	.....	1	-	-	-	LDB1,LDB3,LDM,LD4,LSJ4,QFE4,QMC6,QNZ,RD4,SDB1,SDB3,SD4,WMB0,WME4	
16166-ZH8-W60	.....	.....	1	-	-	-	BE06H C SD16	
		.....	1	-	-	-	BE66E B SD16	
13	16211-ZE1-000	INSULATOR, CARBURETOR.....	1	1	-	-	ARC6,H1,LD,LDB1,LDB3,LDM,LD4,LSJ4,LTA,LWZ,L1,PM,PMZ,QD,QE,QFE4,QM,QMC6,QNZ,Q1,RD,RD4,R1,SD,SDB1,SDB3,SDS,SD16,SD4,SE,SEE,SWX,SWZ,S1,T1,U1,VEBM,V1,WMB0,WME4,W1	
14	16212-ZH8-000	PACKING, INSULATOR.....	1	(1)	-	-	2630823 H1,LTA,LWZ,L1,PM,PMZ,QM,Q1,R1,SEE,SWX,SWZ,S1,T1,U1,VEBM,V1,W1	
	16212-ZH8-800	.....	1	-	-	-	ARC6,LD,LDB1,LDB3,LDM,LD4,LSJ4,QD,QE,QFE4,QMC6,QNZ,RD,RD4,SD,SDB1,SDB3,SDS,SD16,SD4,SE,WMB0,WME4	
15	16220-ZE1-020	SPACER COMP., CARBURETOR.....	1	1	-	-	2630824 H1,LTA,LWZ,L1,PM,PMZ,QM,Q1,R1,SEE,SWX,SWZ,S1,T1,U1,VEBM,V1,W1	
	.....	.....	1	(1)	-	-	ARC6,H1,LD,LDB1,LDB3,LDM,LD4,LSJ4,LTA,LWZ,L1,PM,PMZ,QD,QE,QFE4,QM,QMC6,QNZ,Q1,RD,RD4,R1,SD,SDB1,SDB3,SDS,SD16,SD4,SE,SEE,SWX,SWZ,S1,T1,U1,VEBM,V1,WMB0,WME4,W1	
16	16221-ZE1-000	PACKING, CARBURETOR.....	1	(1)	-	-	2630823 H1,LTA,LWZ,L1,PM,PMZ,QM,Q1,R1,SEE,SWX,SWZ,S1,T1,U1,VEBM,V1,W1	
	16221-ZH8-800	.....	1	-	-	-	3427128 LD,QD,QE,QNZ,RD,SD,SDB1,SDS,SE	
	.....	.....	1	-	-	-	3429382 LD4,RD4,SD4	
	.....	.....	1	(1)	-	-	2630824 3427128 LTA,LWZ,L1,PM,PMZ,QM,Q1,R1,SEE,SWX,SWZ,S1,T1,VEBM,V1,W1	
16221-ZH8-801	.....	.....	-	(1)	-	-	2630824 H1,U1	
		.....	1	-	-	-	ARC6,LDB1,LDB3,LDM,LSJ4,QFE4,QMC6,SDB3,SD16,WMB0,WME4	
		.....	1	(1)	-	-	3427129 LD,LTA,LWZ,L1,PM,PMZ,QD,QE,QM,QNZ,Q1,RD,SD,SDB1,SDS,SE,SEE,SWX,SWZ,S1,T1,VEBM,V1,W1	
.....	.....	.....	1	-	-	-	3429383 LD4,RD4,SD4	
		.....	-	1	-	-	3427129 R1	

2



Service Item F.R.T.

Ref. No.	Part No.	Description	Reqd. QTY				Serial No.	Type
			(1)	(2)	(3)	(4)		
17	16582-883-300	HOLDER, CONTROL CABLE.....	1	(1)	-	-	-----	H1,L1,QNZ,Q1,R1,S1,T1,U1,V1,W1
18	16598-ZE1-000	STAY, CHOKE CONTROL.....	1	(1)	-	-	-----	H1,L1,QNZ,Q1,R1,S1,T1,U1,V1,W1
19	16610-ZE1-000	LEVER COMP., CHOKE (STD.).....	1	(1)	-	-	-----	ARC6,H1,LD,LDB1,LDB3,LDM,LD4,LSJ4,LTA,LWZ,L1,PM,PMZ,QD,QE,QFE4,QM,QMC6,Q1,RD,RD4,R1,SD,SDB1,SDB3,SDS,SD16,SD4,SE,SEESWX,SWZ,S1,T1,U1,VEBM,V1,WMB0,WME4,W1
20	16610-ZE1-810	LEVER COMP., CHOKE (REMOTE)...	1	(1)	-	-	-----	H1,L1,QNZ,Q1,R1,S1,T1,U1,V1,W1
21	16615-ZE1-010	SPRING, RETURN.....	1	(1)	-	-	-----	H1,L1,QNZ,Q1,R1,S1,T1,U1,V1,W1
22	16617-890-010	HOLDER, CABLE.....	1	(1)	-	-	-----	H1,L1,QNZ,Q1,R1,S1,T1,U1,V1,W1
23	16953-ZE1-812	LEVER, COCK.....	1	(1)	-	-	-----	H1,LD,LDB1,LDB3,LDM,LD4,LSJ4,LTA,LWZ,L1,PM,PMZ,QD,QE,QFE4,QM,QMC6,QNZ,Q1,RD,RD4,R1,SD,SDB1,SDB3,SDS,SD16,SD4,SE,SEESWX,SWZ,S1,T1,U1,VEBM,V1,WMB0,WME4,W1
24	16954-ZE1-812	PLATE, LEVER SETTING.....	1	(1)	-	-	-----	H1,LD,LDB1,LDB3,LDM,LD4,LSJ4,LTA,LWZ,L1,PM,PMZ,QD,QE,QFE4,QM,QMC6,QNZ,Q1,RD,RD4,R1,SD,SDB1,SDB3,SDS,SD16,SD4,SE,SEESWX,SWZ,S1,T1,U1,VEBM,V1,WMB0,WME4,W1
25	16956-ZE1-811	SPRING, COCK LEVER.....	1	(1)	-	-	-----	H1,LD,LDB1,LDB3,LDM,LD4,LSJ4,LTA,LWZ,L1,PM,PMZ,QD,QE,QFE4,QM,QMC6,QNZ,Q1,RD,RD4,R1,SD,SDB1,SDB3,SDS,SD16,SD4,SE,SEESWX,SWZ,S1,T1,U1,VEBM,V1,WMB0,WME4,W1
26	16957-ZE1-812	PACKING, FUEL COCK.....	1	(1)	-	-	-----	H1,LD,LDB1,LDB3,LDM,LD4,LSJ4,LTA,LWZ,L1,PM,PMZ,QD,QE,QFE4,QM,QMC6,QNZ,Q1,RD,RD4,R1,SD,SDB1,SDB3,SDS,SD16,SD4,SE,SEESWX,SWZ,S1,T1,U1,VEBM,V1,WMB0,WME4,W1
27	90605-230-000	CIRCLIP, 5MM.....	1	(1)	-	-	-----	H1,L1,QNZ,Q1,R1,S1,T1,U1,V1,W1
28	93500-03008-1G	SCREW, PAN, 3X8.....	2	(2)	-	-	-----	BE06H B H1,LD,LDB1,LDB3,LD4,LTA,LWZ,L1,PM,PMZ,QD,QE,QM,QMC6,QNZ,Q1,RD,RD4,R1,SD,SDB1,SDB3,SDS,SD16,SD4,SE,SEE,SWX,SWZ,S1,T1,U1,VEBM,V1,WMB0,W1

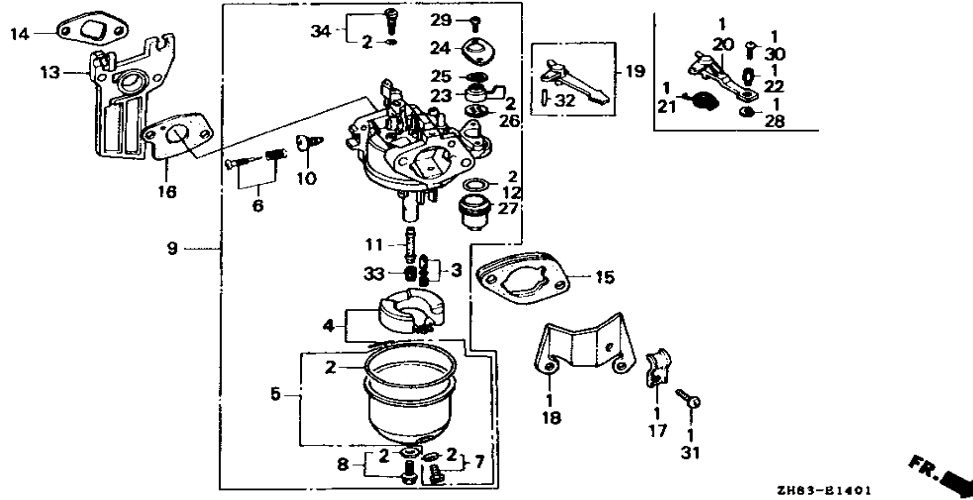
Ref. No.	Part No.	Description	Reqd. QTY				Serial No.	Type
			(1)	(2)	(3)	(4)		
28)	93500-03006-1H	SCREW, PAN, 3X6.....	2	(2)	-	-	BE06H C	LD,LDB1,LDB3,LD4,LTA,LWZ,PM,PMZ,QD,QE,QM,QMC6,QNZ,Q1,RD,RD4,R1,SD,SDB1,SDB3,SDS,SD16,SD4,SE,SEE,SWX,SWZ,S1,T1,VEBM,V1,WBMO,W1
			2	-	-	-		LDM,LSJ4,QFE4,WME4
29	93500-04008-0A	SCREW, PAN, 4X8.....	1	(1)	-	-		H1,L1,QNZ,Q1,R1,S1,T1,U1,V1,W1
30	93500-05008-0A	SCREW, PAN, 5X8.....	1	(1)	-	-		H1,L1,QNZ,Q1,R1,S1,T1,U1,V1,W1
31	94305-20122	PIN, SPRING, 2X12.....	1	(1)	-	-		ARC6,H1,LD,LDB1,LDB3,LDM,LD4,LSJ4,LTA,LWZ,L1,PM,PMZ,QD,QE,QFE4,QM,QMC6,Q1,RD,RD4,R1,SD,SDB1,SDB3,SDS,SD16,SD4,SE,SEE,SWX,SWZ,S1,T1,VEBM,V1,WBMO,WME4,W1
32	99101-ZF5-0680	JET, MAIN, #68.....	(1)	(1)	-	-	BE06H A	H1,LD,LTA,LWZ,L1,PM,PMZ,QD,QE,QM,Q1,RD,R1,SD,SDS,SE,SEE,SWX,SWZ,S1,T1,U1,VEBM,V1,W1
	99101-ZF5-0700	JET, MAIN, #70.....	(1)	(1)	-	-	BE06H A	H1,LD,LTA,LWZ,L1,PM,PMZ,QD,QE,QN,Q1,RD,R1,SD,SDS,SE,SEE,SWX,SWZ,S1,T1,U1,VEBM,V1,W1
	99101-ZF5-0720	JET, MAIN, #72.....	1	1	-	-	BE06H A	H1,LD,LTA,LWZ,L1,PM,PMZ,QD,QE,QM,Q1,RD,R1,SD,SDS,SE,SEE,SWX,SWZ,S1,T1,U1,VEBM,V1,W1
	99101-ZH7-0650	JET, MAIN, #65.....	(1)	(1)	-	-	BE06H B	H1,LD,LTA,LWZ,L1,PM,PMZ,QD,QE,QN,RD,SD,SDS,SE,SEE,SWX,SWZ,U1,VEBM
			(1)	(1)	-	-	BE06H B	BE06H B LDB1,LDB3,LD4,QMC6,QNZ,Q1,RD4,R1,SDB1,SDB3,SD16,SD4,S1,T1,V1,WBMO,W1
	99101-ZH7-0680	JET, MAIN, #68.....	(1)	(1)	-	-	BE06H B	H1,LD,LTA,LWZ,L1,PM,PMZ,QD,QE,QN,RD,SD,SDS,SE,SEE,SWX,SWZ,U1,VEBM
			(1)	(1)	-	-	BE06H B	BE06H B LDB1,LDB3,LD4,QMC6,QNZ,Q1,RD4,R1,SDB1,SDB3,SD16,SD4,S1,T1,V1,WBMO,W1
	99101-ZH7-0700	JET, MAIN, #70.....	1	1	-	-	BE06H B	H1,LD,LTA,LWZ,L1,PM,PMZ,QD,QE,QN,RD,SD,SDS,SE,SEE,SWX,SWZ,U1,VEBM
			1	1	-	-	BE06H B	BE06H B LDB1,LDB3,LD4,QMC6,QNZ,Q1,RD4,R1,SDB1,SDB3,SD16,SD4,S1,T1,V1,WBMO,W1
	99101-ZH8-0620	JET, MAIN, #62.....	(1)	-	-	-		ARC6
	99101-ZH8-0650	JET, MAIN, #65.....	(1)	-	-	-		ARC6,LDM,LSJ4,QFE4,WME4
			(1)	(1)	-	-	BE06H C	LD,LDB1,LDB3,LD4,LTA,LWZ,PM,PMZ,QD,QE,QM,QMC6,QNZ,Q1,RD,RD4,R1,SD,SDB1,SDB3,SDS,SD16,SD4,SE,SEE,SWX,SWZ,S1,T1,VEBM,V1,WBMO,W1
	99101-ZH8-0680	JET, MAIN, #68.....	1	-	-	-		ARC6
			(1)	(1)	-	-	BE06H C	LD,LDB1,LDB3,LD4,LTA,LWZ,PM,PMZ,QD,QE,QM,QMC6,QNZ,Q1,RD,RD4,R1,SD,SDB1,SDB3,SDS,SD16,SD4,SE,SEE,SWX,SWZ,S1,T1,VEBM,V1,WBMO,W1
			(1)	-	-	-		LDM,LSJ4,QFE4,WME4
	99101-ZH8-0700	JET, MAIN, #70.....	1	1	-	-	BE06H C	LD,LDB1,LDB3,LD4,LTA,LWZ,PM,PMZ,QD,QE,QM,QMC6,QNZ,Q1,RD,RD4,R1,SD,SDB1,SDB3,SDS,SD16,SD4,SE,SEE,SWX,SWZ,S1,T1,VEBM,V1,WBMO,W1
33	99204-ZE0-0380	JET SET, PILOT, #38.....	1	(1)	-	-	BE06H A	LDM,LSJ4,QFE4,WME4
	99204-ZE2-0380	.....	1	-	-	-		ARC6
	99204-ZE0-0350	JET SET, PILOT, #35.....	1	(1)	-	-	BE06H B	H1,LD,LTA,LWZ,L1,PM,PMZ,QD,QE,QM,Q1,RD,R1,SD,SDS,SE,SEE,SWX,SWZ,S1,T1,U1,VEBM,V1,W1
			1	-	-	-		LDB1,LDB3,LDM,LD4,LSJ4,QFE4,QMC6,QNZ,RD4,SDB1,SDB3,SD16,SD4,WBMO,WME4
34	16854-ZH8-000	RUBBER, SUPPORTER (107MM).....	1	-	-	-		ARC6
35	95001-45400-60	TUBE, FUEL, 4.5X400 (95001-45001-60M)	1	-	-	-		ARC6
36	95002-40800-08	CLAMP, TUBE (D8).....	2	-	-	-		ARC6
37	16016-ZH7-W01	SCREW SET.....	1	-	-	-	BE66E B	SD16

2

G 7

Carburetor (2)

E-14-1



Service Item	F.R.T.
CHOKE KIT, REMOTE CONTROL.....	0.2
.SCREW SET	
.CARBURETOR ASSY.	
.INSULATOR, CARBURETOR	
.PACKING, INSULATOR	
.PACKING, CARBURETOR	
.LEVER COMP., CHOKE	
.SPRING, RETURN	
.PACKING, FUEL COCK	
GASKET SET.....	0.3
.VALVE SET, FLOAT	
.FLOAT SET	
.JET, MAIN,	

ZH83-B1401



ZH11111

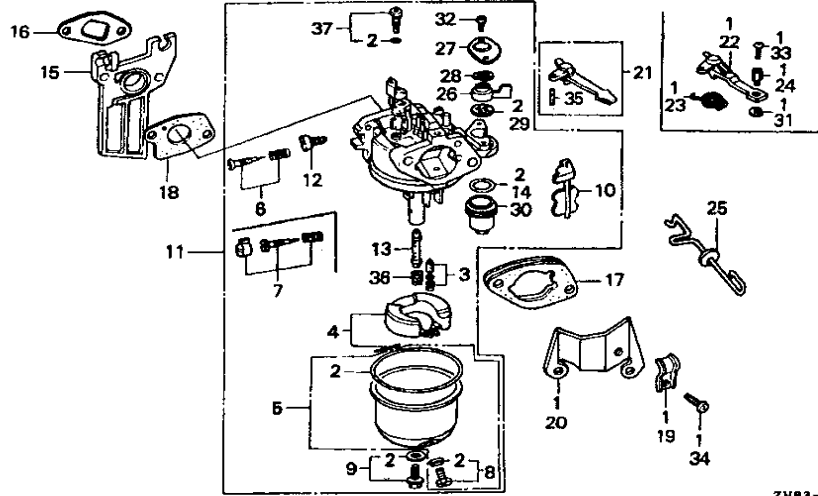
2

Ref. No.	Part No.	Description	Reqd. QTY				Serial No.	Type
			GX160K1	(1)	(2)	(3)		
1	06164-ZE1-000	CHOKE KIT, REMOTE CONTROL.....	-	(1)	-	-	-	
2	16010-ZE1-812	GASKET SET.....	1	(1)	-	-	-----	H1,LSS4,L1,QNT4,Q1,R1,S1,T1,U1,V1,W1
3	16011-ZE0-005	VALVE SET, FLOAT.....	1	(1)	-	-	-----	H1,LSS4,L1,QNT4,Q1,R1,S1,T1,U1,V1,W1
4	16013-ZE0-005	FLOAT SET.....	1	(1)	-	-	-----	H1,LSS4,L1,QNT4,Q1,R1,S1,T1,U1,V1,W1
5	16015-ZE1-811	CHAMBER SET, FLOAT.....	-	(1)	-	-	-----	H1,U1
	16015-ZE0-831	.....	1	-	-	-	-----	BE11C A L1,Q1,R1,S1,T1,V1,W1
			-	(1)	-	-	-----	LSS4,QNT4
			-	(1)	-	-	-----	BE11C B ----- L1,Q1,R1,S1,T1,V1,W1
6	16016-ZE0-005	SCREW SET, PILOT.....	1	(1)	-	-	-----	H1,LSS4,L1,QNT4,Q1,R1,S1,T1,U1,V1,W1
7	16024-ZE1-811	SCREW SET, DRAIN.....	1	(1)	-	-	-----	H1,LSS4,L1,QNT4,Q1,R1,S1,T1,U1,V1,W1
8	16028-ZE0-005	SCREW SET.....	1	(1)	-	-	-----	H1,LSS4,L1,QNT4,Q1,R1,S1,T1,U1,V1,W1
9	16100-ZH8-800	CARBURETOR ASSY. (BE11C A)....	-	(1)	-	-	-----	H1,U1
	16100-ZH8-801	CARBURETOR ASSY. (BE11C B)....	1	-	-	-	-----	4047733 L1,Q1,R1,S1,T1,V1,W1
			-	(1)	-	-	-----	LSS4,QNT4
			-	(1)	-	-	-----	4047734 ----- L1,Q1,R1,S1,T1,V1,W1
10	16124-ZE0-005	SCREW, THROTTLE STOP.....	1	(1)	-	-	-----	H1,LSS4,L1,QNT4,Q1,R1,S1,T1,U1,V1,W1
11	16166-ZH8-800	NOZZLE, MAIN.....	1	(1)	-	-	-----	H1,LSS4,L1,QNT4,Q1,R1,S1,T1,U1,V1,W1
12	16173-001-004	PACKING, FUEL STRAINER CUP....	1	(1)	-	-	-----	H1,LSS4,L1,QNT4,Q1,R1,S1,T1,U1,V1,W1
13	16211-ZE1-000	INSULATOR, CARBURETOR.....	1	1	-	-	-----	H1,LSS4,L1,QNT4,Q1,R1,S1,T1,U1,V1,W1
14	16212-ZH8-000	PACKING, INSULATOR.....	-	(1)	-	-	-----	
	16212-ZH8-800	.....	1	(1)	-	-	-----	H1,LSS4,L1,QNT4,Q1,R1,S1,T1,U1,V1,W1
15	16220-ZE1-020	SPACER COMP., CARBURETOR.....	1	1	-	-	-----	H1,LSS4,L1,QNT4,Q1,R1,S1,T1,U1,V1,W1
16	16221-ZH8-801	PACKING, CARBURETOR.....	1	-	-	-	-----	LSS4,QNT4
	16221-ZE1-000	.....	-	(1)	-	-	-----	2630823
	16221-ZH8-800	.....	-	(1)	-	-	-----	2630824
17	16582-883-300	HOLDER, CONTROL CABLE.....	-	(1)	-	-	-----	



Ref. No.	Part No.	Description	Reqd. QTY				Serial No.	Type
			GX160K1					
			(1)	(2)	(3)	(4)		
18	16598-ZE1-000	STAY, CHOKE CONTROL.....	-	(1)	-	-		
19	16610-ZE1-000	LEVER COMP., CHOKE (STD.).....	1	(1)	-	-	H1,LSS4,L1,QNT4,Q1,R1,S1,T1,U1,V1,W1	
20	16610-ZE1-810	LEVER COMP., CHOKE (REMOTE)...	-	(1)	-	-		
21	16615-ZE1-010	SPRING, RETURN.....	-	(1)	-	-		
22	16617-890-010	HOLDER, CABLE.....	-	(1)	-	-		
23	16953-ZE1-812	LEVER, COCK.....	1	(1)	-	-	H1,LSS4,L1,QNT4,Q1,R1,S1,T1,U1,V1,W1	
24	16954-ZE1-811	PLATE, LEVER SETTING.....	-	(1)	-	-	H1,U1	
	16954-ZE1-812	.....	1	(1)	-	-	LSS4,L1,QNT4,Q1,R1,S1,T1,V1,W1	
25	16956-ZE1-811	SPRING, COCK LEVER.....	1	(1)	-	-	H1,LSS4,L1,QNT4,Q1,R1,S1,T1,U1,V1,W1	
26	16957-ZE1-812	PACKING, FUEL COCK.....	1	(1)	-	-	H1,LSS4,L1,QNT4,Q1,R1,S1,T1,U1,V1,W1	
27	16967-ZE0-811	CUP, FUEL STRAINER.....	1	(1)	-	-	H1,LSS4,L1,QNT4,Q1,R1,S1,T1,U1,V1,W1	
28	90605-230-000	CIRCLIP, 5MM.....	-	(1)	-	-		
29	93500-03008-1G	SCREW, PAN, 3X8.....	-	(2)	-	-	H1,U1	
	93500-03006-1H	SCREW, PAN, 3X6.....	2	-	-	-	BE11C A L1,Q1,R1,S1,T1,V1,W1	
			-	(2)	-	-	LSS4,QNT4	
			-	(2)	-	-	BE11C B L1,Q1,R1,S1,T1,V1,W1	
30	93500-04008-0A	SCREW, PAN, 4X8.....	-	(1)	-	-		
31	93500-05008-0A	SCREW, PAN, 5X8.....	-	(1)	-	-		
32	94305-20122	PIN, SPRING, 2X12.....	1	(1)	-	-	H1,LSS4,L1,QNT4,Q1,R1,S1,T1,U1,V1,W1	
33	99101-ZF5-0620	JET, MAIN, #62.....	-	(1)	-	-	H1,U1	
	99101-ZF5-0650	JET, MAIN, #65.....	-	(1)	-	-	BE11C A L1,Q1,R1,S1,T1,V1,W1	
			-	(1)	-	-	H1,U1	
	99101-ZF5-0680	JET, MAIN, #68.....	-	1	-	-	BE11C A L1,Q1,R1,S1,T1,V1,W1	
			-	1	-	-	H1,U1	
	99101-ZH8-0620	JET, MAIN, #62.....	(1)	-	-	-	BE11C A L1,Q1,R1,S1,T1,V1,W1	
			-	(1)	-	-	LSS4,QNT4	
	99101-ZH8-0650	JET, MAIN, #65.....	(1)	-	-	-	BE11C B L1,Q1,R1,S1,T1,V1,W1	
			-	(1)	-	-	LSS4,QNT4	
	99101-ZH8-0680	JET, MAIN, #68.....	1	-	-	-	BE11C B L1,Q1,R1,S1,T1,V1,W1	
			-	1	-	-	LSS4,QNT4	
34	99204-ZE0-0380	JET SET, PILOT, #38.....	1	(1)	-	-	BE11C B L1,Q1,R1,S1,T1,V1,W1	
			-	1	-	-	H1,LSS4,L1,QNT4,Q1,R1,S1,T1,U1,V1,W1	

**2**



ZH83-E1402A

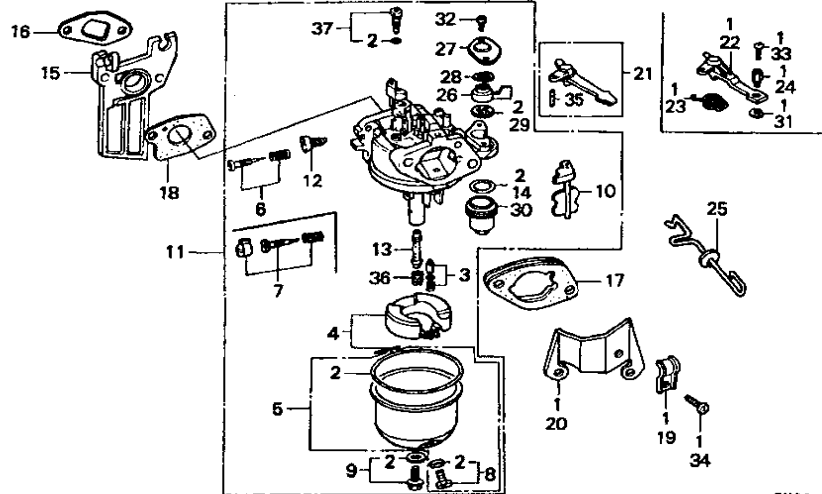
Service Item	F.R.T.
CHOKE KIT, REMOTE CONTROL.....	0.2
.SCREW SET	
.CARBURETOR ASSY.	
.INSULATOR, CARBURETOR	
.PACKING, INSULATOR	
.PACKING, CARBURETOR	
.LEVER COMP., CHOKE	
.SPRING, RETURN	
.ROD COMP., THROTTLE	
.PACKING, FUEL COCK	
GASKET SET.....	0.3
.VALVE SET, FLOAT	
.FLOAT SET	
.JET, MAIN,	

ZHJELI02A

Ref. No.	Part No.	Description	Reqd. QTY				Serial No.	Type
			(1)	(2)	(3)	(4)		
1	06164-ZE1-000	CHOKE KIT, REMOTE CONTROL.....	1	(1)	-	-	H1,L1,QXW,QXW2,Q1,R1,S1,T1,U1,V1,W1	
2	16010-ZE1-812	GASKET SET.....	1	(1)	1	-	BIH,EN,ET,ETX,HH,HHQ4,HH26,HX,HXE,HXE8,HXU,HX26,HX4,H1,KTA LAX,LH,LHB3,LHQ4,LHW,LVSH,LX,LXU,LX26,LX4,L1,NW,PH,PHM,PX PXU,QA,QAB1,QAB3,QA26,QBT6,QBU2,QH,QHE,QHP1,QHQ4,QH26,QIH1 QKA4,QMC8,QMD6,QME4,QMH,QNT,QNT2,QP,QPU,QT,QVSH,QWA4,QX,QXB QXB1,QXC6,QXE,QXE4,QXE6,QXE8,QXU,QXW,QXW2,QX26,QX4,QZ,Q1 RAC,REX4,RH,RHQ4,RH26,RMB4,RSK,RX,RXE,RXE4,RXU,RX4,R1,SAC SAD2,SDN,SDS2,SDS3,SH,SHM,SHQ4,SHR4,SIH,SMB4,SMC7,SMC9,SM14 STA,SWG4,SX,SXB,SXE,SXE4,SXS4,SXU,SX4,S1,TH,TX,TXU,TX26,TX4 T1,UH,UIH,UX,UXU,U1,VA,VED,VED1,VGE4,VH,VHH4,VHQ4,VIH,VIH1 VMB3,VMS4,VS,VSD,VSX,VSX1,VSX3,VS1,VTD,VTD1,VTU1,VVSH,VX VXE,VXE4,VXE6,VXG,VXM,VXU,VXU1,VX26,VX4,V1,WIH1,WKT4,W1 PHU,THU	
	16010-ZE0-025	.....	1	-	-	-		
3	16011-ZE0-005	VALVE SET, FLOAT.....	1	(1)	1	-	BIH,EN,ET,ETX,HH,HHQ4,HH26,HX,HXE,HXE8,HXU,HX26,HX4,H1,KTA LAX,LH,LHB3,LHQ4,LHW,LVSH,LX,LXU,LX26,LX4,L1,NW,PH,PHM,PHU PX,PXU,QA,QAB1,QAB3,QA26,QBT6,QBU2,QH,QHE,QHP1,QHQ4,QH26 QIH1,QKA4,QMC8,QMD6,QME4,QMH,QNT,QNT2,QP,QPU,QT,QVSH,QWA4 QX,QXB,QXB1,QXC6,QXE,QXE4,QXE6,QXE8,QXU,QXW,QXW2,QX26,QX4 QZ,Q1,RAC,REX4,RH,RHQ4,RH26,RMB4,RSK,RX,RXE,RXE4,RXU,RX4,R1 SAC,SAD2,SDN,SDS2,SDS3,SH,SHM,SHQ4,SHR4,SIH,SMB4,SMC7,SMC9 SM14,STA,SWG4,SX,SXB,SXE,SXE4,SXS4,SXU,SX4,S1,TH,THU,TX,TXU TX26,TX4,T1,UH,UIH,UX,UXU,U1,VA,VED,VED1,VGE4,VH,VHH4,VHQ4 VIH,VIH1,VMB3,VMS4,VS,VSD,VSX,VSX1,VSX3,VS1,VTD,VTD1,VTU1 VVSH,VX,VXE,VXE4,VXE6,VXG,VXM,VXU,VXU1,VX26,VX4,V1,WIH1 WKT4,W1	

Ref. No.	Part No.	Description	Reqd. QTY				Serial No.	Type
			(1)	(2)	(3)	(4)		
4	16013-ZE0-005	FLOAT SET.....	1	(1)	1		BIH, EN, ET, ETX, HH, HHQ4, HH26, HX, HXE, HXE8, HXU, HX26, HX4, H1, KTA, LAX, LH, LHB3, LHQ4, LHW, LVSH, LX, LXU, LX26, LX4, L1, NW, PH, PHM, PHU, PX, PXU, QA, QAB1, QAB3, QA26, QBT6, QBU2, QH, QHE, QHP1, QHQ4, QH26, QIH1, QKA4, QMC8, QMD6, QME4, QMH, QNT, QNT2, QP, QPU, QT, QVSH, QWA4, QX, QXB, QXB1, QXC6, QXE, QXE4, QXE6, QXE8, QXU, QXW, QX26, QX26, QX4, QZ, Q1, RAC, REX4, RH, RHQ4, RH26, RMB4, RSK, RX, RXE, RXE4, RXU, RX4, R1, SAC, SAD2, SDN, SDS2, SDS3, SH, SHM, SHQ4, SHR4, SIH, SMB4, SMC7, SMC9, SM14, STA, SWG4, SX, SXB, SXE, SXE4, SXS4, SXU, SX4, S1, TH, THU, TX, TXU, TX26, TX4, T1, UH, UIH, UX, UXU, U1, VA, VED, VED1, VGE4, VH, VHH4, VHQ4, VIH, VIH1, VMB3, VMS4, VS, VSD, VSX, VSX1, VSX3, VS1, VTD, VTD1, VTU1, VVSH, VX, VXE, VXE4, VXE6, VXG, VXM, VXU, VXU1, VX26, VX4, V1, WIH1, WKT4, W1	
5	16015-ZE1-811	CHAMBER SET, FLOAT.....	1	(1)	-	-	BE06J B	EN, ET, ETX, HH, HHQ4, HX, HXE, HX4, KTA, LAX, LH, LHB3, LHQ4, LX, LX4, PH, PX, QA, QAB1, QAB3, QH, QHE, QHQ4, QKA4, QMC8, QMD6, QME4, QNT, QP, QPU, QT, QX, QXB, QXB1, QXE, QXE4, QXW, QX4, Q1, RAC, RH, RHQ4, RMB4, RSK, RX, RXE, RXE4, RX4, R1, SAC, SDS2, SDS3, SH, SHQ4, SMB4, SMC7, SMC9, STA, SWG4, SX, SXB, SXE, SXE4, SX4, S1, TH, TX, TX4, T1, UH, UX, VA, VED, VED1, VGE4, VH, VHH4, VHQ4, VMB3, VMS4, VS, VSD, VSX, VSX1, VS1, VX, VXE, VXE4, VXG, VXU, VX4, V1, W1
			1	-	-	-	BE65B A	HH26, HX26, LX26, QBT6, QBU2, QH26, QNT2, QXE6, QXW2, QX26, RH26, SAD2, TX26, VX26
			1	-	-	-	BE06U A	PHU, THU
			1	-	-	-	BE65C A	QA26
			1	-	-	-	BE65G A	QXC6
			1	-	-	-	BE06S A	QZ
16015-ZE0-831	.....	.....	1	(1)	-	-	BE06J C	BIH, H1, L1, SIH, UIH, U1 EN, ET, ETX, HH, HHQ4, HX, HXE, HX4, KTA, LAX, LH, LHB3, LHQ4, LX, LX4, PH, PX, QA, QAB1, QAB3, QH, QHE, QHQ4, QKA4, QMC8, QMD6, QME4, QNT, QP, QPU, QT, QX, QXB, QXB1, QXE, QXE4, QXW, QX4, Q1, RAC, RH, RHQ4, RMB4, RSK, RX, RXE, RXE4, RX4, R1, SAC, SDS2, SDS3, SH, SHQ4, SMB4, SMC7, SMC9, STA, SWG4, SX, SXB, SXE, SXE4, SX4, S1, TH, TX, TX4, T1, UH, UX, VA, VED, VED1, VGE4, VH, VHH4, VHQ4, VMB3, VMS4, VS, VSD, VSX, VSX1, VS1, VX, VXE, VXE4, VXG, VXU, VX4, V1, W1
			1	-	-	-	BE65B B	HH26, HX26, LX26, QBT6, QBU2, QH26, QNT2, QXE6, QXW2, QX26, RH26, SAD2, TX26, VX26
			1	-	1	-		HXE8, HXU, LHW, LVSH, LXU, NW, PHM, PXU, QHP1, QIH1, QMH, QVSH, QWA4, QXE8, QXU, REX4, RXU, SDN, SHM, SHR4, SM14, SXS4, SXU, TXU, UXU, VIH, VIH1, VSX3, VTD, VTD1, VTU1, VVSH, VXE6, VXM, VXU1, WIH1, WKT4
			1	-	-	-	BE06U B	PHU, THU
			1	-	-	-	BE65C B	QA26
			1	-	-	-	BE65G B	QXC6
6	16016-ZE0-005	SCREW SET, PILOT.....	1	(1)	1		BE06S B	QZ
			1	(1)	1			BIH, EN, ET, ETX, HH, HHQ4, HX, HXE, HXE8, HX4, H1, KTA, LAX, LH, LHB3, LHQ4, LHW, LVSH, LX, LXU, LX4, L1, NW, PH, PHM, PHU, PX, PXU, QA, QAB1, QAB3, QH, QHE, QHP1, QHQ4, QIH1, QKA4, QMC8, QMD6, QME4, QMH, QNT, QP, QPU, QT, QVSH, QX, QXB, QXB1, QXE, QXE4, QXE8, QXU, QXW, QX4, QZ, Q1, RAC, REX4, RH, RHQ4, RMB4, RSK, RX, RXE, RXE4, RXU, RX4, R1, SAC, SDN, SDS2, SDS3, SH, SHM, SHQ4, SHR4, SIH, SMB4, SMC7, SMC9, SM14, STA, SWG4, SX, SXB, SXE, SXE4, SXU, SX4, S1, TH, THU, TX, TXU, TX4, T1, UH, UIH, UX, UXU, U1, VA, VED, VED1, VGE4, VH, VHH4, VHQ4, VIH, VIH1, VMB3, VMS4, VS, VSD, VSX, VSX1, VSX3, VS1, VTD, VTD1, VTU1, VVSH, VX, VXE, VXE4, VXG, VXM, VXU, VXU1, VX4, V1, WIH1, W1
			1	-	-	-		HH26, HX26, LX26, QA26, QBT6, QBU2, QH26, QNT2, QWA4, QXE6, QXW2, QX26, RH26, SAD2, SXS4, TX26, VXE6, VX26, WKT4
			1	-	-	-		QXC6
			1	-	-	-		
7	16016-ZH7-W01	SCREW SET.....	1	-	-		HH26, HX26, LX26, QA26, QBT6, QBU2, QH26, QNT2, QWA4, QXE6, QXW2, QX26, RH26, SAD2, SXS4, TX26, VXE6, VX26, WKT4	
	16016-ZH8-W01	.....	1	-	-		QXC6	





ZH83-E1402A



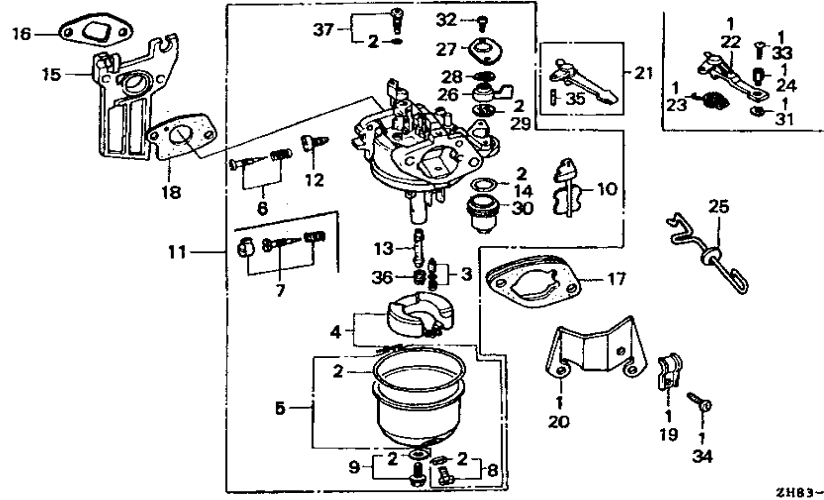
ZH111021

Service Item F.R.T.

Ref. No.	Part No.	Description	Reqd. QTY	Serial No.	Type
8	16024-ZE1-811	SCREW SET, DRAIN.....	1 (1) 1 -		BIH, EN, ET, ETX, HH, HHQ4, HH26, HX, HXE, HXE8, HXU, HX26, HX4, H1, KTA LAX, LH, LHB3, LHQ4, LHW, LVSH, LX, LXU, LX26, LX4, L1, NW, PH, PHM, PHU PX, PXU, QA, QAB1, QAB3, QA26, QBT6, QBU2, QH, QHE, QHP1, QHQ4, QH26 QIH1, QKA4, QMC8, QMD6, QME4, QMH, QNT, QNT2, QP, QPU, QT, QVSH, QWA4 QX, QXB, QXB1, QXC6, QXE, QXE4, QXE6, QXE8, QXU, QXW, QXW2, QX26, QX4 QZ, Q1, RAC, REX4, RH, RHQ4, RH26, RMB4, RSK, RX, RXE, RXE4, RXU, RX4, R1 SAC, SAD2, SDN, SDS2, SDS3, SH, SHM, SHQ4, SHR4, SIH, SMB4, SMC7, SMC9 SM14, STA, SWG4, SX, SXB, SXE, SXE4, SXS4, SXU, SX4, S1, TH, THU, TX, TXU TX26, TX4, T1, UH, UIH, UX, UXU, U1, VA, VED, VED1, VGE4, VH, VHH4, VHQ4 VIH, VIH1, VMB3, VMS4, VS, VSD, VSX, VSX1, VSX3, VS1, VTD, VTD1, VTU1 VVSH, VX, VXE, VXE4, VXE6, VXG, VXM, VXU, VXU1, VX26, VX4, V1, WIH1 WKT4, W1
9	16028-ZE0-005	SCREW SET.....	1 (1) 1 -		BIH, EN, ET, ETX, HH, HHQ4, HH26, HX, HXE, HXE8, HXU, HX26, HX4, H1, KTA LAX, LH, LHB3, LHQ4, LHW, LVSH, LX, LXU, LX26, LX4, L1, NW, PH, PHM, PHU PX, PXU, QA, QAB1, QAB3, QA26, QBT6, QBU2, QH, QHE, QHP1, QHQ4, QH26 QIH1, QKA4, QMC8, QMD6, QME4, QMH, QNT, QNT2, QP, QPU, QT, QVSH, QWA4 QX, QXB, QXB1, QXC6, QXE, QXE4, QXE6, QXE8, QXU, QXW, QXW2, QX26, QX4 QZ, Q1, RAC, REX4, RH, RHQ4, RH26, RMB4, RSK, RX, RXE, RXE4, RXU, RX4, R1 SAC, SAD2, SDN, SDS2, SDS3, SH, SHM, SHQ4, SHR4, SIH, SMB4, SMC7, SMC9 SM14, STA, SWG4, SX, SXB, SXE, SXE4, SXS4, SXU, SX4, S1, TH, THU, TX, TXU TX26, TX4, T1, UH, UIH, UX, UXU, U1, VA, VED, VED1, VGE4, VH, VHH4, VHQ4 VIH, VIH1, VMB3, VMS4, VS, VSD, VSX, VSX1, VSX3, VS1, VTD, VTD1, VTU1 VVSH, VX, VXE, VXE4, VXE6, VXG, VXM, VXU, VXU1, VX26, VX4, V1, WIH1 WKT4, W1

Ref. No.	Part No.	Description	Reqd. QTY				Serial No.	Type
			(1)	(2)	(3)	(4)		
10	16044-ZE0-005	CHOKE SET.....	1	-	1	-	-----	BIH,HHQ4,HH26,HXE,HXE8,HXU,HX26,HX4,LHB3,LHQ4,LHW,LVSH,LXU LX26,LX4,NW,PHM,PHU,PXU,QAB1,QAB3,QA26,QBT6,QBU2,QHP1,QHQ4 QH26,QIH1,QKA4,QMC8,QMD6,QME4,QMH,QNT2,QP,QPU,QVSH,QWA4 QXB1,QXC6,QXE4,QXE6,QXE8,QXU,QXW2,QX26,QX4,REX4,RHQ4,RH26 RMB4,RXE4,RXU,RX4,SAD2,SDN,SDS2,SDS3,SHM,SHQ4,SHR4,SIH,SMB4 SMC7,SMC9,SM14,SWG4,SXE4,SXS4,SXU,SX4,THU,TXU,TX26,TX4,UIH UXU,VGE4,VHH4,VHQ4,VIH,VIH1,VMB3,VMS4,VSX3,VTD,VTD1,VTU1 VVSH,VXE4,VXE6,VXG,VXM,VXU,VXU1,VX26,VX4,WIH1,WKT4
			1	(1)	-	-	-----	BE06J B ----- EN,ET,ETX,HH,HX,H1,KTA,LAX,LH,LX,L1,PH,PX,QA,QH,QHE,QNT,QT QX,QXB,QXE,QXW,Q1,RAC,RH,RSK,RX,RXE,R1,SAC,SH,STA,SX,SB SXE,S1,TH,TX,T1,UH,UX,U1,VA,VED,VED1,VH,VS,VSD,VSX,VSX1,VS1 VX,VXE,V1,W1
	16044-ZF1-901	.....	1	-	-	-	-----	QZ
11	16100-ZH8-T50	CARBURETOR ASSY. (BE06U A)....	1	-	-	-	-----	4007365 PHU,THU
	16100-ZH8-V20	CARBURETOR ASSY. (BE65G A)....	1	-	-	-	-----	4012990 QXC6
	16100-ZH8-W50	CARBURETOR ASSY. (BE65B A)....	1	-	-	-	-----	4011427 HH26,HX26,LX26,QBT6,QBU2,QH26,QNT2,QXE6,QXW2,QX26,RH26,SAD2 TX26,VX26
	16100-ZH8-W60	CARBURETOR ASSY. (BE65C A)....	1	-	-	-	-----	4017073 QA26
	16100-ZH8-820	CARBURETOR ASSY. (BE06J A)....	1	(1)	-	-	-----	2895090 EN,ET,ETX,HH,HX,H1,KTA,LAX,LH,LX,L1,PH,PX,QA,QH,QHE,QNT,QT QX,QXB,QXE,QXW,Q1,RAC,RH,RSK,RX,RXE,R1,SAC,SH,STA,SX,SB SXE,S1,TH,TX,T1,UH,UX,U1,VA,VED,VED1,VH,VS,VSD,VSX,VSX1,VS1 VX,VXE,V1,W1
	16100-ZH8-900	CARBURETOR ASSY. (BE06S A)....	1	-	-	-	-----	4383862 QZ
	16100-ZH8-T51	CARBURETOR ASSY. (BE06U B)....	1	-	-	-	-----	4007366 PHU,THU
	16100-ZH8-V21	CARBURETOR ASSY. (BE65G B)....	1	-	-	-	-----	4012991 QXC6
	16100-ZH8-821	CARBURETOR ASSY. (BE06J B)....	1	(1)	-	-	-----	2895091 4012551 EN,ET,ETX,HH,HX,H1,KTA,LAX,LH,LX,L1,PH,PX,QA,QH,QHE,QNT,QT,QX,QXB QXE,QXW,Q1,RAC,RH,RSK,RX,RXE,R1,SAC,SH,STA,SX,SB,SXE,S1,TH TX,T1,UH,UX,VA,VED,VED1,VH,VS,VSD,VSX,VSX1,VS1,VX,VXE,V1,W1
			1	-	-	-	-----	4012551 HHQ4,HXE,HX4,LHB3,LHQ4,LX4,QAB1,QAB3,QHQ4,QKA4,QMC8,QMD6 QME4,QP,QPU,QXB1,QXE4,QX4,RHQ4,RMB4,RXE4,RX4,SDS2,SDS3,SHQ4 SMB4,SMC7,SMC9,SWG4,SXE4,SX4,TX4,VGE4,VHH4,VHQ4,VMB3,VMS4 VXE4,VXG,VXU,VX4
			-	(1)	-	-	-----	2895091 ----- H1,L1,U1
			-	-	1	-	-----	----- BIH,SIH,UIH
	16100-ZH8-822	CARBURETOR ASSY. (BE06J C)....	1	-	1	-	-----	BIH,HXE8,HXU,LHW,LVSH,LXU,NW,PHM,PXU,QHP1,QIH1,QMH,QVSH QXE8,QXU,REX4,RXU,SDN,SHM,SHR4,SIH,SM14,SXU,TXU,UIH,UXU,VIH VIH1,VSX3,VTD,VTD1,VTU1,VVSH,VXM,VXU1,WIH1
			1	(1)	-	-	-----	4012552 ----- EN,ET,ETX,HH,HHQ4,HX,HXE,HX4,KTA,LAX,LH,LHB3,LHQ4,LX,LX4,PH PX,QA,QAB1,QAB3,QH,QHE,QHQ4,QKA4,QMC8,QMD6,QME4,QNT,QP,QPU QT,QX,QXB,QXB1,QXE,QXE4,QXW,QX4,Q1,RAC,RH,RHQ4,RMB4,RSK,RX RXE,RXE4,RX4,R1,SAC,SDS2,SDS3,SH,SHQ4,SMB4,SMC7,SMC9,STA SWG4,SX,SB,SXE,SXE4,SX4,S1,TH,TX,TX4,T1,UH,UX,VA,VED,VED1 VGE4,VH,VHH4,VHQ4,VMB3,VMS4,VS,VSD,VSX,VSX1,VS1,VX,VXE,VXE4 VXG,VXU,VX4,V1,W1
	16100-ZH8-901	CARBURETOR ASSY. (BE06S B)....	1	-	-	-	-----	4383863 QZ
	16100-ZH8-W51	CARBURETOR ASSY. (BE65B B)....	1	-	-	-	-----	4011428 HH26,HX26,LX26,QBT6,QBU2,QH26,QNT2,QXE6,QXW2,QX26,RH26,SAD2 TX26,VX26
			1	-	-	-	-----	----- QWA4,SXS4,VXE6
	16100-ZH8-W61	CARBURETOR ASSY. (BE65C B)....	1	-	-	-	-----	4017074 QA26
			1	-	-	-	-----	----- WKT4

2



ZH83-E1402A

ZHUJLJLZ

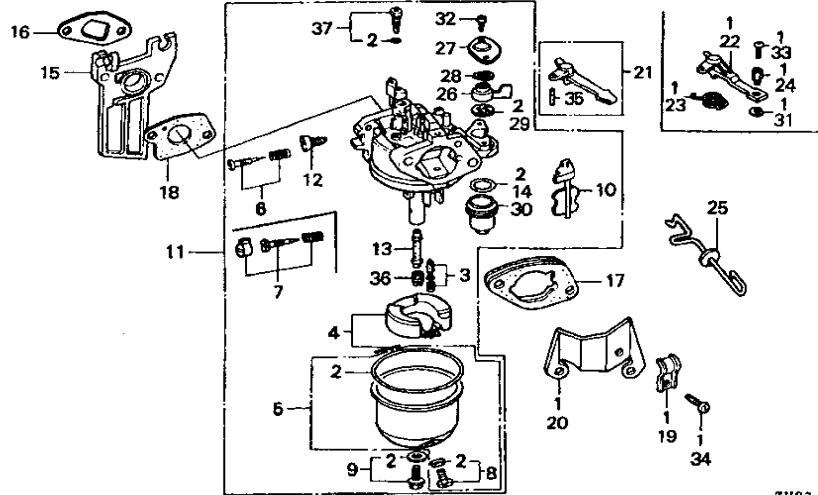
Service	Item	F.R.T.

2

Ref. No.	Part No.	Description	Reqd. QTY				Serial No.	Type
			(1)	(2)	(3)	(4)		
12	16124-ZE0-005	SCREW, THROTTLE STOP.....	1	(1)	1	-	-----	BIH,EN,ET,ETX,HH,HHQ4,HH26,HX,HXE,HXE8,HXU,HX26,HX4,H1,KTA,LAX,LH,LHB3,LHQ4,LHW,LVSH,LX,LXU,LX26,LX4,L1,NW,PH,PHM,PHU,PX,PXU,QA,QAB1,QAB3,QA26,QBT6,QBU2,QH,QHE,QHP1,QHQ4,QH26,QIH1,QKA4,QMC8,QMD6,QME4,QMH,QNT,QNT2,QP,QPU,QT,QVSH,QWA4,QX,QXB,QXB1,QXC6,QXE,QXE4,QXE6,QXE8,QXU,QXW,QXW2,QX26,QX4,QZ,Q1,RAC,REX4,RH,RHQ4,RH26,RMB4,RSK,RX,RXE,RXE4,RXU,RX4,R1,SAC,SAD2,SDN,SDS2,SDS3,SH,SHM,SHQ4,SHR4,SIH,SMB4,SMC7,SMC9,SM14,STA,SWG4,SX,SXB,SXE,SXE4,SXS4,SXU,SX4,S1,TH,THU,TX,TXU,TX26,TX4,T1,UH,UIH,UX,UXU,U1,VA,VED,VED1,VGE4,VH,VHH4,VHQ4,VIH,VIH1,VMB3,VMS4,VS,VSD,VSX,VSX1,VSX3,VS1,VTD,VTD1,VTU1,VVSH,VX,VXE,VXE4,VXE6,VXG,VXM,VXU,VXU1,VX26,VX4,V1,WIH1,WKT4,W1
13	16166-ZH8-810	NOZZLE, MAIN.....	1	(1)	-	-	-----	BE06J A EN,ET,ETX,HH,HX,H1,KTA,LAX,LH,LX,L1,PH,PX,QA,QH,QHE,QNT,QT,QX,QXB,QXE,QXW,Q1,RAC,RH,RSK,RX,RXE,R1,SAC,SH,STA,SX,SXB,SXE,S1,TH,TX,T1,UH,UX,U1,VA,VED,VED1,VH,VS,VSD,VSX,VSX1,VS1,VX,VXE,V1,W1
	16166-ZF1-005	.....	1	-	-	-	-----	QZ
	16166-ZH8-W50	.....	1	-	1	-	-----	BIH,HHQ4,HH26,HXE,HXE8,HXU,HX26,HX4,LHB3,LHQ4,LHW,LVSH,LXU,LX26,LX4,NW,PHM,PHU,PXU,QAB1,QAB3,QBT6,QBU2,QHP1,QHQ4,QH26,QIH1,QKA4,QMC8,QMD6,QME4,QMH,QNT2,QP,QPU,QVSH,QWA4,QXB1,QXE4,QXE6,QXE8,QXU,QXW2,QX26,QX4,REX4,RHQ4,RH26,RMB4,RXE4,RXU,RX4,SAD2,SDN,SDS2,SDS3,SHM,SHQ4,SHR4,SIH,SMB4,SMC7,SMC9,SM14,SWG4,SXE4,SXS4,SXU,SX4,THU,TXU,TX26,TX4,UIH,UXU,VGE4,VHH4,VHQ4,VIH,VIH1,VMB3,VMS4,VSX3,VTD,VTD1,VTU1,VVSH,VXE4,VXE6,VXG,VXM,VXU,VXU1,VX26,VX4,WIH1
			1	(1)	-	-	-----	BE06J B EN,ET,ETX,HH,HX,H1,KTA,LAX,LH,LX,L1,PH,PX,QA,QH,QHE,QNT,QT,QX,QXB,QXE,QXW,Q1,RAC,RH,RSK,RX,RXE,R1,SAC,SH,STA,SX,SXB,SXE,S1,TH,TX,T1,UH,UX,U1,VA,VED,VED1,VH,VS,VSD,VSX,VSX1,VS1,VX,VXE,V1,W1

Ref. No.	Part No.	Description	Reqd. QTY				Serial No.	Type
			(1)	(2)	(3)	(4)		
13)	16166-ZH8-W00 16166-ZH8-W60	NOZZLE, MAIN.....	1	-	-	-	QXC6 QA26,WKT4	
14	16173-001-004	PACKING, FUEL STRAINER CUP....	1	(1)	1	-	BIH, EN, ET, ETX, HH, HHQ4, HH26, HX, HXE, HXE8, HXU, HX26, HX4, H1, KTA LAX, LH, LHB3, LHQ4, LHW, LVSH, LX, LXU, LX26, LX4, L1, NW, PH, PHM, PX PXU, QA, QAB1, QAB3, QA26, QBT6, QBU2, QH, QHE, QHP1, QHQ4, QH26, QIH1 QKA4, QMC8, QMD6, QME4, QMH, QNT, QNT2, QP, QPU, QT, QVSH, QWA4, QX, QXB QXB1, QXC6, QXE, QXE4, QXE6, QXE8, QXU, QXW, QXW2, QX26, QX4, QZ, Q1 RAC, REX4, RH, RHQ4, RH26, RMB4, RSK, RX, RXE, RXE4, RXU, RX4, R1, SAC SAD2, SDN, SDS2, SDS3, SH, SHM, SHQ4, SHR4, SIH, SMB4, SMC7, SMC9, SM14 STA, SWG4, SX, SXB, SXE, SXE4, SXS4, SXU, SX4, S1, TH, TX, TXU, TX26, TX4 T1, UH, UIH, UX, UXU, U1, VA, VED, VED1, VGE4, VH, VHH4, VHQ4, VIH, VIH1 VMB3, VMS4, VS, VSD, VSX, VSX1, VSX3, VS1, VTD, VTD1, VTU1, VVSH, VX VXE, VXE4, VXE6, VXG, VXM, VXU, VXU1, VX26, VX4, V1, WIH1, WKT4, W1	
15	16211-ZE1-000	INSULATOR, CARBURETOR.....	1	1	1	-	BIH, EN, ET, ETX, HH, HHQ4, HH26, HX, HXE, HXE8, HXU, HX26, HX4, H1, KTA LAX, LH, LHB3, LHQ4, LHW, LVSH, LX, LXU, LX26, LX4, L1, NW, PH, PHM, PHU PX, PXU, QA, QAB1, QAB3, QA26, QBT6, QBU2, QH, QHE, QHP1, QHQ4, QH26 QIH1, QKA4, QMC8, QMD6, QME4, QMH, QNT, QNT2, QP, QPU, QT, QVSH, QWA4 QX, QXB, QXB1, QXC6, QXE, QXE4, QXE6, QXE8, QXU, QXW, QXW2, QX26, QX4 QZ, Q1, RAC, REX4, RH, RHQ4, RH26, RMB4, RSK, RX, RXE, RXE4, RXU, RX4, R1 SAC, SAD2, SDN, SDS2, SDS3, SH, SHM, SHQ4, SHR4, SIH, SMB4, SMC7, SMC9 SM14, STA, SWG4, SX, SXB, SXE, SXE4, SXS4, SXU, SX4, S1, TH, THU, TX, TXU TX26, TX4, T1, UH, UIH, UX, UXU, U1, VA, VED, VED1, VGE4, VH, VHH4, VHQ4 VIH, VIH1, VMB3, VMS4, VS, VSD, VSX, VSX1, VSX3, VS1, VTD, VTD1, VTU1 VVSH, VX, VXE, VXE4, VXE6, VXG, VXM, VXU, VXU1, VX26, VX4, V1, WIH1 WKT4, W1	
16	16212-ZH8-000 16212-ZH8-800	PACKING, INSULATOR.....	1	(1)	-	-	2630823 EN, ET, ETX, H1, KTA, L1, QT, QZ, Q1, R1, STA, S1, T1, U1, V1, W1 BIH, HH, HHQ4, HH26, HX, HXE, HXE8, HXU, HX26, HX4, LAX, LH, LHB3, LHQ4 LHW, LVSH, LX, LXU, LX26, LX4, NW, PH, PHM, PHU, PX, PXU, QA, QAB1, QAB3 QA26, QBT6, QBU2, QH, QHE, QHP1, QHQ4, QH26, QIH1, QKA4, QMC8, QMD6 QME4, QMH, QNT, QNT2, QP, QPU, QVSH, QWA4, QX, QXB, QXB1, QXC6, QXE QXE4, QXE6, QXE8, QXU, QXW, QXW2, QX26, QX4, RAC, REX4, RH, RHQ4, RH26 RMB4, RSK, RX, RXE, RXE4, RXU, RX4, SAC, SAD2, SDN, SDS2, SDS3, SH, SHM SHQ4, SHR4, SIH, SMB4, SMC7, SMC9, SM14, SWG4, SX, SXB, SXE, SXE4, SXS4 SXU, SX4, TH, THU, TX, TXU, TX26, TX4, UH, UIH, UX, UXU, VA, VED, VED1 VGE4, VH, VHH4, VHQ4, VIH, VIH1, VMB3, VMS4, VS, VSD, VSX, VSX1, VSX3 VS1, VTD, VTD1, VTU1, VVSH, VX, VXE, VXE4, VXE6, VXG, VXM, VXU, VXU1 VX26, VX4, WIH1, WKT4	
17	16220-ZE1-020  16220-ZE1-004 16269-ZE1-000 16269-ZE1-800	SPACER COMP., CARBURETOR.....  PACKING, AIR CLEANER.....	1	(1)	-	-	2630824 EN, ET, ETX, H1, KTA, L1, QT, QZ, Q1, R1, STA, S1, T1, U1, V1, W1 BIH, EN, ET, ETX, HH, HHQ4, HH26, HX, HXE, HXE8, HXU, HX26, HX4, H1, KTA LAX, LH, LHB3, LHQ4, LHW, LVSH, LX, LXU, LX26, LX4, L1, NW, PH, PHM, PHU PX, PXU, QA, QAB1, QAB3, QA26, QBT6, QBU2, QH, QHE, QHP1, QHQ4, QH26 QKA4, QMC8, QMD6, QME4, QMH, QNT, QNT2, QP, QPU, QT, QWA4, QX, QXB, QXB1 QXC6, QXE, QXE4, QXE6, QXE8, QXU, QXW, QXW2, QX26, QX4, Q1, RAC, REX4 RH, RHQ4, RH26, RMB4, RSK, RX, RXE, RXE4, RXU, RX4, R1, SAC, SAD2, SDN SDS2, SDS3, SH, SHM, SHQ4, SHR4, SIH, SMB4, SMC7, SMC9, SM14, STA, SWG4 SX, SXB, SXE, SXE4, SXS4, SXU, SX4, S1, TH, THU, TX, TXU, TX26, TX4, T1 UH, UIH, UX, UXU, U1, VA, VED, VED1, VGE4, VH, VHH4, VHQ4, VMB3, VMS4, VS VSD, VSX, VSX1, VSX3, VS1, VTD, VTD1, VTU1, VVSH, VX, VXE, VXE4, VXE6, VXG, VXM, VXU, VXU1, VX26, VX4, V1, WIH1, WKT4, W1	
18	16221-ZE1-000	PACKING, CARBURETOR.....	1	(1)	-	-	2647626 BIH, QIH1, QVSH, SIH, UIH, VIH, VIH1, WIH1 QZ 2647627 QZ 2630823 EN, ET, ETX, H1, KTA, L1, QT, QZ, Q1, R1, STA, S1, T1, U1, V1, W1 BIH, SIH, UIH	

2



ZH83-E1402A

ZHJ1481A

Service Item F.R.T.

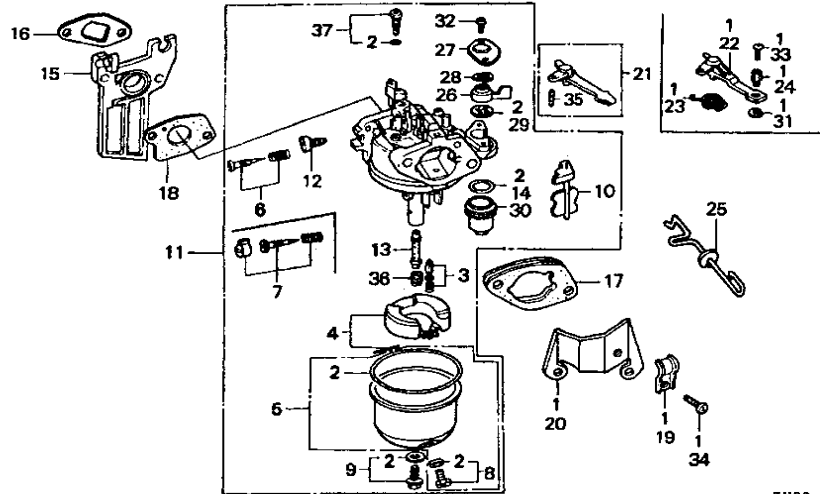
2

Ref. No.	Part No.	Description	Reqd. QTY				Serial No.	Type
			(1)	(2)	(3)	(4)		
18)	16221-ZH8-800	PACKING, CARBURETOR.....	1	-	1	-	3427128	BIH,HH,HX,LAX,LH,LX,PH,PHU,PX,QA,QH,QHE,QNT,QX,QXB,QXE,QXW,RAC,RH,RSK,RX,RXE,SAC,SH,SIH,SX,SXB,SXE,TH,THU,TX,UH,UIH,UX,VA,VED,VED1,VH,VS,VSD,VSX,VSX1,VS1,VX,VXE,VXG,VXU
			1	(1)	-	-	2630824	EN,ET,ETX,KTA,L1,QT,Q2,Q1,R1,STA,S1,T1,V1,W1
			1	-	-	-	3429382	HHQ4,HX4,LHQ4,LX4,QHQ4,QXE4,QX4,RHQ4,RXE4,RX4,SHQ4,SXE4, SX4, TX4,VHQ4,VXE4,VX4
	16221-ZH8-801	.....	-	(1)	-	-	2630824	H1,U1
			1	(1)	1	-	3427129	BIH,EN,ET,ETX,HH,HX,KTA,LAX,LH,LX,L1,PH,PHU,PX,QA,QH,QHE,QNT,QNZ,QT,QX,QXB,QXE,QXW,QZ,Q1,RAC,RH,RSK,RX,RXE,R1,SAC,SH,SIH,STA,SX,SXB,SXE,S1,TH,THU,TX,T1,UH,UIH,UX,VA,VED,VED1,VH,VS,VSD,VSX,VSX1,VS1,VX,VXE,VXG,VXU,V1,W1
			1	-	-	-	3429383	HHQ4,HX4,LHQ4,LX4,QHQ4,QXE4,QX4,RHQ4,RXE4,RX4,SHQ4,SXE4, SX4, TX4,VHQ4,VXE4,VX4
			1	-	1	-		HH26,HXE,HXE8,HXU,HX26,LHB3,LHW,LVSH,LXU,LX26,NW,PHM,PXU,QAB1,QAB3,QA26,QBT6,QBU2,QHP1,QH26,QIH1,QKA4,QMC8,QMD6,QME4,QMH,QNT2,QP,QPU,QVSH,QWA4,QXB1,QXC6,QXE6,QXE8,QXU,QXW2,QX26,REX4,RH26,RMB4,RXU,SAD2,SDN,SDS2,SDS3,SHM,SHR4,SMB4,SMC7,SMC9,SM14,SWG4,SXS4,SXU,TXU,TX26,UXU,VGE4,VHH4,VIH,VIH1,VMB3,VMS4,VSX3,VTD,VTD1,VTU1,VVSH,VXE6,VXM,VXU1,VX26,WIH1,WKT4
19	16582-883-300	HOLDER, CONTROL CABLE.....	1	(1)	-	-		H1,LHW,L1,QXW,QXW2,Q1,R1,S1,T1,U1,V1,W1
			1	-	-	-	4764119	SWG4
20	16598-ZE1-000	STAY, CHOKE CONTROL.....	1	(1)	-	-		H1,LHW,L1,QXW,QXW2,Q1,R1,S1,T1,U1,V1,W1
			1	-	-	-	4764119	SWG4



Ref. No.	Part No.	Description	Reqd. QTY				Serial No.	Type
			(1)	(2)	(3)	(4)		
21	16610-ZE1-000	LEVER COMP., CHOKE (STD.).....	1	(1)	1	-	-----	BIH,EN,ET,ETX,HH,HHQ4,HH26,HX,HXE,HXE8,HXU,HX26,HX4,H1,KTA LAX,LH,LHB3,LHQ4,LVSH,LX,LXU,LX26,LX4,L1,NW,PH,PHM,PHU,PX PXU,QA,QAB1,QAB3,QA26,QBT6,QBU2,QH,QHE,QHP1,QHQ4,QH26,QIH1 QKA4,QMC8,QMD6,QME4,QMH,QNT,QNT2,QP,QPU,QT,QVSH,QWA4,QX,QXB QXB1,QXC6,QXE,QXE4,QXE6,QXE8,QXU,QX26,QX4,Q1,RAC,REX4,RH RHQ4,RH26,RMB4,RSK,RX,RXE,RXE4,RXU,RX4,R1,SAC,SAD2,SDN,SDS2 SDS3,SH,SHM,SHQ4,SHR4,SIH,SMB4,SMC7,SMC9,SM14,STA, SX, SXB SXE,SXE4,SXS4,SXU,SX4,S1,TH,THU, TX, TXU, TX26, TX4, T1, UH, UIH UX,UXU,U1,VA,VED,VED1,VGE4,VH,VHH4,VHQ4,VIH,VIH1,VMB3,VMS4 VS,VSD,VSX,VSX1,VSX3,VS1, VTD, VTD1, VTU1, VVSH, VX, VXE, VXE4 VXE6,VXG,VXM,VXU,VXU1,VX26,VX4,V1,WIH1,WKT4,W1
			1	-	-	-	-----	4764118 SWG4
22	16610-ZE1-810	LEVER COMP., CHOKE (REMOTE)...	1	(1)	-	-	-----	H1,LHW,L1,QXW,QXW2,Q1,R1,S1,T1,U1,V1,W1
			1	-	-	-	-----	4764119 SWG4
23	16615-ZE1-010	SPRING, RETURN.....	1	(1)	-	-	-----	H1,LHW,L1,QXW,QXW2,Q1,R1,S1,T1,U1,V1,W1
			1	-	-	-	-----	4764119 SWG4
24	16617-890-010	HOLDER, CABLE.....	1	(1)	-	-	-----	H1,LHW,L1,QXW,QXW2,Q1,R1,S1,T1,U1,V1,W1
			1	-	-	-	-----	4764119 SWG4
25	16620-ZF1-900	ROD COMP., THROTTLE.....	1	-	-	-	-----	QZ
26	16953-ZE1-811	LEVER, COCK.....	1	(1)	-	-	-----	BE06J B EN,ET,ETX,HH,HHQ4,HH26,HX,HXE,HX26,HX4,KTA,LAX,LH,LHB3,LHQ4 LX,LX26,LX4,PH,PHU,PX,QA,QAB1,QAB3,QA26,QBT6,QBU2,QH,QHE QHQ4,QH26,QKA4,QMC8,QMD6,QME4,QNT,QNT2,QP,QPU,QT,QX,QXB QXB1,QXC6,QXE,QXE4,QXE6,QXW,QXW2,QX26,QX4,QZ,Q1,RAC,RH,RHQ4 RH26,RMB4,RSK,RX,RXE,RXE4,RX4,R1,SAC,SAD2,SDS2,SDS3,SH,SHQ4 SMB4,SMC7,SMC9,STA,SWG4,SX,SXB,SXE,SXE4,SX4,S1,TH,THU, TX TX26, TX4, T1, UH, UX, VA, VED, VED1, VGE4, VH, VHH4, VHQ4, VMB3, VMS4 VS, VSD, VSX, VSX1, VS1, VX, VXE, VXE4, VXG, VXU, VX26, VX4, V1, W1
			-	(1)	1	-	-----	BIH,H1,L1,SIH,UIH,U1
	16953-ZE1-812	.....	1	(1)	-	-	-----	BE06J C EN,ET,ETX,HH,HHQ4,HH26,HX,HXE,HX26,HX4,KTA,LAX,LH,LHB3,LHQ4 LX,LX26,LX4,L1,PH,PHU,PX,QA,QAB1,QAB3,QA26,QBT6,QBU2,QH,QHE QHQ4,QH26,QKA4,QMC8,QMD6,QME4,QNT,QNT2,QP,QPU,QT,QX,QXB QXB1,QXC6,QXE,QXE4,QXE6,QXW,QXW2,QX26,QX4,QZ,Q1,RAC,RH,RHQ4 RH26,RMB4,RSK,RX,RXE,RXE4,RX4,R1,SAC,SAD2,SDS2,SDS3,SH,SHQ4 SMB4,SMC7,SMC9,STA,SWG4,SX,SXB,SXE,SXE4,SX4,S1,TH,THU, TX TX26, TX4, T1, UH, UX, VA, VED, VED1, VGE4, VH, VHH4, VHQ4, VMB3, VMS4 VS, VSD, VSX, VSX1, VS1, VX, VXE, VXE4, VXG, VXU, VX26, VX4, V1, W1
			1	-	1	-	-----	HXE8,HXU,LHW,LVSH,LXU,NW,PHM,PXU,QHP1,QIH1,QMH,QVSH,QWA4 QXE8,QXU,REX4,RXU,SDN,SHM,SHR4,SM14,SXS4,SXU, TXU, UXU, VIH VIH1,VSX3,VTD,VTD1,VTU1, VVSH, VXE6, VXM, VXU1, WIH1, WKT4 QXC6
27	16954-ZF0-841 16954-ZE1-812	PLATE, LEVER SETTING..... .....	1 1	- (1)	- 1	- -	----- -----	BE65G A ----- BE65G B

2



ZHB3-E1402A



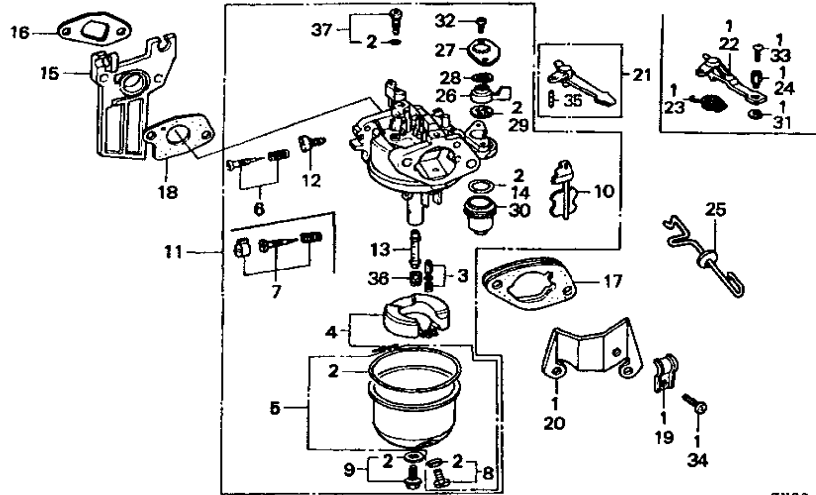
ZH11102A

Service Item F.R.T.

Ref. No.	Part No.	Description	Reqd. QTY	Serial No.	Type
28	16956-ZE1-811	SPRING, COCK LEVER.....	GX169X1 (1) (2) (3) (4) 1 (1) 1 -		BIH, EN, ET, ETX, HH, HHQ4, HH26, HX, HXE, HXE8, HXU, HX26, HX4, H1, KTA, LAX, LH, LHB3, LHQ4, LHW, LVSH, LX, LXU, LX26, LX4, L1, NW, PH, PHM, PHU, PX, PXU, QA, QAB1, QAB3, QA26, QBT6, QBU2, QH, QHE, QHP1, QHQ4, QH26, QIH1, QKA4, QMC8, QMD6, QME4, QMH, QNT, QNT2, QP, QPU, QT, QVSH, QWA4, QX, QXB, QXB1, QXC6, QXE, QXE4, QXE6, QXE8, QXU, QXW, QXW2, QX26, QX4, QZ, Q1, RAC, REX4, RH, RHQ4, RH26, RMB4, RSK, RX, RXE, RXE4, RXU, RX4, R1, SAC, SAD2, SDN, SDS2, SDS3, SH, SHM, SHQ4, SHR4, SIH, SMB4, SMC7, SMC9, SM14, STA, SWG4, SX, SXB, SXE, SXE4, SXS4, SXU, SX4, S1, TH, THU, TX, TXU, TX26, TX4, T1, UH, UIH, UX, UXU, U1, VA, VED, VED1, VGE4, VH, VHH4, VHQ4, VIH, VIH1, VMB3, VMS4, VS, VSD, VSX, VSX1, VSX3, VS1, VTD, VTD1, VTU1, VVSH, VX, VXE, VXE4, VXE6, VXG, VXM, VXU, VXU1, VX26, VX4, V1, WIH1, WKT4, W1
29	16957-ZE1-812	PACKING, FUEL COCK.....	GX169X1 (1) (2) (3) (4) 1 (1) 1 -		BIH, EN, ET, ETX, HH, HHQ4, HH26, HX, HXE, HXE8, HXU, HX26, HX4, H1, KTA, LAX, LH, LHB3, LHQ4, LHW, LVSH, LX, LXU, LX26, LX4, L1, NW, PH, PHM, PHU, PX, PXU, QA, QAB1, QAB3, QA26, QBT6, QBU2, QH, QHE, QHP1, QHQ4, QH26, QIH1, QKA4, QMC8, QMD6, QME4, QMH, QNT, QNT2, QP, QPU, QT, QVSH, QWA4, QX, QXB, QXB1, QXC6, QXE, QXE4, QXE6, QXE8, QXU, QXW, QXW2, QX26, QX4, QZ, Q1, RAC, REX4, RH, RHQ4, RH26, RMB4, RSK, RX, RXE, RXE4, RXU, RX4, R1, SAC, SAD2, SDN, SDS2, SDS3, SH, SHM, SHQ4, SHR4, SIH, SMB4, SMC7, SMC9, SM14, STA, SWG4, SX, SXB, SXE, SXE4, SXS4, SXU, SX4, S1, TH, THU, TX, TXU, TX26, TX4, T1, UH, UIH, UX, UXU, U1, VA, VED, VED1, VGE4, VH, VHH4, VHQ4, VIH, VIH1, VMB3, VMS4, VS, VSD, VSX, VSX1, VSX3, VS1, VTD, VTD1, VTU1, VVSH, VX, VXE, VXE4, VXE6, VXG, VXM, VXU, VXU1, VX26, VX4, V1, WIH1, WKT4, W1

Ref. No.	Part No.	Description	Reqd. QTY				Serial No.	Type
			(1)	(2)	(3)	(4)		
30	16967-ZEO-811	CUP, FUEL STRAINER.....	1	(1)	1	-	BIH, EN, ET, ETX, HH, HHQ4, HH26, HX, HXE, HXE8, HXU, HX26, HX4, H1, KTA, LAX, LH, LHB3, LHQ4, LHW, LVSH, LX, LXU, LX26, LX4, L1, NW, PH, PHM, PX, PXU, QA, QAB1, QAB3, QA26, QBT6, QBU2, QH, QHE, QHP1, QHQ4, QH26, QIH1, QKA4, QMC8, QMD6, QME4, QMH, QNT, QNT2, QP, QPU, QT, QVSH, QWA4, QX, QXB, QXB1, QXC6, QXE, QXE4, QXE6, QXE8, QXU, QXW, QXW2, QX26, QX4, QZ, Q1, RAC, REX4, RH, RHQ4, RH26, RMB4, RSK, RX, RXE, RXE4, RXU, RX4, R1, SAC, SAD2, SDN, SDS2, SDS3, SH, SHM, SHQ4, SHR4, SIH, SMB4, SMC7, SMC9, SM14, STA, SWG4, SX, SXB, SXE, SXE4, SXS4, SXU, SX4, S1, TH, TX, TXU, TX26, TX4, T1, UH, UIH, UX, UXU, U1, VA, VED, VED1, VGE4, VH, VHH4, VHQ4, VIH, VIH1, VMB3, VMS4, VS, VSD, VSX, VSX1, VSX3, VS1, VTD, VTD1, VTU1, VVSH, VX, VXE, VXE4, VXE6, VXG, VXM, VXU, VXU1, VX26, VX4, V1, WIH1, WKT4, W1	
31	90605-230-000	CIRCLIP, 5MM.....	1	(1)	-	-	H1, LHW, L1, QWA4, QXW, QXW2, Q1, R1, S1, T1, U1, V1, W1 SWG4	
32	93500-03008-1G	SCREW, PAN, 3X8.....	2	(2)	-	-	BE06J A EN, ET, ETX, HH, HX, H1, KTA, LAX, LH, LX, L1, PH, PX, QA, QH, QHE, QNT, QT, QX, QXB, QXE, QXW, Q1, RAC, RH, RSK, RX, RXE, R1, SAC, SH, STA, SX, SXB, SXE, S1, TH, TX, T1, UH, UX, U1, VA, VED, VED1, VH, VS, VSD, VSX, VSX1, VS1, VX, VXE, V1, W1 BE65B A HH26, HX26, LX26, QBT6, QBU2, QH26, QNT2, QXE6, QXW2, QX26, RH26, SAD2, TX26, VX26 BE06U A PHU, THU BE65C A QA26 BE65G A QXC6	
	93500-03006-1H	SCREW, PAN, 3X6.....	2	(2)	-	-	BE06J B EN, ET, ETX, HH, HX, KTA, LAX, LH, LX, PH, PX, QA, QH, QHE, QNT, QT, QX, QXB, QXE, QXW, Q1, RAC, RH, RSK, RX, RXE, R1, SAC, SH, STA, SX, SXB, SXE, S1, TH, TX, T1, UH, UX, VA, VED, VED1, VH, VHQ4, VS, VSD, VSX, VSX1, VS1, VX, VXE, V1, W1 BE65B B HH26, HX26, LX26, QBT6, QBU2, QH26, QNT2, QXE6, QXW2, QX26, RH26, SAD2, TX26, VX26 HXE8, HXU, LHW, LVSH, LXU, NW, PHM, PXU, QHP1, QIH1, QMH, QVSH, QWA4, QXE8, QXU, REX4, RXU, SDN, SHM, SHR4, SM14, SXS4, SXU, TXU, UXU, VIH, VIH1, VSX3, VTD, VTD1, VTU1, VVSH, VXE6, VXM, VXU1, WIH1, WKT4 BE06U B PHU, THU BE65C B QA26 BE65G B QXC6	
33	93500-04008-0A	SCREW, PAN, 4X8.....	1	(1)	-	-	H1, LHW, L1, QXW, QXW2, Q1, R1, S1, T1, U1, V1, W1 SWG4	
34	93500-05008-0A	SCREW, PAN, 5X8.....	1	(1)	-	-	H1, LHW, L1, QXW, QXW2, Q1, R1, S1, T1, U1, V1, W1 SWG4	
35	94305-20122	PIN, SPRING, 2X12.....	1	(1)	1	-	BIH, EN, ET, ETX, HH, HHQ4, HH26, HX, HXE, HXE8, HXU, HX26, HX4, H1, KTA, LAX, LH, LHB3, LHQ4, LVSH, LX, LXU, LX26, LX4, L1, NW, PH, PHM, PHU, PX, PXU, QA, QAB1, QAB3, QA26, QBT6, QBU2, QH, QHE, QHP1, QHQ4, QH26, QIH1, QKA4, QMC8, QMD6, QME4, QMH, QNT, QNT2, QP, QPU, QT, QVSH, QWA4, QX, QXB, QXB1, QXC6, QXE, QXE4, QXE6, QXE8, QXU, QXW, QXW2, QX26, QX4, Q1, RAC, REX4, RH, RHQ4, RH26, RMB4, RSK, RX, RXE, RXE4, RXU, RX4, R1, SAC, SAD2, SDN, SDS2, SDS3, SH, SHM, SHQ4, SHR4, SIH, SMB4, SMC7, SMC9, SM14, STA, SX, SXB, SXE, SXE4, SXS4, SXU, SX4, S1, TH, THU, TX, TXU, TX26, TX4, T1, UH, UIH, UX, UXU, U1, VA, VED, VED1, VGE4, VH, VHH4, VHQ4, VIH, VIH1, VMB3, VMS4, VS, VSD, VSX, VSX1, VSX3, VS1, VTD, VTD1, VTU1, VVSH, VX, VXE, VXE4, VXE6, VXG, VXM, VXU, VXU1, VX26, VX4, V1, WIH1, WKT4, W1 4764118 SWG4	
36	99101-ZF5-0680	JET, MAIN, #68.....	(1)	(1)	-	-	BE06J A EN, ET, ETX, HH, HX, H1, KTA, LAX, LH, LX, L1, PH, PX, QA, QH, QHE, QNT, QT, QX, QXB, QXE, QXW, Q1, RAC, RH, RSK, RX, RXE, R1, SAC, SH, STA, SX, SXB, SXE, S1, TH, TX, T1, UH, UX, U1, VA, VED, VED1, VH, VS, VSD, VSX, VSX1, VS1, VX, VXE, V1, W1	

2



ZH83-E1402A

ZH111111A

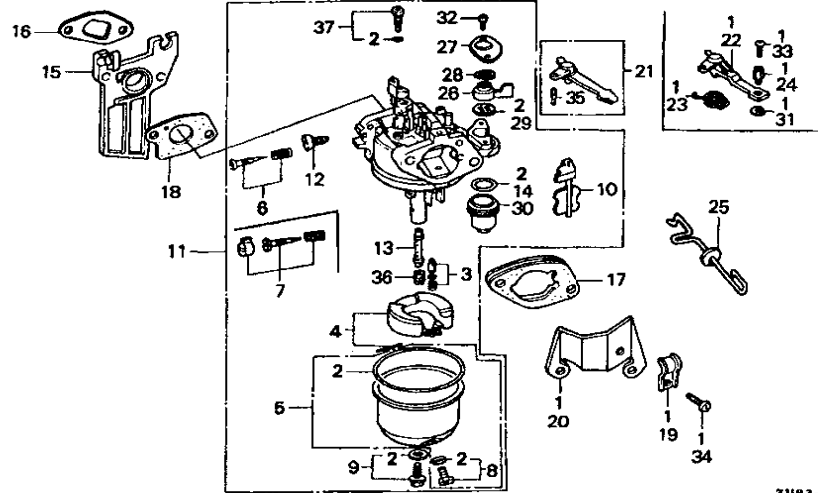
Service	Item	F.R.T.

2

Ref. No.	Part No.	Description	Reqd. QTY				Serial No.	Type
			(1)	(2)	(3)	(4)		
36)	99101-ZF5-0700	JET, MAIN, #70.....	(1)	(1)	-	-	BE06J A	EN,ET,ETX,HH,HX,H1,KTA,LAX,LH,LX,L1,PH,PX,QA,QH,QHE,QNT,QT,QX,QXB,QXE,QXW,Q1,RAC,RH,RSK,RX,RXE,R1,SAC,SH,STA,SX,SXB,SXE,S1,TH,TX,T1,UH,UX,U1,VA,VED,VED1,VH,VS,VSD,VSX,VSX1,VS1,VX,VXE,V1,W1
	99101-ZF5-0720	JET, MAIN, #72.....	(1)	-	-	-	BE06J A	QZ EN,ET,ETX,HH,HX,H1,KTA,LAX,LH,LX,L1,PH,PX,QA,QH,QHE,QNT,QT,QX,QXB,QXE,QXW,Q1,RAC,RH,RSK,RX,RXE,R1,SAC,SH,STA,SX,SXB,SXE,S1,TH,TX,T1,UH,UX,U1,VA,VED,VED1,VH,VS,VSD,VSX,VSX1,VS1,VX,VXE,V1,W1
	99101-ZF5-0750	JET, MAIN, #75.....	(1)	-	-	-	BE06J B	QZ
	99101-ZH7-0650	JET, MAIN, #65.....	(1)	(1)	-	-	BE06J B	EN,ET,ETX,HH,HX,KTA,LAX,LH,LX,PH,PX,QA,QH,QHE,QNT,QT,QX,QXB,QXE,QXW,Q1,RAC,RH,RSK,RX,RXE,R1,SAC,SH,STA,SX,SXB,SXE,S1,TH,TX,T1,UH,UX,VA,VED,VED1,VH,VS,VSD,VSX,VSX1,VS1,VX,VXE,V1,W1
			(1)	-	-	-	BE06J B	HHQ4,HXE,HX4,LHB3,LHQ4,LX4,QAB1,QAB3,QHQ4,QKA4,QMC8,QMD6,QME4,QP,QPU,QXB1,QXE4,QX4,RHQ4,RMB4,RXE4,RX4,SDS2,SDS3,SHQ4,SMB4,SMC7,SMC9,SWG4,SXE4, SX4, TX4, VGE4, VHH4, VHQ4, VMB3, VMS4, VXE4, VXG, VXU, VX4
			(1)	-	-	-	BE65B A	HH26,HX26,LX26,QBT6,QBU2,QH26,QNT2,QXE6,QXW2,QX26,RH26,SAD2,TX26,VX26
			-	(1)	-	-	BE06J B	H1,L1,U1
			-	-	(1)	-		BIH,SIH,UIH

Ref. No.	Part No.	Description	Reqd. QTY				Serial No.	Type
			(1)	(2)	(3)	(4)		
36)	99101-ZH7-0680	JET, MAIN, #68.....	(1)	(1)	-	-	BE06J B BE06J B	EN, ET, ETX, HH, HX, KTA, LAX, LH, LX, PH, PX, QA, QH, QHE, QNT, QT, QX, QXB, QXE, QXW, Q1, RAC, RH, RSK, RX, RXE, R1, SAC, SH, STA, SX, SXB, SXE, S1, TH, TX, T1, UH, UX, VA, VED, VED1, VH, VS, VSD, VSX, VSX1, VS1, VX, VXE, V1, W1
			(1)	-	-	-	BE06J B	HHQ4, HXE, HX4, LHB3, LHQ4, LX4, QAB1, QAB3, QHQ4, QKA4, QMC8, QMD6, QME4, QP, QPU, QXB1, QXE4, QX4, RHQ4, RMB4, RXE4, RX4, SDS2, SDS3, SHQ4, SMB4, SMC7, SMC9, SWG4, SXE4, SX4, TX4, VGE4, VHH4, VHQ4, VMB3, VMS4, VXE4, VXG, VXU, VX4
			(1)	-	-	-	BE65B A	HH26, HX26, LX26, QBT6, QBU2, QH26, QNT2, QXE6, QXW2, QX26, RH26, SAD2, TX26, VX26
			-	(1)	-	-	BE06J B	H1, L1, U1
99101-ZH7-0700	JET, MAIN, #70.....	JET, MAIN, #70.....	1	1	-	-	BE06J B BE06J B	EN, ET, ETX, HH, HX, KTA, LAX, LH, LX, PH, PX, QA, QH, QHE, QNT, QT, QX, QXB, QXE, QXW, Q1, RAC, RH, RSK, RX, RXE, R1, SAC, SH, STA, SX, SXB, SXE, S1, TH, TX, T1, UH, UX, VA, VED, VED1, VH, VS, VSD, VSX, VSX1, VS1, VX, VXE, V1, W1
			1	-	-	-	BE06J B	HHQ4, HXE, HX4, LHB3, LHQ4, LX4, QAB1, QAB3, QHQ4, QKA4, QMC8, QMD6, QME4, QP, QPU, QXB1, QXE4, QX4, RHQ4, RMB4, RXE4, RX4, SDS2, SDS3, SHQ4, SMB4, SMC7, SMC9, SWG4, SXE4, SX4, TX4, VGE4, VHH4, VHQ4, VMB3, VMS4, VXE4, VXG, VXU, VX4
			1	-	-	-	BE65B A	HH26, HX26, LX26, QBT6, QBU2, QH26, QNT2, QXE6, QXW2, QX26, RH26, SAD2, TX26, VX26
			-	1	-	-	BE06J B	H1, L1, U1
99101-ZH8-0620	JET, MAIN, #62.....	JET, MAIN, #62.....	(1)	-	-	-	QXC6	
			(1)	-	(1)	-	BIH, HXE8, HXU, LHW, LVSH, LXU, NW, PHM, PHU, PXU, QA26, QHP1, QIH1, QMH, QVSH, QXC6, QXE8, QXU, REX4, RXU, SDN, SHM, SHR4, SIH, SM14, SXU, THU, TXU, UIH, UXU, VIH, VIH1, VSX3, VTD, VTD1, VTU1, VVSH, VXM, VXU1, WIH1, WKT4	
99101-ZH8-0650	JET, MAIN, #65.....	JET, MAIN, #65.....	(1)	(1)	-	-	BE06J C	EN, ET, ETX, HH, HHQ4, HX, HXE, HX4, KTA, LAX, LH, LHB3, LHQ4, LX, LX4, PH, PX, QA, QAB1, QAB3, QH, QHE, QHQ4, QKA4, QMC8, QMD6, QME4, QNT, QP, QPU, QT, QX, QXB, QXB1, QXE, QXE4, QXW, QX4, Q1, RAC, RH, RHQ4, RMB4, RSK, RX, RXE, RXE4, RX4, R1, SAC, SDS2, SDS3, SH, SHQ4, SMB4, SMC7, SMC9, STA, SWG4, SX, SXB, SXE, SXE4, SX4, S1, TH, TX, TX4, T1, UH, UX, VA, VED, VED1, VGE4, VH, VHH4, VHQ4, VMB3, VMS4, VS, VSD, VSX, VSX1, VS1, VX, VXE, VXE4, VXG, VXU, VX4, V1, W1
			(1)	-	-	-	BE65B B	HH26, HX26, LX26, QBT6, QBU2, QH26, QNT2, QXE6, QXW2, QX26, RH26, SAD2, TX26, VX26
			(1)	-	(1)	-	BE06J C	BIH, HXE8, HXU, LHW, LVSH, LXU, NW, PHM, PHU, PXU, QA26, QHP1, QIH1, QMH, QVSH, QXE8, QXU, REX4, RXU, SDN, SHM, SHR4, SIH, SM14, SXU, THU, TXU, UIH, UXU, VIH, VIH1, VSX3, VTD, VTD1, VTU1, VVSH, VXM, VXU1, WIH1, WKT4
			(1)	(1)	-	-	BE06J C	EN, ET, ETX, HH, HHQ4, HX, HXE, HX4, KTA, LAX, LH, LHB3, LHQ4, LX, LX4, PH, PX, QA, QAB1, QAB3, QH, QHE, QHQ4, QKA4, QMC8, QMD6, QME4, QNT, QP, QPU, QT, QX, QXB, QXB1, QXE, QXE4, QXW, QX4, Q1, RAC, RH, RHQ4, RMB4, RSK, RX, RXE, RXE4, RX4, R1, SAC, SDS2, SDS3, SH, SHQ4, SMB4, SMC7, SMC9, STA, SWG4, SX, SXB, SXE, SXE4, SX4, S1, TH, TX, TX4, T1, UH, UX, VA, VED, VED1, VGE4, VH, VHH4, VHQ4, VMB3, VMS4, VS, VSD, VSX, VSX1, VS1, VX, VXE, VXE4, VXG, VXU, VX4, V1, W1
99101-ZH8-0680	JET, MAIN, #68.....	JET, MAIN, #68.....	(1)	-	-	-	BE65B B	HH26, HX26, LX26, QBT6, QBU2, QH26, QNT2, QXE6, QXW2, QX26, RH26, SAD2, TX26, VX26
			1	-	-	-	QXC6	

2



ZH83-E1402A



ZH111481A

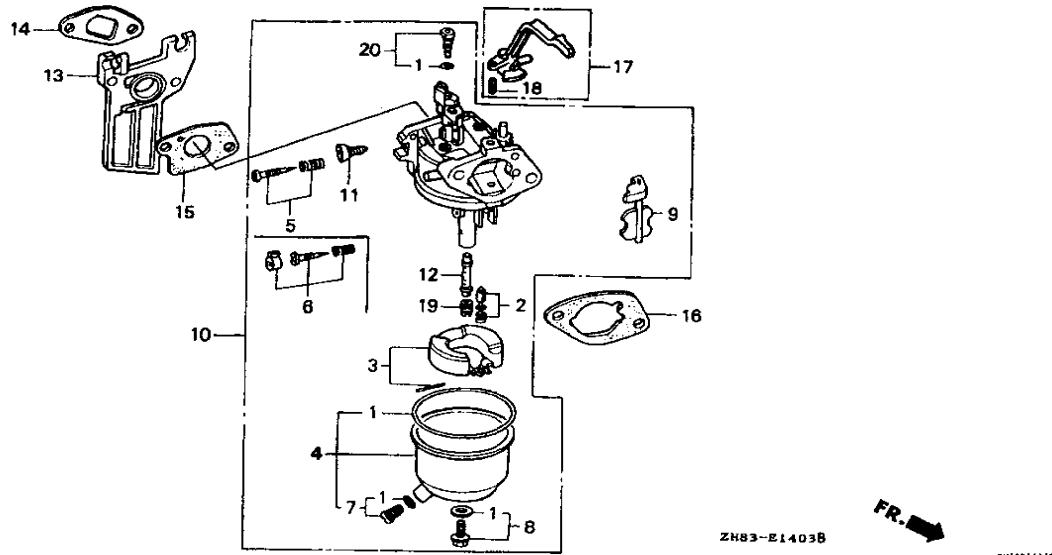
Service Item F.R.T.

Ref. No.	Part No.	Description	Reqd. QTY				Serial No.	Type	
			(1)	(2)	(3)	(4)			
36)	99101-ZH8-0700	JET, MAIN, #70.....	1	-	1	-	-----	BIH, HXE8, HXU, LHW, LVSH, LXU, NW, PHM, PHU, PXU, QA26, QHP1, QIH1, QMH, QVSH, QXE8, QXU, REX4, RXU, SDN, SHM, SHR4, SIH, SM14, SXU, THU, TXU, UIH, UXU, VIH, VIH1, VSX3, VTD, VTD1, VTU1, VVSH, VXM, VXU1, WIH1, WKT4	
			1	1	-	-	BE06J C	EN, ET, ETX, HH, HHQ4, HX, HXE, HX4, KTA, LAX, LH, LHB3, LHQ4, LX, LX4, PH, PX, QA, QAB1, QAB3, QH, QHE, QHQ4, QKA4, QMC8, QMD6, QME4, QNT, QP, QPU, QT, QX, QXB, QXB1, QXE, QXE4, QXW, QX4, Q1, RAC, RH, RHQ4, RMB4, RSK, RX, RXE, RXE4, RX4, R1, SAC, SDS2, SDS3, SH, SHQ4, SMB4, SMC7, SMC9, STA, SWG4, SX, SXB, SXE, SXE4, SX4, S1, TH, TX, TX4, T1, UH, UX, VA, VED, VED1, VGE4, VH, VHH4, VHQ4, VMB3, VMS4, VS, VSD, VSX, VSX1, VS1, VX, VXE, VXE4, VXG, VXU, VX4, V1, W1	
			1	-	-	-	BE65B B	HH26, HX26, LX26, QBT6, QBU2, QH26, QNT2, QXE6, QXW2, QX26, RH26, SAD2, TX26, VX26	
37	99204-ZE0-0380	JET SET, PILOT, #38.....	1	(1)	-	-	-----	BE06J A	EN, ET, ETX, HH, HX, H1, KTA, LAX, LH, LX, L1, PH, PX, QA, QH, QHE, QNT, QT, QX, QXB, QXE, QXW, Q1, RAC, RH, RSK, RX, RXE, R1, SAC, SH, STA, SX, SXB, SXE, S1, TH, TX, T1, UH, UX, U1, VA, VED, VED1, VH, VS, VSD, VSX, VSX1, VS1, VX, VXE, V1, W1
			1	-	-	-	-----	QZ	
	99204-ZE0-0400	JET SET, PILOT, #40.....	1	-	-	-	-----	QXC6	

2

Ref. No.	Part No.	Description	Reqd. QTY				Serial No.	Type
			(1)	(2)	(3)	(4)		
37)	99204-ZE0-0350	JET SET, PILOT, #35.....	1	-	1	-	-----	BIH,HHQ4,HH26,HXE,HXE8,HXU,HX26,HX4,LHB3,LHQ4,LHW,LVSH,LXU LX26,LX4,NW,PHM,PHU,PXU,QAB1,QAB3,QA26,QBT6,QBU2,QHP1,QHQ4 QH26,QIH1,QKA4,QMC8,QMD6,QME4,QMH,QNT2,QP,QPU,QVSH,QWA4 QXB1,QXE4,QXE6,QXE8,QXU,QXW2,QX26,QX4,REX4,RHQ4,RH26,RMB4 RXE4,RXU,RX4,SAD2,SDN,SDS2,SDS3,SHM,SHQ4,SHR4,SIH,SMB4,SMC7 SMC9,SM14,SWG4,SXE4,SXS4,SXU,SX4,THU,TXU,TX26,TX4,UIH,UXU VGE4,VHH4,VHQ4,VIH,VIH1,VMB3,VMS4,VSX3,VTD,VTD1,VTU1,VVSH VXE4,VXE6,VXG,VXM,VXU,VXU1,VX26,VX4,WIH1,WKT4 1 (1) - - BE06J B ----- EN,ET,ETX,HH,HX,H1,KTA,LAX,LH,LX,L1,PH,PX,QA,QH,QHE,QNT,QT QX,QXB,QXE,QXW,Q1,RAC,RH,RSK,RX,RXE,R1,SAC,SH,STA,SX,SXB SXE,S1,TH,TX,T1,UH,UX,U1,VA,VED,VED1,VH,VS,VSD,VSX,VSX1,VS1 VX,VXE,V1,W1

**2**



Service Item	F.R.T.
GASKET SET.....	0.3
.VALVE SET, FLOAT	
.FLOAT SET	
.JET, MAIN,	
SCREW SET.....	0.2
.CARBURETOR ASSY.	
.INSULATOR, CARBURETOR	
.PACKING, INSULATOR	
.PACKING, CARBURETOR	
.LEVER COMP., CHOKE	

ZH83-E1403B

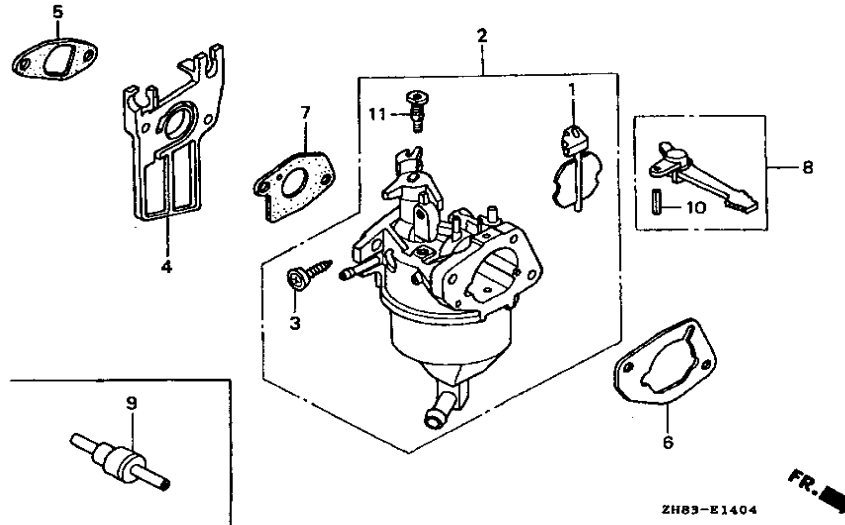
ZH11118

Ref. No.	Part No.	Description	Reqd. QTY				Serial No.	Type
			GX160K1					
			(1)	(2)	(3)	(4)		
1	16010-ZB1-015	GASKET SET.....	1	-	-	-	VED2,VED3,VMT,VPM4,VPR4,VSB1,VSD1,VSW,VS3,VS4,VTE2,VTX,VTX1	
2	16011-ZE0-005	VALVE SET, FLOAT.....	1	-	-	-	VED2,VED3,VMT,VPM4,VPR4,VSB1,VSD1,VSW,VS3,VS4,VTE2,VTX,VTX1	
3	16013-ZE0-005	FLOAT SET.....	1	-	-	-	VED2,VED3,VMT,VPM4,VPR4,VSB1,VSD1,VSW,VS3,VS4,VTE2,VTX,VTX1	
4	16015-ZH8-D20	CHAMBER SET, FLOAT.....	1	-	-	-	BE51A A VED2,VED3,VSD1,VSW,VS3,VS4	
	16015-ZE1-811	.....	1	-	-	-	BE67A A BE67A A VED2	
	16015-ZE0-831	.....	1	-	-	-	BE67A B VED2	
		.....	1	-	-	-	BE51A B VED3,VSD1,VSW,VS3,VS4	
		.....	1	-	-	-	VMT,VPM4,VPR4,VSB1,VTE2,VTX,VTX1	
5	16016-ZE0-005	SCREW SET, PILOT.....	1	-	-	-	BE51A A VED2	
		.....	1	-	-	-	VED3,VMT,VSB1,VSD1,VSW,VS3,VS4,VTX,VTX1	
6	16016-ZH7-W01	SCREW SET.....	1	-	-	-	BE67A A VED2	
		.....	1	-	-	-	VPM4,VPR4,VTE2	
7	16024-ZE1-811	SCREW SET, DRAIN.....	1	-	-	-	BE67A A VED2	
		.....	1	-	-	-	VPM4,VPR4,VTE2	
8	16028-ZE0-005	SCREW SET.....	1	-	-	-	VED2,VED3,VMT,VPM4,VPR4,VSB1,VSD1,VSW,VS3,VS4,VTE2,VTX,VTX1	
9	16044-ZE0-005	CHOKE SET.....	1	-	-	-	VED2,VED3,VMT,VPM4,VPR4,VSB1,VSD1,VSW,VS3,VS4,VTE2,VTX,VTX1	
10	16100-ZH8-D20	CARBURETOR ASSY. (BE51A A)....	1	-	-	-	3417142 VED2	
		.....	1	-	-	-	4015544 VED3,VSD1,VSW,VS3,VS4	
	16100-ZH8-D21	CARBURETOR ASSY. (BE51A B)....	1	-	-	-	4015545 VED3,VSD1,VSW,VS3,VS4	
		.....	1	-	-	-	VMT,VSB1,VTX,VTX1	
	16100-ZH8-E80	CARBURETOR ASSY. (BE67A A)....	1	-	-	-	3417143 4067479 VED2	
	16100-ZH8-E81	CARBURETOR ASSY. (BE67A B)....	1	-	-	-	4067480 VED2	
		.....	1	-	-	-	VPM4,VPR4,VTE2	
11	16124-ZE0-005	SCREW, THROTTLE STOP.....	1	-	-	-	VED2,VED3,VMT,VPM4,VPR4,VSB1,VSD1,VSW,VS3,VS4,VTE2,VTX,VTX1	
12	16166-ZH8-D20	NOZZLE, MAIN.....	1	-	-	-	BE51A A VED2	
		.....	1	-	-	-	VED3,VMT,VSB1,VSD1,VSW,VS3,VS4,VTX,VTX1	



Ref. No.	Part No.	Description	Reqd. QTY				Serial No.	Type
			(1)	(2)	(3)	(4)		
12)	16166-ZH8-E80	NOZZLE, MAIN.....	1	-	-	-	BE67A A	VED2
			1	-	-	-		VPM4,VPR4,VTE2
13	16211-ZE1-000	INSULATOR, CARBURETOR.....	1	-	-	-		VED2,VED3,VMT,VPM4,VPR4,VS1,VS4,VTE2,VTX,VTX1
14	16212-ZH8-800	PACKING, INSULATOR.....	1	-	-	-		VED2,VED3,VMT,VPM4,VPR4,VS1,VS4,VTE2,VTX,VTX1
15	16221-ZH8-800	PACKING, CARBURETOR.....	1	-	-	-	3427128	VED2,VED3,VSD1,VS3,VS4
	16221-ZH8-801	.....	1	-	-	-	3427129	VED2,VED3,VSD1,VS3,VS4
			1	-	-	-		VMT,VPM4,VPR4,VS1,VS4,VTE2,VTX,VTX1
16	16269-ZE1-800	PACKING, AIR CLEANER.....	1	-	-	-		VED2,VED3,VMT,VPM4,VPR4,VS1,VS4,VTE2,VTX,VTX1
17	16610-ZB2-000	LEVER COMP., CHOKE.....	1	-	-	-		VED2,VED3,VMT,VPM4,VPR4,VS1,VS4,VTE2,VTX,VTX1
18	94305-20122	PIN, SPRING, 2X12.....	1	-	-	-		VED2,VED3,VMT,VPM4,VPR4,VS1,VS4,VTE2,VTX,VTX1
19	99101-ZF5-0700	JET, MAIN, #70.....	(1)	-	-	-	BE51A A	VED2,VED3,VSD1,VS3,VS4
	99101-ZF5-0720	JET, MAIN, #72.....	(1)	-	-	-	BE51A A	VED2,VED3,VSD1,VS3,VS4
	99101-ZF5-0750	JET, MAIN, #75.....	1	-	-	-	BE51A A	VED2,VED3,VSD1,VS3,VS4
	99101-ZH7-0700	JET, MAIN, #70.....	(1)	-	-	-	BE67A A	VED2
	99101-ZH7-0720	JET, MAIN, #72.....	(1)	-	-	-	BE67A A	VED2
	99101-ZH7-0750	JET, MAIN, #75.....	1	-	-	-	BE67A A	VED2
	99101-ZH8-0700	JET, MAIN, #70.....	(1)	-	-	-	BE67A B	VED2
			(1)	-	-	-	BE51A B	VED3,VSD1,VS3,VS4
			(1)	-	-	-		VMT,VPM4,VPR4,VS1,VTE2,VTX,VTX1
	99101-ZH8-0720	JET, MAIN, #72.....	(1)	-	-	-	BE67A B	VED2
			(1)	-	-	-	BE51A B	VED3,VSD1,VS3,VS4
			(1)	-	-	-		VMT,VPM4,VPR4,VS1,VTE2,VTX,VTX1
	99101-ZH8-0750	JET, MAIN, #75.....	1	-	-	-	BE67A B	VED2
			1	-	-	-	BE51A B	VED3,VSD1,VS3,VS4
			1	-	-	-		VMT,VPM4,VPR4,VS1,VTE2,VTX,VTX1
20	99204-ZE0-0380	JET SET, PILOT, #38.....	1	-	-	-	BE51A A	VED2
			1	-	-	-		VED3,VMT,VS1,VS4,VS4,VTX,VTX1
	99204-ZE0-0350	JET SET, PILOT, #35.....	1	-	-	-	BE67A A	VED2
			1	-	-	-		VED3,VPM4,VPR4,VS1,VS4,VS4,VTE2,VTX,VTX1

2



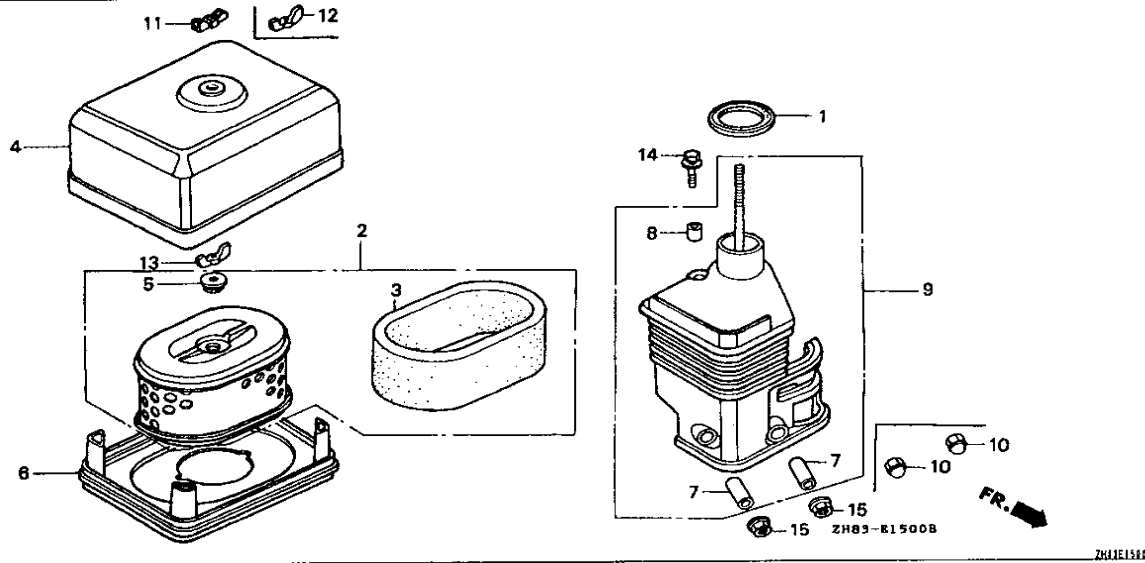
Service Item	F.R.T.
CARBURETOR ASSY.....	0.2
.INSULATOR, CARBURETOR	
.PACKING, INSULATOR	
.PACKING, CARBURETOR	
.LEVER COMP., CHOKE	
VALVE, DASHPOT CHECK.....	0.1

Ref. No.	Part No.	Description	Reqd. QTY				Serial No.	Type
			GX160K1					
			(1)	(2)	(3)	(4)		
1	16044-ZH8-831	CHOKE SET.....	-	-	-	1		
2	16100-ZH8-831	CARBURETOR ASSY. (BELOA A)....	-	-	-	1		
3	16124-ZE0-005	SCREW, THROTTLE STOP.....	-	-	-	1		
4	16211-ZE1-000	INSULATOR, CARBURETOR.....	-	-	-	1		
5	16212-ZH8-800	PACKING, INSULATOR.....	-	-	-	1		
6	16220-ZE1-020	SPACER COMP., CARBURETOR.....	-	-	-	1		
7	16221-ZH8-801	PACKING, CARBURETOR.....	-	-	-	1		
8	16610-ZE1-000	LEVER COMP., CHOKE (STD.).....	-	-	-	1		
9	36135-PH3-004	VALVE, DASHPOT CHECK.....	-	-	-	(1)		
10	94305-20122	PIN, SPRING, 2X12.....	-	-	-	1		
11	99204-ZE0-0350	JET SET, PILOT, #35.....	-	-	-	1		

H 10

Air cleaner (1)

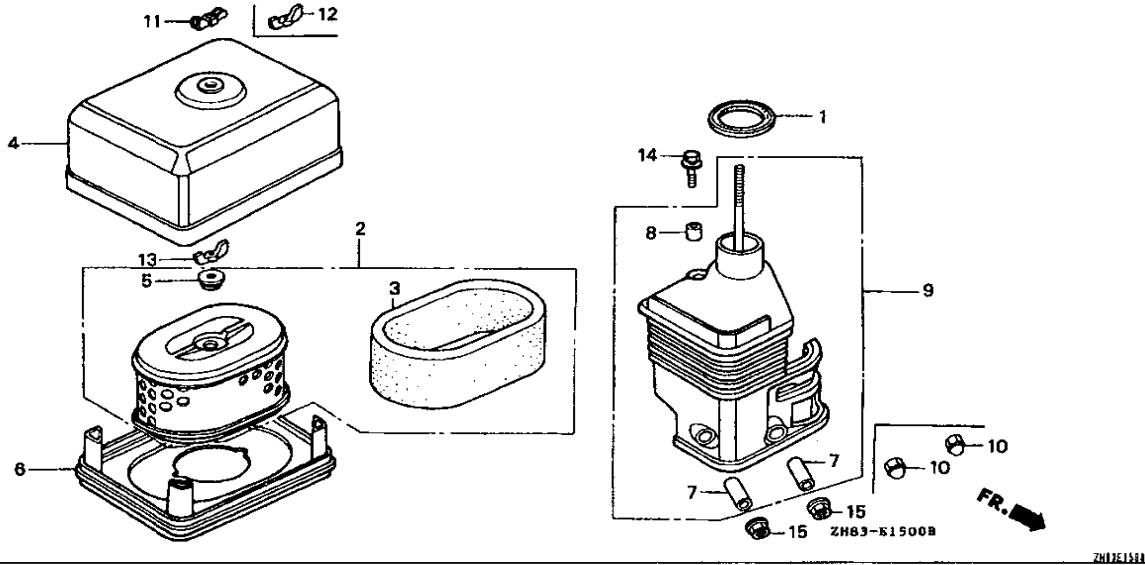
E - 15



Service Item	F.R.T.
ELEMENT, AIR CLEANER.....	0.1
.FILTER, OUTER	
.NOSE, SILENCER	
.ELBOW COMP., AIR CLEANER	

2

Ref. No.	Part No.	Description	Reqd. QTY				Serial No.	Type
			(1)	(2)	(3)	(4)		
1	16271-ZE1-000	PACKING, ELBOW.....	1	(1)	1	1		HH,HHQ4,HH26,HX,HXE,HXE8,HXU,HX26,HX4,H1,KTA,LAX,LH,LHB3 LHQ4,LX,LXU,LX26,LX4,L1,NW,PH,PHM,PHU,PX,PXU,QBT6,QBU2,QE QFE4,QH,QHE,QHP1,QHQ4,QH26,QKA4,QMC8,QMD6,QNT,QNT2,QP,QPU QWA4,QX,QXB,QXB1,QXE,QXE4,QXE6,QXE8,QXU,QXW,QXW2,QX26,QX4 Q1,RH,RHQ4,RH26,RSK,RX,RXE,RXE4,RXU,RX4,R1,SAD2,SE,SH,SHM SHQ4,SMC7,SMC9,SM14,STA,SWG4,SWX,SWZ,SX,SXB,SXE,SXE4,SXS4 SXU,SX4,S1,TH,THU,TX,TXU,TX26,TX4,T1,UH,UX,UXU,U1,VA,VEBM VGE4,VH,VHH4,VHQ4,VIH1,VMB3,VMS4,VS,VSD,VSDP,VSX,VSX1,VSX3 VS1,VTD,VTD1,VTU1,VX,VXE,VXE4,VXE6,VXG,VXM,VXP,VXU,VXU1 VX26,VX4,V1,W1
							4575555	QMH
2	17210-ZE1-822	ELEMENT, AIR CLEANER (DUAL)...	1	(1)	1	1		HH,HHQ4,HH26,HX,HXE,HXE8,HXU,HX26,HX4,H1,KTA,LAX,LH,LHB3 LHQ4,LX,LXU,LX26,LX4,L1,NW,PH,PHM,PHU,PX,PXU,QBT6,QBU2,QE QFE4,QH,QHE,QHP1,QHQ4,QH26,QKA4,QMC8,QMD6,QNT,QNT2,QP,QPU QWA4,QX,QXB,QXB1,QXE,QXE4,QXE6,QXE8,QXU,QXW,QXW2,QX26,QX4 Q1,RH,RHQ4,RH26,RSK,RX,RXE,RXE4,RXU,RX4,R1,SAD2,SE,SH,SHM SHQ4,SMC7,SMC9,SM14,STA,SWG4,SWX,SWZ,SX,SXB,SXE,SXE4,SXS4 SXU,SX4,S1,TH,THU,TX,TXU,TX26,TX4,T1,UH,UX,UXU,U1,VA,VEBM VGE4,VH,VHH4,VHQ4,VIH1,VMB3,VMS4,VS,VSD,VSDP,VSX,VSX1,VSX3 VS1,VTD,VTD1,VTU1,VX,VXE,VXE4,VXE6,VXG,VXM,VXP,VXU,VXU1 VX26,VX4,V1,W1
							4575555	QMH



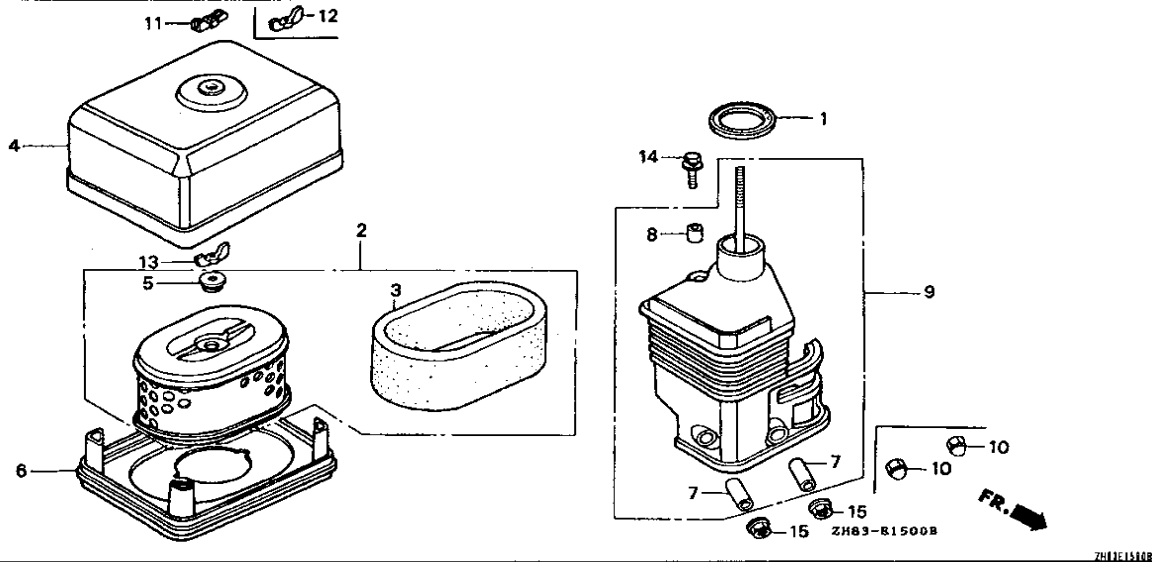
Service Item	F.R.T.

2

Ref. No.	Part No.	Description	Reqd. QTY				Serial No.	Type
			(1)	(2)	(3)	(4)		
3	17218-ZE1-821	FILTER, OUTER.....	1	(1)	1	1	-----	HH,HHQ4,HH26,HX,HXE,HXE8,HXU,HX26,HX4,H1,KTA,LAX,LH,LHB3 LHQ4,LX,LXU,LX26,LX4,L1,NW,PH,PHM,PHU,PX,PXU,QBT6,QBU2,QE QFE4,QH,QHE,QHP1,QHQ4,QH26,QKA4,QMC8,QMD6,QNT,QNT2,QP,QPU QWA4,QX,QXB,QXB1,QXE,QXE4,QXE6,QXE8,QXU,QXW,QXW2,QX26,QX4 Q1,RH,RHQ4,RH26,RSK,RX,RXE,RXE4,RXU,RX4,R1,SAD2,SE,SH,SHM SHQ4,SMC7,SMC9,SM14,STA,SWG4,SWX,SWZ,SX,SXB,SXE,SXE4,SXS4 SXU,SX4,S1,TH,THU,TX,TXU,TX26,TX4,T1,UH,UX,UXU,U1,VA,VEBM VGE4,VH,VHH4,VHQ4,VIH1,VMB3,VMS4,VS,VSD,VSDP,VSX,VSX1,VSX3 VS1,VTD,VTD1,VTU1,VX,VXE,VXE4,VXE6,VXG,VXM,VXP,VXU,VXU1 VX26,VX4,V1,W1
4	17230-ZE1-820	COVER, AIR CLEANER (DUAL).....	1	(1)	1	1	-----	4575555 ----- HH,HHQ4,HH26,HX,HXE,HXE8,HXU,HX26,HX4,H1,KTA,LAX,LH,LHB3 LHQ4,LX,LXU,LX26,LX4,L1,NW,PH,PHM,PHU,PX,PXU,QBT6,QBU2,QE QFE4,QH,QHE,QHP1,QHQ4,QH26,QKA4,QMC8,QMD6,QNT,QNT2,QP,QPU QWA4,QX,QXB,QXB1,QXE,QXE4,QXE6,QXE8,QXU,QXW,QXW2,QX26,QX4 Q1,RH,RHQ4,RH26,RSK,RX,RXE,RXE4,RXU,RX4,R1,SAD2,SE,SH,SHM SHQ4,SMC7,SMC9,SM14,STA,SWG4,SWX,SWZ,SX,SXB,SXE,SXE4,SXS4 SXU,SX4,S1,TH,THU,TX,TXU,TX26,TX4,T1,UH,UX,UXU,U1,VA,VEBM VGE4,VH,VHH4,VHQ4,VIH1,VMB3,VMS4,VS,VSD,VSDP,VSX,VSX1,VSX3 VS1,VTD,VTD1,VTU1,VX,VXE,VXE4,VXE6,VXG,VXM,VXP,VXU,VXU1 VX26,VX4,V1,W1
			1				-----	4575555 ----- QMH

Ref. No.	Part No.	Description	Reqd. QTY				Serial No.	Type	
			GX160K1						
			(1)	(2)	(3)	(4)			
5	17232-891-000	GROMMET, AIR CLEANER.....	1	(1)	1	1	-----	HH,HHQ4,HH26,HX,HXE,HXE8,HXU,HX26,HX4,H1,KTA,LAX,LH,LHB3 LHQ4,LX,LXU,LX26,LX4,L1,NW,PH,PHM,PHU,PX,PXU,QBT6,QBU2,QE QFE4,QH,QHE,QHP1,QHQ4,QH26,QKA4,QMC8,QMD6,QNT,QNT2,QP,QPU QWA4,QX,QXB,QXB1,QXE,QXE4,QXE6,QXE8,QXU,QXW,QXW2,QX26,QX4 Q1,RH,RHQ4,RH26,RSK,RX,RXE,RXE4,RXU,RX4,R1,SAD2,SE,SH,SHM SHQ4,SMC7,SMC9,SM14,STA,SWG4,SWX,SWZ,SX,SBX,SXE,SXE4,SXS4 SXU,SX4,S1,TH,THU,TX,TXU,TX26,TX4,T1,UH,UX,UXU,U1,VA,VEBM VGE4,VH,VHH4,VHQ4,VIH1,VMB3,VMS4,VS,VSD,VSDP,VSX,VSX1,VSX3 VS1,VTD,VTD1,VTU1,VX,VXE,VXE4,VXE6,VXG,VXM,VXP,VXU,VXU1 VX26,VX4,V1,W1	
			1	-	-	-	4575555	-----	QMH
6	17235-ZE1-830	NOSE, SILENCER.....	1	-	-	-	-----	3432720	KTA,QE,QNT,SE,STA,VEBM
			1	-	-	-	-----	3527234	QMC8,QMD6,SMC7,SMC9,SWG4,VMB3
			-	(1)	-	-	-----		H1,L1,R1,T1,U1,W1
			-	(1)	-	-	-----	3433517	Q1,S1,V1
	17235-ZE1-831	.....	1	-	-	-	-----	3432721	KTA,QE,QNT,SE,STA,VEBM
			1	-	-	-	-----		QBU2,QFE4,QNT2,QWA4,SAD2,VMS4
			1	-	-	-	-----	3527235	QMC8,QMD6,SMC7,SMC9,SWG4,VMB3
			-	(1)	-	-	-----	3433518	Q1,S1,V1
7	17238-ZE7-010	COLLAR, AIR CLEANER.....	2	(2)	2	2	-----	HH,HHQ4,HH26,HX,HXE,HXE8,HXU,HX26,HX4,H1,KTA,LAX,LH,LHB3 LHQ4,LX,LXU,LX26,LX4,L1,NW,PH,PHM,PHU,PX,PXU,QBT6,QBU2,QE QFE4,QH,QHE,QHP1,QHQ4,QH26,QKA4,QMC8,QMD6,QNT,QNT2,QP,QPU QWA4,QX,QXB,QXB1,QXE,QXE4,QXE6,QXE8,QXU,QXW,QXW2,QX26,QX4 Q1,RH,RHQ4,RH26,RSK,RX,RXE,RXE4,RXU,RX4,R1,SAD2,SE,SH,SHM SHQ4,SMC7,SMC9,SM14,STA,SWG4,SWX,SWZ,SX,SBX,SXE,SXE4,SXS4 SXU,SX4,S1,TH,THU,TX,TXU,TX26,TX4,T1,UH,UX,UXU,U1,VA,VEBM VGE4,VH,VHH4,VHQ4,VIH1,VMB3,VMS4,VS,VSD,VSDP,VSX,VSX1,VSX3 VS1,VTD,VTD1,VTU1,VX,VXE,VXE4,VXE6,VXG,VXM,VXP,VXU,VXU1 VX26,VX4,V1,W1	
			2	-	-	-	4575555	-----	QMH
8	17239-ZE1-000	COLLAR B, AIR CLEANER.....	1	(1)	1	1	-----	HH,HHQ4,HH26,HX,HXE,HXE8,HXU,HX26,HX4,H1,KTA,LAX,LH,LHB3 LHQ4,LX,LXU,LX26,LX4,L1,NW,PH,PHM,PHU,PX,PXU,QBT6,QBU2,QE QFE4,QH,QHE,QHP1,QHQ4,QH26,QKA4,QMC8,QMD6,QNT,QNT2,QP,QPU QWA4,QX,QXB,QXB1,QXE,QXE4,QXE6,QXE8,QXU,QXW,QXW2,QX26,QX4 Q1,RH,RHQ4,RH26,RSK,RX,RXE,RXE4,RXU,RX4,R1,SAD2,SE,SH,SHM SHQ4,SMC7,SMC9,SM14,STA,SWG4,SWX,SWZ,SX,SBX,SXE,SXE4,SXS4 SXU,SX4,S1,TH,THU,TX,TXU,TX26,TX4,T1,UH,UX,UXU,U1,VA,VEBM VGE4,VH,VHH4,VHQ4,VIH1,VMB3,VMS4,VS,VSD,VSDP,VSX,VSX1,VSX3 VS1,VTD,VTD1,VTU1,VX,VXE,VXE4,VXE6,VXG,VXM,VXP,VXU,VXU1 VX26,VX4,V1,W1	
			1	-	-	-	4575555	-----	QMH
9	17410-ZE1-020	ELBOW COMP., AIR CLEANER.....	1	(1)	1	1	-----	HH,HHQ4,HH26,HX,HXE,HXE8,HXU,HX26,HX4,H1,KTA,LAX,LH,LHB3 LHQ4,LX,LXU,LX26,LX4,L1,NW,PH,PHM,PHU,PX,PXU,QBT6,QBU2,QE QFE4,QH,QHE,QHP1,QHQ4,QH26,QKA4,QMC8,QMD6,QNT,QNT2,QP,QPU QWA4,QX,QXB,QXB1,QXE,QXE4,QXE6,QXE8,QXU,QXW,QXW2,QX26,QX4 Q1,RH,RHQ4,RH26,RSK,RX,RXE,RXE4,RXU,RX4,R1,SAD2,SE,SH,SHM SHQ4,SMC7,SMC9,SM14,STA,SWG4,SWX,SWZ,SX,SBX,SXE,SXE4,SXS4 SXU,SX4,S1,TH,THU,TX,TXU,TX26,TX4,T1,UH,UX,UXU,U1,VA,VEBM VGE4,VH,VHH4,VHQ4,VIH1,VMB3,VMS4,VS,VSD,VSDP,VSX,VSX1,VSX3 VS1,VTD,VTD1,VTU1,VX,VXE,VXE4,VXE6,VXG,VXM,VXP,VXU,VXU1 VX26,VX4,V1,W1	
			1	-	-	-	4575555	-----	QMH
10	90201-415-000	NUT, CAP, 6MM.....	2	2	-	-	-----	2708121	HH,HX,H1,KTA,LH,LX,L1,PH,PX,QE,QH,QHE,QNT,QX,QXB,QXE,QXW,Q1 RH,RX,RXE,R1,SE,SH,STA,SWX,SWZ,SX,SBX,SXE,S1,TH,TX,T1,UH,UX U1,VA,VEBM,VH,VS,VSD,VSX,VSX1,VS1,VX,VXE,V1,W1

2



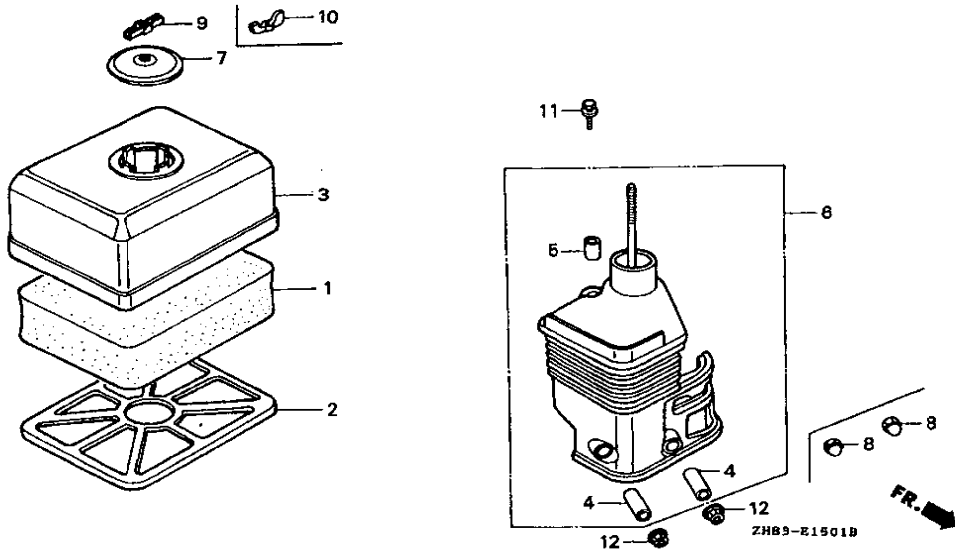
Service	Item	F.R.T.

2

Ref. No.	Part No.	Description	Reqd. QTY				Serial No.	Type	
			(1)	(2)	(3)	(4)			
11	90203-PB2-000	NUT, AIR CLEANER COVER (DACRO COATING)	1	(1)	-	-	2468252	HH, HX, H1, LH, LX, L1, PH, PX, QE, QH, QHE, QNT, QX, QXE, Q1, RH, RX, RXE, R1, SE, SH, STA, SWX, SWZ, SX, SXE, S1, TH, TX, T1, UH, UX, U1, VA, VEBM, VH, VS, VSD, VSX, VX, VXE, V1, W1	
	90203-ZA0-800	NUT, WING, 6MM (BLACK).....	1	(1)	-	-	2468253	2836833	HH, HX, H1, LH, LX, L1, PH, PX, QE, QH, QHE, QNT, QX, QXE, Q1, RH, RX, RXE, R1, SE, SH, STA, SWX, SWZ, SX, SXE, S1, TH, TX, T1, UH, UX, U1, VA, VEBM, VH, VS, VSD, VSX, VX, VXE, V1, W1
12	90325-044-000	NUT, TOOL BOX SETTING.....	1	(1)	-	-	2836834	2836833	KTA, QXB, QXW, RSK, SXB, VSX1, VS1
			1	-	-	-			HH, HX, H1, KTA, LH, LX, L1, PH, PX, QE, QH, QHE, QNT, QX, QXB, QXE, QXW, Q1, RH, RSK, RX, RXE, R1, SE, SH, STA, SWX, SWZ, SX, SXB, SXE, S1, TH, TX, T1, UH, UX, U1, VA, VEBM, VH, VS, VSD, VSX, VSX1, VS1, VX, VXE, V1, W1
			1	-	1	1			HHQ4, HH26, HXE, HXE8, HXU, HX26, HX4, LAX, LHB3, LHQ4, LXU, LX26, LX4, NW, PHM, PHU, PXU, QBT6, QBU2, QFE4, QHP1, QHQ4, QH26, QKA4, QMC8, QMD6, QNT2, QP, QPU, QWA4, QXB1, QXE4, QXE6, QXE8, QXU, QXW2, QX26, QX4, RHQ4, RH26, RXE4, RXU, RX4, SAD2, SHM, SHQ4, SMC7, SMC9, SM14, SWG4, SXE4, SXS4, SXU, SX4, THU, TXU, TX26, TX4, UXU, VGE4, VHH4, VHQ4, VIH1, VMB3, VMS4, VSDP, VSX3, VTD, VTD1, VTU1, VXE4, VXE6, VVG, VXM, VXP, VXU, VXU1, VX26, VX4
			1	-	-	-	4575555		QMH

Ref. No.	Part No.	Description	Reqd. QTY				Serial No.	Type	
			(1)	(2)	(3)	(4)			
13	90325-044-000	NUT, TOOL BOX SETTING.....	1	(1)	1	1	-----	HH,HHQ4,HH26,HX,HXE,HXE8,HXU,HX26,HX4,H1,KTA,LAX,LH,LHB3,LHQ4,LX,LXU,LX26,LX4,L1,NW,PH,PHM,PHU,PX,PXU,QBT6,QBU2,QE,QFE4,QH,QHE,QHP1,QHQ4,QH26,QKA4,QMC8,QMD6,QNT,QNT2,QP,QPU,QWA4,QX,QXB,QXB1,QXE,QXE4,QXE6,QXE8,QXU,QXW,QXW2,QX26,QX4,Q1,RH,RHQ4,RH26,RSK,RX,RXE,RXE4,RXU,RX4,R1,SAD2,SE,SH,SHM,SHQ4,SMC7,SMC9,SM14,STA,SWG4,SWX,SWZ, SX, SXB, SXE, SXS4, SXU, SX4, S1, TH, THU, TX, TXU, TX26, TX4, T1, UH, UX, UXU, U1, VA, VEBM, VGE4, VH, VHH4, VHQ4, VIH1, VMB3, VMS4, VS, VSD, VSDP, VSX, VSX1, VSX3, VS1, VTD, VTD1, VTU1, VX, VXE, VXE4, VXE6, VXG, VXM, VXP, VXU, VXU1, VX26, VX4, V1, W1	
14	93494-06020-08	BOLT-WASHER, 6X20.....	1	(1)	-	-	4575555	-----	QMH
	93404-06020-08	.....	1	-	-	-	3385101	-----	HH,HX,HXU,H1,LH,LX,LXU,L1,PH,PX,PXU,QE,QH,QHE,QX,QXB1,QXE,QXE8,QXU,Q1,RH,RX,RXE,RXU,R1,SE,SH,STA,SWX,SWZ, SX, SXE, SXU, S1, TH, TX, TXU, T1, UH, UX, UXU, U1, VA, VEBM, VH, VS, VSX, VX, VXE, V1, W1
	95701-06020-00	BOLT, FLANGE, 6X20.....	1	-	-	-	3385102	-----	HHQ4, HX4, KTA, LAX, LHQ4, LX4, PHU, QHQ4, QNT, QXB, QXE4, QXW, QX4, RHQ4, RSK, RXE4, RX4, SHQ4, SXB, SXE4, SX4, THU, TX4, VHQ4, VSD, VSX1, VS1, VXE4, VXG, VXU, VX4
			1	-	1	1	-----	-----	HH26,HXE,HXE8,HX26,LHB3,LX26,NW,PHM,QBT6,QBU2,QFE4,QHP1,QH26,QKA4,QMC8,QMD6,QNT2,QP,QPU,QWA4,QXE6,QXW2,QX26,RH26,SAD2,SHM,SMC7,SMC9,SM14,SWG4,SXS4, TX26, VHH4, VIH1, VMB3, VMS4, VSDP, VSX3, VTD, VTD1, VTU1, VXE6, VXM, VXP, VXU1, VX26
15	94050-06000	NUT, FLANGE, 6MM.....	2	2	-	-	2708122	-----	QMH
			2	-	2	2	-----	-----	HH, HX, H1, KTA, LH, LX, L1, PH, PX, QE, QH, QHE, QNT, QX, QXB, QXE, QXW, Q1, RH, RX, RXE, R1, SE, SH, STA, SWX, SWZ, SX, SXB, SXE, S1, TH, TX, T1, UH, UX, U1, VA, VEBM, VH, VS, VSD, VSX, VSX1, VS1, VX, VXE, V1, W1
			2	-	2	2	-----	-----	HHQ4, HH26, HXE, HXE8, HXU, HX26, HX4, LAX, LHB3, LHQ4, LXU, LX26, LX4, NW, PHM, PHU, PXU, QBT6, QBU2, QFE4, QHP1, QHQ4, QH26, QKA4, QMC8, QMD6, QNT2, QP, QPU, QWA4, QXB1, QXE4, QXE6, QXE8, QXU, QXW2, QX26, QX4, RHQ4, RH26, RSK, RXE4, RXU, RX4, SAD2, SHM, SHQ4, SMC7, SMC9, SM14, SWG4, SXE4, SXS4, SXU, SX4, THU, TXU, TX26, TX4, UXU, VGE4, VHH4, VHQ4, VIH1, VMB3, VMS4, VSDP, VSX3, VTD, VTD1, VTU1, VXE4, VXE6, VXG, VXM, VXP, VXU, VXU1, VX26, VX4
			2	-	-	-	4575555	-----	QMH

2



Service Item	F.R.T.
ELEMENT, AIR CLEANER.....	0.1
.ELBOW COMP., AIR CLEANER	

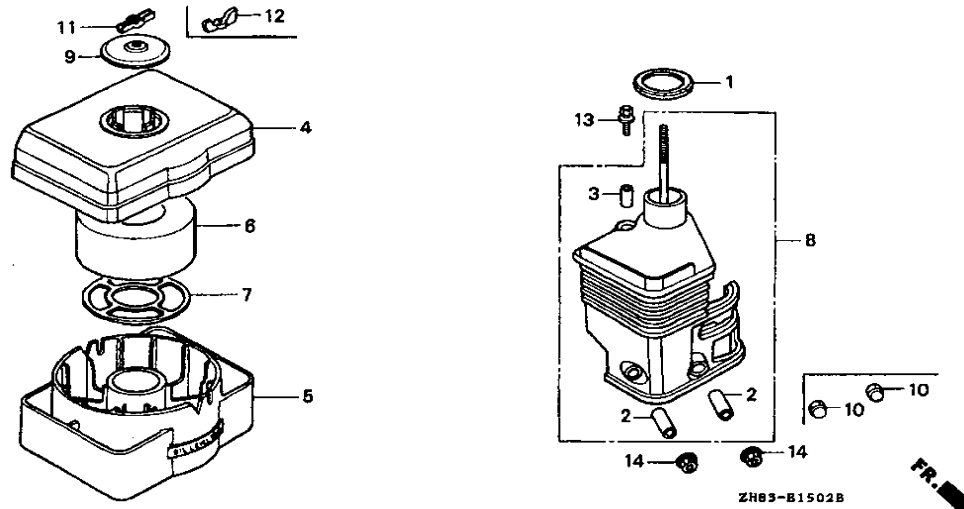
2

Ref. No.	Part No.	Description	Reqd. QTY				Serial No.	Type
			(1)	(2)	(3)	(4)		
1	17211-ZE1-000	ELEMENT, AIR CLEANER (SEMI DRY)	1	(1)	1	-	-----	BIH,EN,ET,ETX,H1,LD,LDB1,LDB3,LDM,LD4,LSJ4,LTA,LVSH,L1,PM PMZ,QD,QM,QMC6,QNZ,QVSH,Q1,RD,RD4,R1,SD,SDB1,SDB3,SDN,SDS SDS2,SD16,SD4,SEE,SHR4,SIH,S1,T1,UIH,U1,VED,VED1,VIH,VVSH V1,WIH1,WKT4,WMB0,WME4,W1
2	17212-ZE1-000	GRID, AIR CLEANER (SEMI DRY)..	1	(1)	1	-	-----	BIH,EN,ET,ETX,H1,LD,LDB1,LDB3,LDM,LD4,LSJ4,LTA,LVSH,L1,PM PMZ,QD,QM,QMC6,QNZ,QVSH,Q1,RD,RD4,R1,SD,SDB1,SDB3,SDN,SDS SDS2,SD16,SD4,SEE,SHR4,SIH,S1,T1,UIH,U1,VED,VED1,VIH,VVSH V1,WIH1,WKT4,WMB0,WME4,W1
3	17231-ZE1-000	COVER, AIR CLEANER (SEMI DRY)..	1	(1)	1	-	-----	BIH,EN,ET,ETX,H1,LD,LDB1,LDB3,LDM,LD4,LSJ4,LTA,LVSH,L1,PM PMZ,QD,QM,QMC6,QNZ,QVSH,Q1,RD,RD4,R1,SD,SDB1,SDB3,SDN,SDS SDS2,SD16,SD4,SEE,SHR4,SIH,S1,T1,UIH,U1,VED,VED1,VIH,VVSH V1,WIH1,WKT4,WMB0,WME4,W1
4	17238-ZE7-010	COLLAR, AIR CLEANER.....	2	(2)	2	-	-----	BIH,EN,ET,ETX,H1,LD,LDB1,LDB3,LDM,LD4,LSJ4,LTA,LVSH,L1,PM PMZ,QD,QM,QMC6,QNZ,QVSH,Q1,RD,RD4,R1,SD,SDB1,SDB3,SDN,SDS SDS2,SD16,SD4,SEE,SHR4,SIH,S1,T1,UIH,U1,VED,VED1,VIH,VVSH V1,WIH1,WKT4,WMB0,WME4,W1
5	17239-ZE1-000	COLLAR B, AIR CLEANER.....	1	(1)	1	-	-----	BIH,EN,ET,ETX,H1,LD,LDB1,LDB3,LDM,LD4,LSJ4,LTA,LVSH,L1,PM PMZ,QD,QM,QMC6,QNZ,QVSH,Q1,RD,RD4,R1,SD,SDB1,SDB3,SDN,SDS SDS2,SD16,SD4,SEE,SHR4,SIH,S1,T1,UIH,U1,VED,VED1,VIH,VVSH V1,WIH1,WKT4,WMB0,WME4,W1
6	17410-ZE1-020	ELBOW COMP., AIR CLEANER.....	1	(1)	1	-	-----	BIH,EN,ET,ETX,H1,LD,LDB1,LDB3,LDM,LD4,LSJ4,LTA,LVSH,L1,PM PMZ,QD,QM,QMC6,QNZ,QVSH,Q1,RD,RD4,R1,SD,SDB1,SDB3,SDN,SDS SDS2,SD16,SD4,SEE,SHR4,SIH,S1,T1,UIH,U1,VED,VED1,VIH,VVSH V1,WIH1,WKT4,WMB0,WME4,W1



Ref. No.	Part No.	Description	Reqd. QTY				Serial No.	Type
			GX160K1					
			(1)	(2)	(3)	(4)		
7	17421-ZE1-000	CAP, CLEANER.....	1	(1)	1	-	-----	BIH,EN,ET,ETX,H1,LD,LDB1,LDB3,LDM,LD4,LSJ4,LTA,LVSH,L1,PM,PMZ,QD,QM,QMC6,QNZ,QVSH,Q1,RD,RD4,R1,SD,SDB1,SDB3,SDN,SDS,SDS2,SD16,SD4,SEE,SHR4,SIH,S1,T1,UIH,U1,VED,VED1,VIH,VVSH,V1,WIH1,WKT4,WMB0,WME4,W1
8	90201-415-000	NUT, CAP, 6MM.....	2	2	-	-	-----	2708121 EN,ET,ETX,H1,LD,LTA,L1,PM,PMZ,QD,QM,Q1,RD,R1,SD,SDS,SEE,S1,T1,U1,VED,VED1,V1,W1
9	90203-PB2-000	NUT, AIR CLEANER COVER (DACRO COATING)	1	(1)	-	-	-----	2468252 EN,ET,ETX,H1,LD,LTA,L1,PM,PMZ,QD,QM,Q1,RD,R1,SD,SDS,SEE,S1,T1,U1,VED,VED1,V1,W1
	90203-ZA0-800	NUT, WING, 6MM (BLACK).....	1	(1)	-	-	2468253	2836833 EN,ET,ETX,H1,LD,LTA,L1,PM,PMZ,QD,QM,Q1,RD,R1,SD,SDS,SEE,S1,T1,U1,VED,VED1,V1,W1
10	90325-044-000	NUT, TOOL BOX SETTING.....	1	-	1	-	-----	-----
			1	(1)	-	-	2836834	-----
			BIH,LDB1,LDB3,LDM,LD4,LSJ4,LVSH,QMC6,QNZ,QVSH,RD4,SDB1,SDB3,SDN,SDS2,SD16,SD4,SHR4,SIH,UIH,VIH,VVSH,WIH1,WKT4,WMB0,WME4					
			EN,ET,ETX,H1,LD,LTA,L1,PM,PMZ,QD,QM,Q1,RD,R1,SD,SDS,SEE,S1,T1,U1,VED,VED1,V1,W1					
11	93494-06020-08	BOLT-WASHER, 6X20.....	1	(1)	1	-	-----	-----
	93404-06020-08	.....	1	-	-	-	3385101	EN,ET,ETX,LD4,QNZ,RD4,SDB1,SD4,VED,VED1
	95701-06020-00	BOLT, FLANGE, 6X20.....	1	-	-	-	3385102	EN,ET,ETX,LD4,QNZ,RD4,SDB1,SD4,VED,VED1
			1	-	1	-	-----	LDB1,LDB3,LDM,LSJ4,LVSH,QMC6,QVSH,SDB3,SDN,SDS2,SD16,SHR4,VIH,VVSH,WIH1,WKT4,WMB0,WME4
12	94050-06000	NUT, FLANGE, 6MM.....	2	-	2	-	-----	-----
			2	2	-	-	2708122	-----
			BIH,LDB1,LDB3,LDM,LD4,LSJ4,LVSH,QMC6,QNZ,QVSH,RD4,SDB1,SDB3,SDN,SDS2,SD16,SD4,SHR4,SIH,UIH,VIH,VVSH,WIH1,WKT4,WMB0,WME4					
			EN,ET,ETX,H1,LD,LTA,L1,PM,PMZ,QD,QM,Q1,RD,R1,SD,SDS,SEE,S1,T1,U1,VED,VED1,V1,W1					

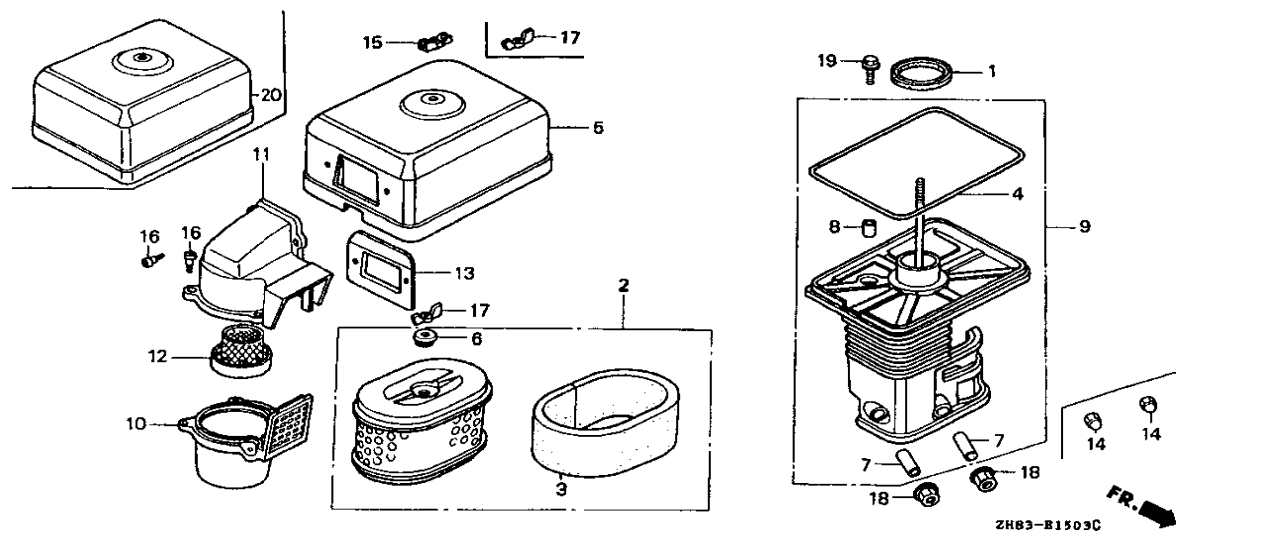
2



Service Item	F.R.T.
PAN, CLEANER OIL.....	0.1
ELEMENT, AIR CLEANER	
ELBOW COMP., AIR CLEANER	

Ref. No.	Part No.	Description	Reqd. QTY				Serial No.	Type
			(1)	(2)	(3)	(4)		
1	16271-ZE1-000	PACKING, ELBOW.....	1	(1)	1		H1,LHW,LWZ,L1,QA,QAB1,QAB3,QA26,QIH1,QME4,QT,Q1,RAC,RMB4,R1 SAC,SDS3,SMB4,S1,T1,U1,V1,W1 QMH	
2	17238-ZE7-010	COLLAR, AIR CLEANER.....	2	(2)	2	4575554	H1,LHW,LWZ,L1,QA,QAB1,QAB3,QA26,QIH1,QME4,QT,Q1,RAC,RMB4,R1 SAC,SDS3,SMB4,S1,T1,U1,V1,W1 QMH	
3	17239-ZE1-000	COLLAR B, AIR CLEANER.....	1	(1)	1	4575554	H1,LHW,LWZ,L1,QA,QAB1,QAB3,QA26,QIH1,QME4,QT,Q1,RAC,RMB4,R1 SAC,SDS3,SMB4,S1,T1,U1,V1,W1 QMH	
4	17401-ZE1-810	BODY, CLEANER (OIL BATH).....	1	(1)	1	4575554	H1,LHW,LWZ,L1,QA,QAB1,QAB3,QA26,QIH1,QME4,QT,Q1,RAC,RMB4,R1 SAC,SDS3,SMB4,S1,T1,U1,V1,W1 QMH	
5	17402-ZE1-810	PAN, CLEANER OIL (OIL BATH)...	1	(1)	1	4575554	H1,LHW,LWZ,L1,QA,QAB1,QAB3,QA26,QIH1,QME4,QT,Q1,RAC,RMB4,R1 SAC,SDS3,SMB4,S1,T1,U1,V1,W1 QMH	
6	17403-ZE1-810	ELEMENT, AIR CLEANER (OIL BATH)	1	(1)	1	4575554	H1,LHW,LWZ,L1,QA,QAB1,QAB3,QA26,QIH1,QME4,QT,Q1,RAC,RMB4,R1 SAC,SDS3,SMB4,S1,T1,U1,V1,W1 QMH	
7	17404-841-000	GRID, AIR CLEANER.....	1	(1)	1	4575554	H1,LHW,LWZ,L1,QA,QAB1,QAB3,QA26,QIH1,QME4,QT,Q1,RAC,RMB4,R1 SAC,SDS3,SMB4,S1,T1,U1,V1,W1 QMH	
8	17410-ZE1-020	ELBOW COMP., AIR CLEANER.....	1	(1)	1	4575554	H1,LHW,LWZ,L1,QA,QAB1,QAB3,QA26,QIH1,QME4,QT,Q1,RAC,RMB4,R1 SAC,SDS3,SMB4,S1,T1,U1,V1,W1 QMH	
9	17421-ZE1-000	CAP, CLEANER.....	1	(1)	1	4575554	H1,LHW,LWZ,L1,QA,QAB1,QAB3,QA26,QIH1,QME4,QT,Q1,RAC,RMB4,R1 SAC,SDS3,SMB4,S1,T1,U1,V1,W1 QMH	

Ref. No.	Part No.	Description	Reqd. QTY				Serial No.	Type
			GX160K1 (1)	(2)	(3)	(4)		
10	90201-415-000	NUT, CAP, 6MM.....	2	2	-	-	2708121	H1,LWZ,L1,QA,QT,Q1,RAC,R1,SAC,S1,T1,U1,V1,W1
11	90203-PB2-000	NUT, AIR CLEANER COVER (DACRO COATING)	1	(1)	-	-	2468252	H1,LWZ,L1,QA,QT,Q1,RAC,R1,SAC,S1,T1,U1,V1,W1
	90203-ZA0-800	NUT, WING, 6MM (BLACK).....	1	(1)	-	-	2468253 2836833	H1,LWZ,L1,QA,QT,Q1,RAC,R1,SAC,S1,T1,U1,V1,W1
12	90325-044-000	NUT, TOOL BOX SETTING.....	1	(1)	-	-	2836834	H1,LWZ,L1,QA,QT,Q1,RAC,R1,SAC,S1,T1,U1,V1,W1
			1	-	1	-		LHW,QAB1,QAB3,QA26,QIH1,QME4,RMB4,SDS3,SMB4
			1	-	-	-	4575554	QMH
13	93494-06020-08	BOLT-WASHER, 6X20.....	1	(1)	-	-		H1,LWZ,L1,QA,QT,Q1,RAC,R1,SAC,S1,T1,U1,V1,W1
	95701-06020-00	BOLT, FLANGE, 6X20.....	1	-	1	-		LHW,QAB1,QAB3,QA26,QIH1,QME4,RMB4,SDS3,SMB4
			1	-	-	-	4575554	QMH
14	94050-06000	NUT, FLANGE, 6MM.....	2	2	-	-	2708122	H1,LWZ,L1,QA,QT,Q1,RAC,R1,SAC,S1,T1,U1,V1,W1
			2	-	2	-		LHW,QAB1,QAB3,QA26,QIH1,QME4,RMB4,SDS3,SMB4
			2	-	-	-	4575554	QMH



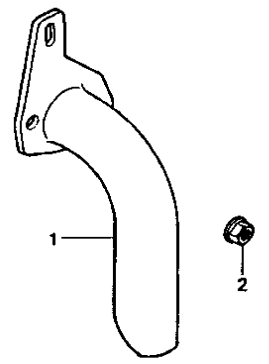
Service Item	F.R.T.
ELEMENT, AIR CLEANER.....	0.1
.FILTER, OUTER	
.PACKING, AIR CLEANER COVER	
.ELBOW COMP., AIR CLEANER	
.CASE, PRE AIR CLEANER	
.CAP, PRE AIR CLEANER	
.GUIDE, PRE AIR CLEANER	

ZHB3-R1503C ZHEISSIC

2

Ref. No.	Part No.	Description	Reqd. QTY				Serial No.	Type
			GX160K1 (1)	(2)	(3)	(4)		
1	16271-ZE1-000	PACKING, ELBOW.....	1	(1)	-	-	-	H1,LSS4,L1,QNT4,QXC6,Q1,REX4,R1,S1,T1,U1,V1,W1
2	17210-ZE1-822	ELEMENT, AIR CLEANER (DUAL)...	1	(1)	-	-	-	H1,LSS4,L1,QNT4,QXC6,Q1,REX4,R1,S1,T1,U1,V1,W1
3	17218-ZE1-821	FILTER, OUTER.....	1	(1)	-	-	-	H1,LSS4,L1,QNT4,QXC6,Q1,REX4,R1,S1,T1,U1,V1,W1
4	17219-733-010	PACKING, AIR CLEANER COVER....	1	(1)	-	-	-	H1,LSS4,L1,QNT4,QXC6,Q1,REX4,R1,S1,T1,U1,V1,W1
5	17230-ZE1-841	COVER, AIR CLEANER (DUAL).....	1	(1)	-	-	-	H1,LSS4,L1,QNT4,QXC6,Q1,R1,S1,T1,U1,V1,W1
6	17232-891-000	GROMMET, AIR CLEANER.....	1	(1)	-	-	-	H1,LSS4,L1,QNT4,QXC6,Q1,REX4,R1,S1,T1,U1,V1,W1
7	17238-ZE7-010	COLLAR, AIR CLEANER.....	2	(2)	-	-	-	H1,LSS4,L1,QNT4,QXC6,Q1,REX4,R1,S1,T1,U1,V1,W1
8	17239-733-000	COLLAR B, AIR CLEANER.....	1	(1)	-	-	-	H1,LSS4,L1,QNT4,QXC6,Q1,REX4,R1,S1,T1,U1,V1,W1
9	17410-ZE1-840	ELBOW COMP., AIR CLEANER.....	1	(1)	-	-	-	H1,LSS4,L1,QNT4,QXC6,Q1,REX4,R1,S1,T1,U1,V1,W1
10	17470-ZE1-841	CASE, PRE AIR CLEANER.....	1	(1)	-	-	-	H1,LSS4,L1,QNT4,QXC6,Q1,R1,S1,T1,U1,V1,W1
11	17475-ZE1-841	CAP, PRE AIR CLEANER.....	1	(1)	-	-	-	H1,LSS4,L1,QNT4,QXC6,Q1,R1,S1,T1,U1,V1,W1
12	17476-ZE1-841	GUIDE, PRE AIR CLEANER.....	1	(1)	-	-	-	H1,LSS4,L1,QNT4,QXC6,Q1,R1,S1,T1,U1,V1,W1
13	17478-ZE1-841	PLATE, PRE AIR CLEANER.....	1	(1)	-	-	-	H1,LSS4,L1,QNT4,QXC6,Q1,R1,S1,T1,U1,V1,W1
14	90201-415-000	NUT, CAP, 6MM.....	-	2	-	-	2708121	
15	90203-PB2-000	NUT, AIR CLEANER COVER (DACRO COATING)	-	(1)	-	-	2468252	
	90203-ZA0-800	NUT, WING, 6MM (BLACK).....	-	(1)	-	-	2468253 2836833	
16	90300-GB0-900	BOLT, MUDGUARD.....	5	(5)	-	-	-	H1,LSS4,L1,QNT4,QXC6,Q1,R1,S1,T1,U1,V1,W1
17	90325-044-000	NUT, TOOL BOX SETTING.....	2	-	-	-	-	LSS4,QNT4,QXC6,REX4
			-	(2)	-	-	2836834	
18	94050-06000	NUT, FLANGE, 6MM.....	2	-	-	-	-	LSS4,QNT4,QXC6,REX4
			-	2	-	-	2708122	
19	95701-06020-00	BOLT, FLANGE, 6X20.....	1	(1)	-	-	-	H1,LSS4,L1,QNT4,QXC6,Q1,REX4,R1,S1,T1,U1,V1,W1
20	17230-ZE1-820	COVER, AIR CLEANER (DUAL).....	1	-	-	-	-	REX4

Service Item	F.R.T.
PIPE COMP., AIR INTAKE.....	0.1



ZH03-B1504A

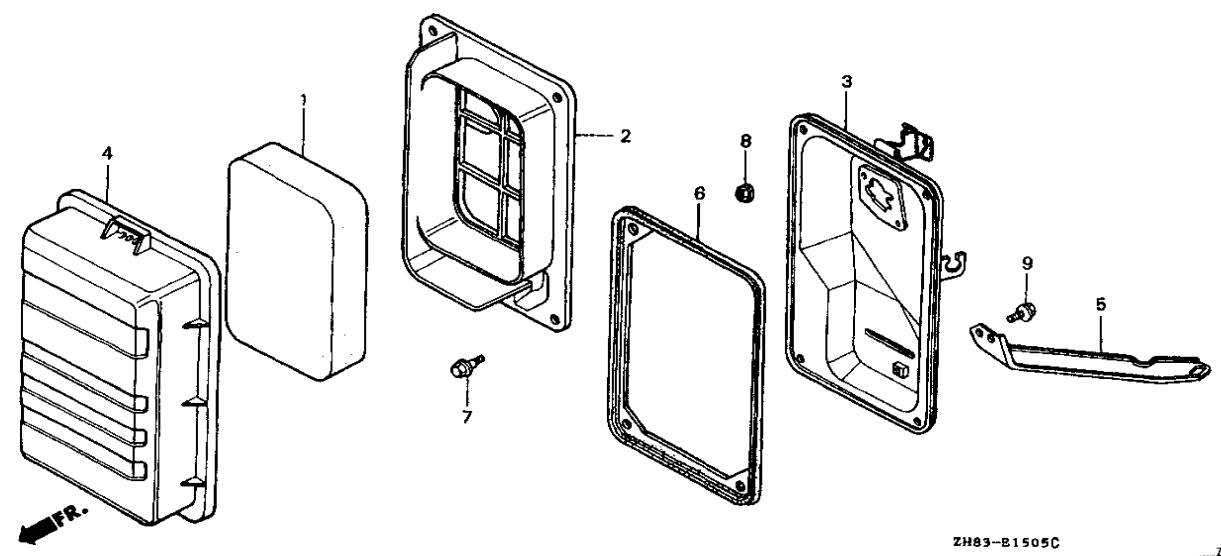


ZH03-B1504A

2

Ref. No.	Part No.	Description	Reqd. QTY				Serial No.	Type
			(1)	(2)	(3)	(4)		
1	17201-ZF1-900	PIPE COMP., AIR INTAKE.....	1	-	-	-	-----	QZ
2	94050-06000	NUT, FLANGE, 6MM.....	2	-	-	-	-----	QZ

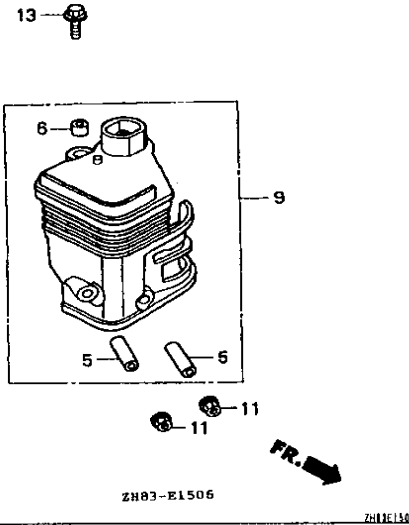
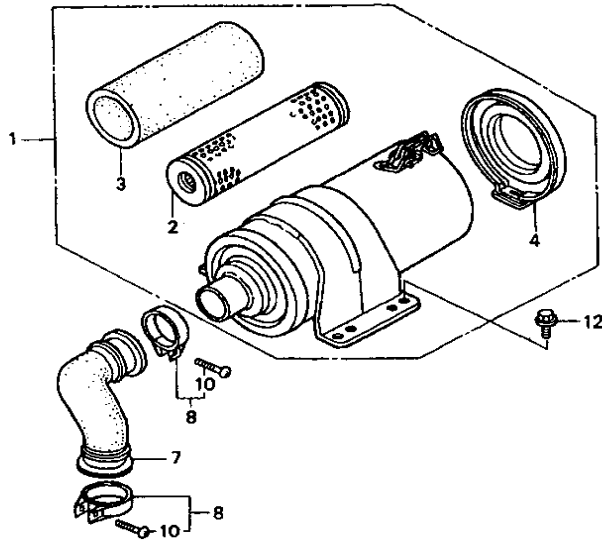
Air cleaner (6)



Service Item	F.R.T.
ELEMENT, AIR CLEANER.....	0.1
.SEPARATOR, AIR CLEANER	
.SEAL, AIR CLEANER	
CASE COMP., AIR CLEANER.....	0.2

2

Ref. No.	Part No.	Description	Reqd. QTY				Serial No.	Type
			GX160K1					
			(1)	(2)	(3)	(4)		
1	17211-ZB2-000	ELEMENT, AIR CLEANER.....	1	-	-	-	VED2,VED3,VMT,VPM4,VPR4,VS	VED2,VED3,VMT,VPM4,VPR4,VS
2	17212-ZB2-000	SEPARATOR, AIR CLEANER.....	1	-	-	-	VED2,VED3,VMT,VPM4,VPR4,VS	VED2,VED3,VMT,VPM4,VPR4,VS
3	17220-ZB2-000	CASE COMP., AIR CLEANER.....	1	-	-	-	VED2,VED3,VMT,VPM4,VPR4,VS	VED2,VED3,VMT,VPM4,VPR4,VS
4	17231-ZB2-000	COVER, AIR CLEANER.....	1	-	-	-	VED2,VED3,VMT,VPM4,VPR4,VS	VED2,VED3,VMT,VPM4,VPR4,VS
5	17239-ZB2-000	STAY, AIR CLEANER.....	1	-	-	-	VED2,VED3,VMT,VPM4,VPR4,VS	VED2,VED3,VMT,VPM4,VPR4,VS
6	17252-ZB2-000	SEAL, AIR CLEANER.....	1	-	-	-	VED2,VED3,VMT,VPM4,VPR4,VS	VED2,VED3,VMT,VPM4,VPR4,VS
7	90115-459-770	BOLT, WINKER SETTING.....	4	-	-	-	VED2,VED3,VMT,VPM4,VPR4,VS	VED2,VED3,VMT,VPM4,VPR4,VS
8	94050-06080	NUT, FLANGE, 6MM.....	2	-	-	-	VED2,VED3,VMT,VPM4,VPR4,VS	VED2,VED3,VMT,VPM4,VPR4,VS
9	95701-06010-00	BOLT, FLANGE, 6X10.....	1	-	-	-	VED2,VED3,VMT,VPM4,VPR4,VS	VED2,VED3,VMT,VPM4,VPR4,VS

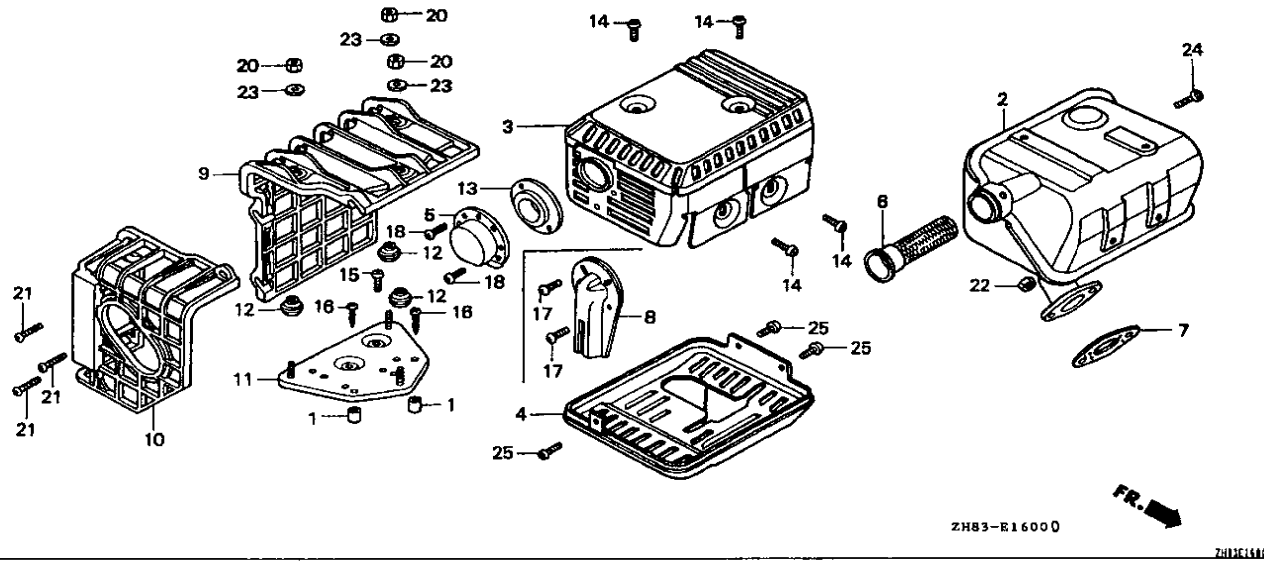


Service Item F.R.T.

CLEANER ASSY., AIR..... 0.1  
 .ELEMENT COMP., AIR CLEANER  
 .FILTER, OUTER  
 .TUBE, AIR CLEANER CONNECTING  
 .ELBOW COMP., AIR CLEANER

Ref. No.	Part No.	Description	Reqd. QTY				Serial No.	Type
			(1)	(2)	(3)	(4)		
1	17200-ZK7-V01	CLEANER ASSY., AIR.....	1	-	-	-	ARC6	
2	17210-ZK7-V01	ELEMENT COMP., AIR CLEANER....	1	-	-	-	ARC6	
3	17218-ZK7-V01	FILTER, OUTER.....	1	-	-	-	ARC6	
4	17230-ZK7-V01	COVER COMP., AIR CLEANER.....	1	-	-	-	ARC6	
5	17238-ZE7-010	COLLAR, AIR CLEANER.....	2	-	-	-	ARC6	
6	17239-ZE1-000	COLLAR B, AIR CLEANER.....	1	-	-	-	ARC6	
7	17251-ZE0-S10	TUBE, AIR CLEANER CONNECTING..	1	-	-	-	ARC6	
8	17255-758-000	BAND, AIR CLEANER CONNECTING TUBE	2	-	-	-	ARC6	
9	17410-ZE1-P30	ELBOW COMP., AIR CLEANER.....	1	-	-	-	ARC6	
10	93500-04020-0A	SCREW, PAN, 4X20.....	2	-	-	-	ARC6	
11	94050-06000	NUT, FLANGE, 6MM.....	2	-	-	-	ARC6	
12	95701-06016-00	BOLT, FLANGE, 6X16.....	2	-	-	-	ARC6	
13	95701-06020-00	BOLT, FLANGE, 6X20.....	1	-	-	-	ARC6	

Muffler (1)



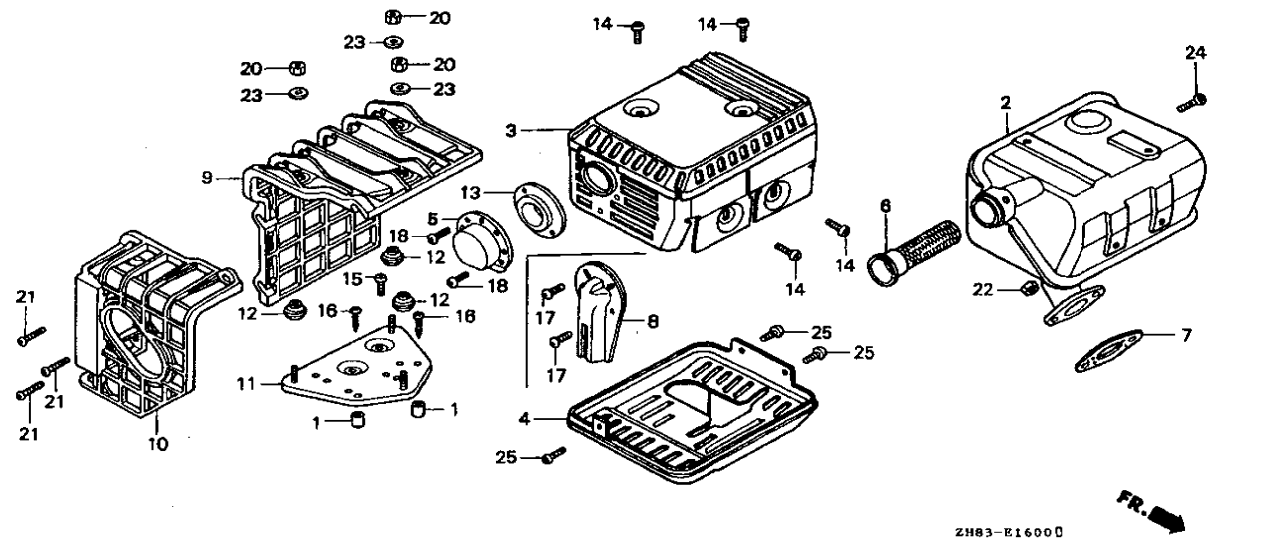
Service Item	F.R.T.
MUFFLER COMP.....	0.2
.PROTECTOR, MUFFLER	
.PROTECTOR, UPPER	
.PROTECTOR, LOWER	
.ARRESTER, SPARK	
.GASKET, MUFFLER	
.BASE COMP., MUFFLER COVER	
DEFLECTOR COMP.....	0.1
.COVER COMP., MUFFLER	
.COVER COMP., MUFFLER RR.	

Ref. No.	Part No.	Description	Reqd. QTY				Serial No.	Type
			(1)	(2)	(3)	(4)		
1	17233-896-701	COLLAR, AIR CLEANER CASE.....	(2)	-	-	(2)	HHQ4, HX4, LD4, LHQ4, LSJ4, LX4, QHQ4, QKA4, QMC6, QME4, QNT4, QXE4, QX4, RD4, REX4, RHQ4, RMB4, RXE4, RX4, SD4, SHQ4, SMB4, SM14, SWG4, SXE4, SXS4, SX4, TX4, VHH4, VHQ4, VSDP, VXE4, VX4, WKT4, WMBO, QNT, QXW, RSK, SDS, VSD, VXG	
2	18310-ZF1-000	MUFFLER COMP.....	1	(1)	1	1	3244960 BIH, EN, ET, ETX, HH, HHQ4, HH26, HX, HXE, HXE8, HXU, HX26, HX4, H1, LAX, LD, LDB1, LDB3, LDM, LD4, LH, LHB3, LHQ4, LHW, LSJ4, LSS4, LTA, LVSH, LWZ, LX, LXU, LX26, LX4, L1, NW, PH, PHM, PM, PMZ, PX, PXU, QBT6, QD, QH, QHE, QHP1, QHQ4, QH26, QIH1, QM, QMC6, QME4, QMH, QP, QPU, QT, QVSH, QX, QXB, QXB1, QXE, QXE4, QXE6, QXE8, QXU, QXW, QXW2, QX26, QX4, Q1, RAC, RD4, RH, RHQ4, RH26, RMB4, RSK, RX, RXE, RXE4, RXU, RX4, R1, SAC, SD, SDB1, SDB3, SDN, SDS, SDS2, SDS3, SD16, SD4, SEE, SH, SHM, SHQ4, SHR4, SIH, SMB4, SM14, STA, SWX, SWZ, SX, SXB, SXE, SXE4, SXU, SX4, S1, TH, TX, TXU, TX26, TX4, T1, UH, UIH, UX, UXU, U1, VED, VH, VHH4, VHQ4, VIH, VIH1, VS, VSD, VSDP, VS1, VTU1, VVSH, VX, VXE, VXE4, VXE6, VXG, VXM, VXP, VXU, VX26, VX4, V1, WIH1, WMBO, WME4, W1	
	18310-ZH8-810	MUFFLER COMP. (ARRESTER).....	(1)	(1)	-	(1)	HX, HXE, HXE8, HXU, HX26, HX4, H1, LAX, LX, LXU, LX26, LX4, L1, PX, PXU, QBT6, QBU2, QKA4, QX, QXB, QXB1, QXE, QXE4, QXE6, QXE8, QXU, QXW, QXW2, QX26, QX4, Q1, RH, RHQ4, RH26, RSK, R1, SAD2, S1, TX, TXU, TX26, TX4, T1, U1, VGE4, VHH4, VPM4, VPR4, VSD, VSDP, VSX3, VTD, VTD1, VTU1, VX, VXG, VXM, VXP, VXU, VXU1, VX26, VX4, V1, W1	
			1	-	-	-	KTA, PHU, QA, QAB1, QAB3, QA26, QNT, QNT2, QNT4, SXS4, THU, VA, VED1, WKT4	
	18310-ZE1-900	MUFFLER COMP.....	-	(1)	-	-		
3	18321-ZH8-000	PROTECTOR, UPPER.....	1	(1)	-	-	2081153 HH, HX, H1, LD, LH, LTA, LWZ, LX, L1, PH, PM, PMZ, PX, QA, QD, QH, QHE, QM, QT, QX, QXE, Q1, RAC, RD, RH, RX, RXE, R1, SAC, SD, SDS, SEE, SH, STA, SWX, SWZ, SX, SXE, S1, TH, TX, T1, UH, UX, U1, VA, VED, VED1, VH, VS, VX, VXE, V1, W1	
			1	-	-	-	VED2	



Ref. No.	Part No.	Description	Reqd. QTY				Serial No.	Type	
			GX160K1 (1)	(2)	(3)	(4)			
(3)	18320-ZF1-H00	PROTECTOR, MUFFLER (STD.).....	1	-	-	-	3244959	EN,ET,ETX,KTA,LAX,PHU,QNT,QXB,QXW,RSK,SXB,THU,VSD,VS1,VXG VXU	
			1	(1)	-	-	2081154	3244959	HH,HX,LD,LH,LTA,LWZ,LX,L1,PH,PM,PMZ,PX,QA,QD,QH,QHE,QM,QT QX,QXE,Q1,RAC,RD,RH,RX,RXE,R1,SAC,SD,SDS,SEE,SH,STA,SWX,SWZ SX,SXE,S1,TH,TX,T1,UH,UX,VA,VED,VED1,VH,VS,VX,VXE,V1,W1 H1,U1
	18320-ZE1-000	PROTECTOR, UPPER.....	-	(1)	-	-	2081154	-----	
	18320-ZF1-H00	PROTECTOR, MUFFLER (STD.).....	-	(1)	-	-	2933995	-----	2933995
			-	(1)	-	-	2933996	-----	3244959
	18320-ZF1-H01	.....	1	(1)	-	-	3244960	-----	
			1	-	-	1	-----		
							-----		
	18320-ZE1-T02	PROTECTOR, UPPER (CHROME).....	-	-	1	-	-----		
4	18325-ZE1-010	PROTECTOR, LOWER.....	1	(1)	-	-	-----		
5	18340-ZE1-010	DEFLECTOR COMP.....	1	(1)	1	-	-----		
6	18355-ZE1-000	ARRESTER, SPARK.....	(1)	(1)	-	(1)	-----		
			1	-	-	-	-----		
7	18381-ZH8-000	GASKET, MUFFLER.....	1	(1)	-	-	-----	2404157	
	18381-ZH8-800	.....	1	-	1	1	-----		
			1	(1)	-	-	-----	2404158	
8	18431-ZH8-W50	DEFLECTOR, MUFFLER.....	(1)	-	-	-	-----		
			(1)	-	-	-	-----	3244960	
9	18433-ZH8-W40	COVER COMP., MUFFLER.....	(1)	-	-	(1)	-----		
			(1)	-	-	-	-----	3244960	

2



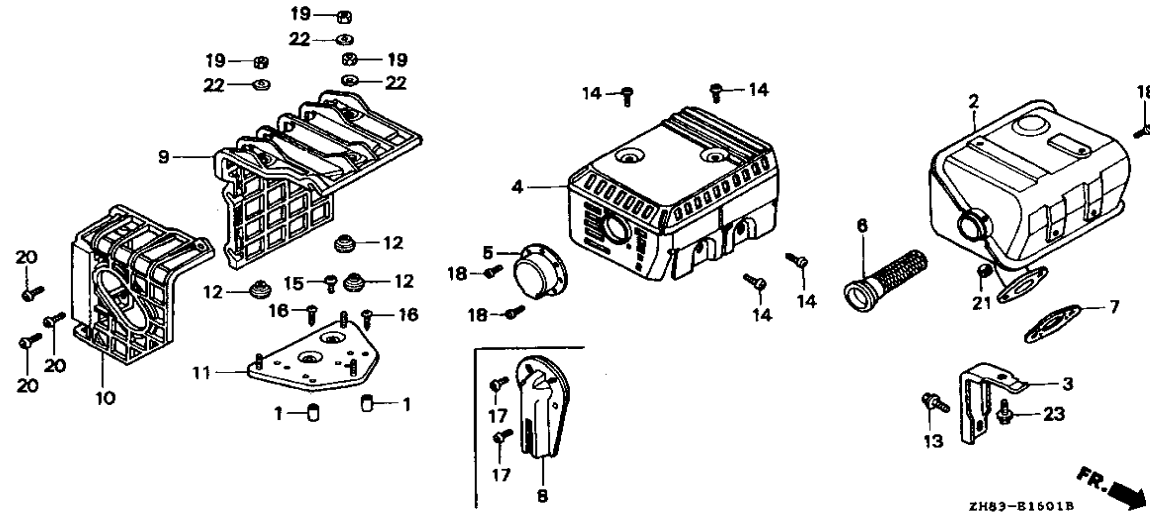
Service Item	F.R.T.

Ref. No.	Part No.	Description	Reqd. QTY				Serial No.	Type
			(1)	(2)	(3)	(4)		
10	18434-ZH8-W40	COVER COMP., MUFFLER RR.....	(1)	-	-	(1)	-----	HHQ4, HX4, LD4, LHQ4, LSJ4, LX4, QHQ4, QKA4, QMC6, QME4, QNT4, QXE4, QX4, RD4, REX4, RHQ4, RMB4, RXE4, RX4, SD4, SHQ4, SMB4, SM14, SWG4, SXE4, SXS4, SX4, TX4, VHH4, VHQ4, VSDP, VXE4, VX4, WKT4, WMBO, QNT, QXW, RSK, SDS, VSD, VXG
11	18436-ZH8-W40	BASE COMP., MUFFLER COVER.....	(1)	-	-	(1)	-----	HHQ4, HX4, LD4, LHQ4, LSJ4, LX4, QHQ4, QKA4, QMC6, QME4, QNT4, QXE4, QX4, RD4, REX4, RHQ4, RMB4, RXE4, RX4, SD4, SHQ4, SMB4, SM14, SWG4, SXE4, SXS4, SX4, TX4, VHH4, VHQ4, VSDP, VXE4, VX4, WKT4, WMBO, QNT, QXW, RSK, SDS, VSD, VXG
12	18466-ZH8-W40	SPACER, MUFFLER COVER.....	(3)	-	-	(3)	-----	HHQ4, HX4, LD4, LHQ4, LSJ4, LX4, QHQ4, QKA4, QMC6, QME4, QNT4, QXE4, QX4, RD4, REX4, RHQ4, RMB4, RXE4, RX4, SD4, SHQ4, SMB4, SM14, SWG4, SXE4, SXS4, SX4, TX4, VHH4, VHQ4, VSDP, VXE4, VX4, WKT4, WMBO, QNT, QXW, RSK, SDS, VSD, VXG
13	18522-ZE1-000	GUIDE, MUFFLER.....	1	(1)	1	-	-----	H1, KTA, LHW, LSJ4, LSS4, LWZ, L1, PHU, QA, QAB1, QAB3, QA26, QBT6, QIH1, QMC6, QMH, QNT, QNT2, QNT4, QP, QPU, QT, Q1, RMB4, R1, SDS, SEE, SHM, SMB4, SM14, STA, SWX, SWZ, SXS4, S1, THU, T1, U1, V1, W1
14	90050-ZE1-000	SCREW, TAPPING, 5X8.....	4	(4)	4	4	-----	BIH, EN, ET, ETX, HH, HHQ4, HH26, HX, HXE, HXE8, HXU, HX26, HX4, H1, KTA, LAX, LD, LDB1, LDB3, LDM, LD4, LH, LHB3, LHQ4, LHW, LSJ4, LSS4, LTA, LVSH, LWZ, LX, LXU, LX26, LX4, L1, NW, PH, PHM, PHU, PM, PMZ, PX, PXU, QA, QAB1, QAB3, QA26, QBT6, QD, QH, QHE, QHP1, QHQ4, QH26, QIH1, QM, QMC6, QME4, QMH, QNT, QNT2, QNT4, QP, QPU, QT, QVSH, QX, QXB, QXB1, QXE, QXE4, QXE6, QXE8, QXU, QXW, QXW2, QX26, QX4, Q1, RAC, RD, RD4, RH, RHQ4, RH26, RMB4, RSK, RX, RXE, RXE4, RXU, RX4, R1, SAC, SD, SDB1, SDB3, SDN, SDS, SDS2, SDS3, SD16, SD4, SEE, SH, SHM, SHQ4, SHR4, SIH, SMB4, SM14, VXU1, VX26, VX4, V1, WIH1, WKT4, WMBO, WME4, W1
15	90050-ZE1-000	SCREW, TAPPING, 5X8.....	(1)	-	-	(1)	-----	HHQ4, HX4, LD4, LHQ4, LSJ4, LX4, QHQ4, QKA4, QMC6, QME4, QNT4, QXE4, QX4, RD4, REX4, RHQ4, RMB4, RXE4, RX4, SD4, SHQ4, SMB4, SM14, SWG4, SXE4, SXS4, SX4, TX4, VHH4, VHQ4, VSDP, VXE4, VX4, WKT4, WMBO, QNT, QXW, RSK, SDS, VSD, VXG

2

Ref. No.	Part No.	Description	Reqd. QTY				Serial No.	Type	
			GX160K1						
			(1)	(2)	(3)	(4)			
16	90050-ZH8-W40	SCREW, TAPPING, 5X25.....	(2)	-	-	(2)	-----	HHQ4, HX4, LD4, LHQ4, LJSJ4, LX4, QHQ4, QKA4, QMC6, QME4, QNT4, QXE4 QX4, RD4, REX4, RHQ4, RMB4, RXE4, RX4, SD4, SHQ4, SMB4, SM14, SWG4 SXE4, SXS4, SX4, TX4, VHH4, VHQ4, VSDP, VXE4, VX4, WKT4, WMBO	
			(2)	-	-	-	3244960	-----	QNT, QXW, RSK, SDS, VSD, VXG
17	90055-ZE1-000	SCREW, TAPPING, 4X6.....	(2)	-	-	-	-----	QMC6, QNT4, RMB4, SMB4, SXS4	
			(2)	-	-	-	3244960	-----	QNT, SDS
18	90055-ZE1-000	SCREW, TAPPING, 4X6.....	2	(2)	-	-	-----	2671947	H1, KTA, LWZ, L1, QA, QNT, QT, Q1, R1, SDS, SEE, STA, SWX, SWZ, S1, T1, U1 V1, W1
	90002-ZG0-003	SCREW, TAPPING, 4X8.....	2	(2)	-	-	-----	2671948	H1, KTA, LWZ, L1, QA, QNT, QT, Q1, R1, SDS, SEE, STA, SWX, SWZ, S1, T1, U1 V1, W1
			2	-	2	-	-----		LHW, LJSJ4, LSS4, PHU, QAB1, QAB3, QA26, QBT6, QIH1, QMC6, QMH, QNT2 QNT4, QP, QPU, RMB4, SHM, SMB4, SM14, SXS4, THU
20	90302-KF9-900	NUT, HEX., 5MM.....	(3)	-	-	(3)	-----		HHQ4, HX4, LD4, LHQ4, LJSJ4, LX4, QHQ4, QKA4, QMC6, QME4, QNT4, QXE4 QX4, RD4, REX4, RHQ4, RMB4, RXE4, RX4, SD4, SHQ4, SMB4, SM14, SWG4 SXE4, SXS4, SX4, TX4, VHH4, VHQ4, VSDP, VXE4, VX4, WKT4, WMBO
			(3)	-	-	-	3244960	-----	QNT, QXW, RSK, SDS, VSD, VXG
21	93891-06020-07	SCREW-WASHER, 6X20.....	(3)	-	-	(3)	-----		HHQ4, HX4, LD4, LHQ4, LJSJ4, LX4, QHQ4, QKA4, QMC6, QME4, QNT4, QXE4 QX4, RD4, REX4, RHQ4, RMB4, RXE4, RX4, SD4, SHQ4, SMB4, SM14, SWG4 SXE4, SXS4, SX4, TX4, VHH4, VHQ4, VSDP, VXE4, VX4, WKT4, WMBO
			(3)	-	-	-	3244960	-----	QNT, QXW, RSK, SDS, VSD, VXG
22	94001-08000-0S	NUT, HEX., 8MM.....	2	2	2	2	-----		BIH, EN, ET, ETX, HH, HHQ4, HH26, HX, HXE, HXE8, HXU, HX26, HX4, H1, KTA LAX, LD, LDB1, LDB3, LDM, LD4, LH, LHB3, LHQ4, LHW, LJSJ4, LSS4, LTA LVSH, LWZ, LX, LXU, LX26, LX4, L1, NW, PH, PHM, PHU, PM, PMZ, PX, PXU, QA QAB1, QAB3, QA26, QBT6, QD, QH, QHE, QHP1, QHQ4, QH26, QIH1, QKA4, QM QMC6, QME4, QMH, QNT, QNT2, QNT4, QP, QPU, QT, QVSH, QX, QXB, QXB1, QXE QXE4, QXE6, QXE8, QXU, QXW, QXW2, QX26, QX4, Q1, RAC, RD, RD4, REX4, RH RHQ4, RH26, RMB4, RSK, RX, RXE, RXE4, RXU, RX4, R1, SAC, SD, SDB1, SDB3 SDN, SDS, SDS2, SDS3, SD16, SD4, SEE, SH, SHM, SHQ4, SHR4, SIH, VXG, VXM VXP, VXU, VXU1, VX26, VX4, V1, WIH1, WKT4, WMBO, WME4, W1
23	94103-05700	WASHER, PLAIN, 5MM.....	(3)	-	-	(3)	-----		HHQ4, HX4, LD4, LHQ4, LJSJ4, LX4, QHQ4, QKA4, QMC6, QME4, QNT4, QXE4 QX4, RD4, REX4, RHQ4, RMB4, RXE4, RX4, SD4, SHQ4, SMB4, SM14, SWG4 SXE4, SXS4, SX4, TX4, VHH4, VHQ4, VSDP, VXE4, VX4, WKT4, WMBO
			(3)	-	-	-	3244960	-----	QNT, QXW, RSK, SDS, VSD, VXG
24	90055-ZE1-000	SCREW, TAPPING, 4X6.....	(1)	(1)	-	(1)	-----		HX, HXE, HXE8, HXU, HX26, HX4, H1, LAX, LX, LXU, LX26, LX4, L1, PX, PXU QBT6, QBU2, QKA4, QX, QXB, QXB1, QXE, QXE4, QXE6, QXE8, QXU, QXW, QXW2 QX26, QX4, Q1, RH, RHQ4, RH26, RSK, R1, SAD2, S1, TX, TXU, TX26, TX4, T1 U1, VGE4, VHH4, VPM4, VPR4, VSD, VSDP, VSX3, VTD, VTD1, VTU1, VX, VXG VXM, VXP, VXU, VXU1, VX26, VX4, V1, W1
			1	-	-	-	-----		KTA, PHU, QA, QAB1, QAB3, QA26, QNT, QNT2, QNT4, SXS4, THU, VA, VED1 WKT4
25	90055-ZE1-000	SCREW, TAPPING, 4X6.....	3	(3)	-	-	-----		H1, LHW, LSS4, L1, NW, Q1, R1, SHR4, STA, S1, T1, U1, V1, W1

2



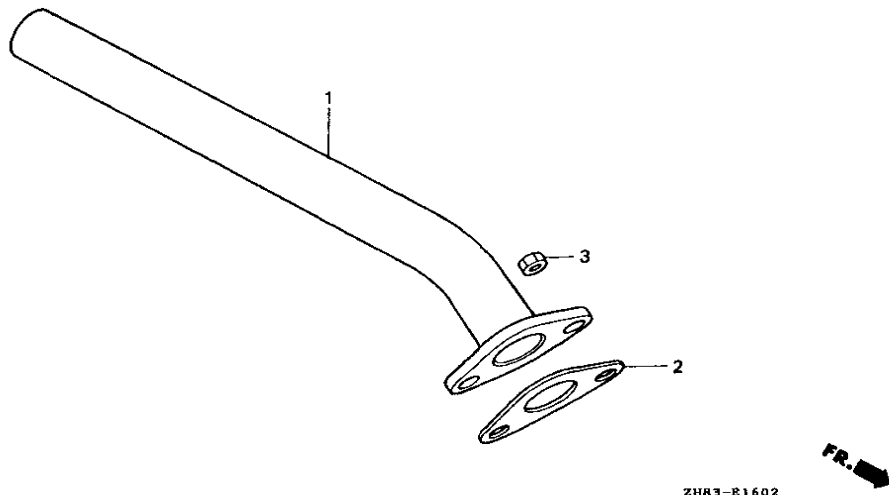
Service Item	F.R.T.
MUFFLER COMP.....	0.2
.PROTECTOR, MUFFLER	
.ARRESTER, SPARK	
.GASKET, MUFFLER	
.BASE COMP., MUFFLER COVER	
COVER COMP., MUFFLER.....	0.1
.COVER COMP., MUFFLER RR.	

ZH83-B1601B

Ref. No.	Part No.	Description	Reqd. QTY				Serial No.	Type
			(1)	(2)	(3)	(4)		
1	17233-896-701	COLLAR, AIR CLEANER CASE.....	(2)	-	-	-	3240676	QE, SE
2	18310-ZE1-821	MUFFLER COMP. (SILENT).....	1	(1)	-	-		QFE4, QMC8, QMD6, QWA4, SMC7, SMC9, VMB3, VMS4 H1, L1, QBU2, QE, QFE4, QMC8, QMD6, QNZ, QWA4, QXC6, Q1, R1, SAD2, SE SMC7, SMC9, S1, T1, U1, VEBM, VMB3, VMS4, VSX, VSX1, VSX3, VTD, VTD1, V1, W1
3	18315-ZE1-000	STAY, MUFFLER.....	1	(1)	-	-		H1, L1, QBU2, QE, QFE4, QMC8, QMD6, QNZ, QWA4, QXC6, Q1, R1, SAD2, SE SMC7, SMC9, S1, T1, U1, VEBM, VMB3, VMS4, VSX, VSX1, VSX3, VTD, VTD1, V1, W1
4	18321-ZH8-820	PROTECTOR, MUFFLER OUTER (SILENT)	1	(1)	-	-	2081153	H1, L1, QE, Q1, R1, SE, S1, T1, U1, VEBM, V1, W1
	18320-ZF1-H50	PROTECTOR, MUFFLER (SILENT)...	1	(1)	-	-	3240675	L1, QE, Q1, R1, SE, S1, VEBM, V1
			1	-	-	-	3240675	QNZ, VSX, VSX1
	18320-ZF1-H51	.....	-	(1)	-	-	2081154	H1, T1, U1, W1
			1	(1)	-	-	3240676	L1, QE, QNZ, Q1, R1, SE, S1, VEBM, VSX, VSX1, V1
			1	-	-	-		QBU2, QFE4, QMC8, QMD6, QWA4, QXC6, SAD2, SMC7, SMC9, VMB3, VMS4, VSX3, VTD, VTD1
5	18331-883-810	CAP, MUFFLER.....	1	(1)	-	-		H1, L1, QBU2, QMC8, QWA4, QXC6, Q1, R1, SAD2, SMC7, S1, T1, U1, VEBM, V1, W1
6	18355-ZE1-810	ARRESTER, SPARK (SILENT).....	1	(1)	-	-		H1, L1, QBU2, QE, QFE4, QMC8, QMD6, QNZ, QWA4, QXC6, Q1, R1, SAD2, SE SMC7, SMC9, S1, T1, U1, VEBM, VMB3, VMS4, V1, W1
			1	-	-	-	4224868	VSX, VSX1
7	18381-ZH8-000	GASKET, MUFFLER.....	1	(1)	-	-	2404157	H1, L1, Q1, R1, S1, T1, U1, VEBM, V1, W1
	18381-ZH8-800	.....	1	(1)	-	-	2404158	H1, L1, Q1, R1, S1, T1, U1, VEBM, V1, W1
			1	-	-	-		QBU2, QE, QFE4, QMC8, QMD6, QNZ, QWA4, QXC6, SAD2, SE, SMC7, SMC9, VMB3, VMS4, VSX, VSX1, VSX3, VTD, VTD1
8	18431-ZH8-W50	DEFLECTOR, MUFFLER.....	(1)	-	-	-		QMC8, QWA4, SMC7
9	18433-ZH8-W40	COVER COMP., MUFFLER.....	(1)	-	-	-	3240676	QE, SE
			(1)	-	-	-		QFE4, QMC8, QMD6, QWA4, SMC7, SMC9, VMB3, VMS4

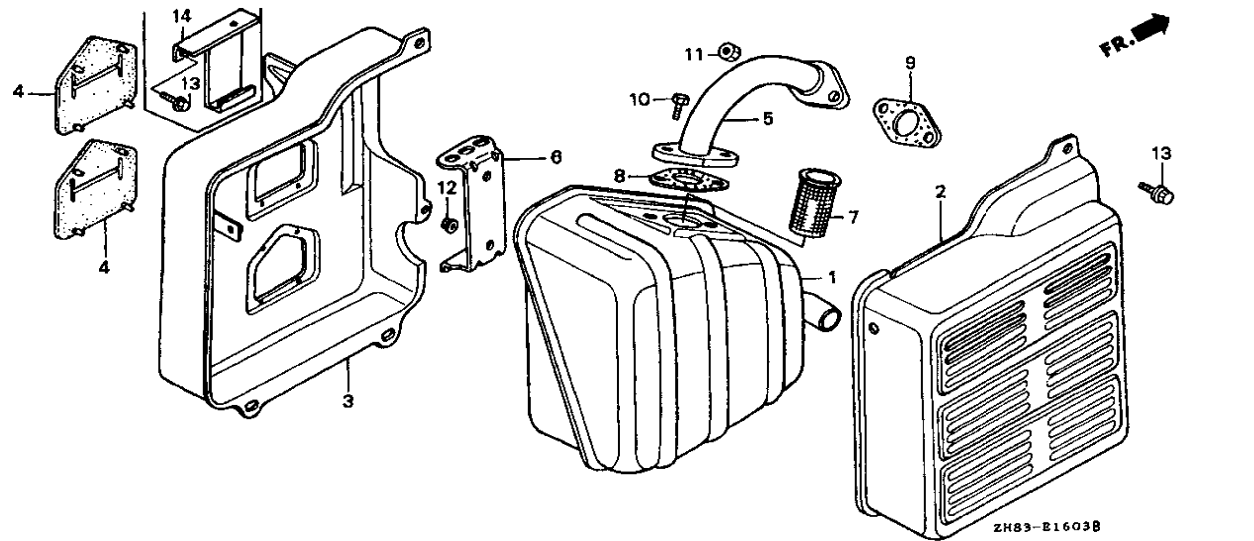
Ref. No.	Part No.	Description	Reqd. QTY				Serial No.	Type
			GX160K1					
			(1)	(2)	(3)	(4)		
10	18434-ZH8-W40	COVER COMP., MUFFLER RR.....	(1)	-	-	-	3240676	QE, SE QFE4, QMC8, QMD6, QWA4, SMC7, SMC9, VMB3, VMS4
11	18436-ZH8-W40	BASE COMP., MUFFLER COVER.....	(1)	-	-	-	3240676	QE, SE QFE4, QMC8, QMD6, QWA4, SMC7, SMC9, VMB3, VMS4
12	18466-ZH8-W40	SPACER, MUFFLER COVER.....	(3)	-	-	-	3240676	QE, SE QFE4, QMC8, QMD6, QWA4, SMC7, SMC9, VMB3, VMS4
13	90016-ZE1-000	BOLT, FLANGE, 6X13.....	1	(1)	-	-		H1, L1, QBU2, QE, QFE4, QMC8, QMD6, QNZ, QWA4, QXC6, Q1, R1, SAD2, SE SMC7, SMC9, S1, T1, U1, VEEM, VMB3, VMS4, VSX, VSX1, VSX3, VTD, VTD1, V1 W1
14	90050-ZE1-000	SCREW, TAPPING, 5X8.....	4	(4)	-	-		H1, L1, QBU2, QE, QFE4, QMC8, QMD6, QNZ, QWA4, QXC6, Q1, R1, SAD2, SE SMC7, SMC9, S1, T1, U1, VEEM, VMB3, VMS4, V1, W1
	90050-ZE3-H00	.....	4	-	-	-	4224868	VSX, VSX1
		.....	4	-	-	-	4224869	VSX, VSX1
		.....	4	-	-	-		VSX3, VTD, VTD1
15	90050-ZE1-000	SCREW, TAPPING, 5X8.....	(1)	-	-	-	3240676	QE, SE QFE4, QMC8, QMD6, QWA4, SMC7, SMC9, VMB3, VMS4
		.....	(1)	-	-	-		
16	90050-ZH8-W40	SCREW, TAPPING, 5X25.....	(2)	-	-	-	3240676	QE, SE QFE4, QMC8, QMD6, QWA4, SMC7, SMC9, VMB3, VMS4
		.....	(2)	-	-	-		
17	90055-ZE1-000	SCREW, TAPPING, 4X6.....	(2)	-	-	-		QMC8, QWA4, SMC7
18	90055-ZE1-000	SCREW, TAPPING, 4X6.....	3	(3)	-	-		H1, L1, QBU2, QMC8, QWA4, QXC6, Q1, R1, SAD2, SMC7, S1, T1, U1, VEEM, V1 W1
		.....	1	-	-	-		QE, QFE4, QMD6, QNZ, SE, SMC9, VMB3, VMS4
		.....	1	-	-	-	4224868	VSX, VSX1
19	90302-KF9-900	NUT, HEX., 5MM.....	(3)	-	-	-	3240676	QE, SE QFE4, QMC8, QMD6, QWA4, SMC7, SMC9, VMB3, VMS4
		.....	(3)	-	-	-		
20	93891-06020-07	SCREW-WASHER, 6X20.....	(3)	-	-	-	3240676	QE, SE QFE4, QMC8, QMD6, QWA4, SMC7, SMC9, VMB3, VMS4
		.....	(3)	-	-	-		
21	94001-08000-0S	NUT, HEX., 8MM.....	2	2	-	-		H1, L1, QBU2, QE, QFE4, QMC8, QMD6, QNZ, QWA4, QXC6, Q1, R1, SAD2, SE SMC7, SMC9, S1, T1, U1, VEEM, VMB3, VMS4, VSX, VSX1, VSX3, VTD, VTD1, V1 W1
22	94103-05700	WASHER, PLAIN, 5MM.....	(3)	-	-	-	3240676	QE, SE QFE4, QMC8, QMD6, QWA4, SMC7, SMC9, VMB3, VMS4
		.....	(3)	-	-	-		
23	95900-06012-00	BOLT, FLANGE, 6X12.....	1	(1)	-	-	3240675	L1, QE, QNZ, Q1, R1, SE, S1, VEEM, VSX, VSX1, V1 H1, T1, U1, W1
		.....	-	(1)	-	-		
	95701-06012-00	.....	1	(1)	-	-	3240676	L1, QE, QNZ, Q1, R1, SE, S1, VEEM, VSX, VSX1, V1 QBU2, QFE4, QMC8, QMD6, QWA4, QXC6, SAD2, SMC7, SMC9, VMB3, VMS4, VSX3 VTD, VTD1
		.....	1	-	-	-		

2



Service Item	F.R.T.
MUFFLER COMP.....	0.1
.GASKET, MUFFLER	

Ref. No.	Part No.	Description	Reqd. QTY				Serial No.	Type
			(1)	(2)	(3)	(4)		
1	18321-ZF1-910	MUFFLER COMP.....	1	-	-	-	-	QZ
2	18381-ZH8-000	GASKET, MUFFLER.....	1	-	-	-	2404157	QZ
	18381-ZH8-800	.....	1	-	-	-	2404158	QZ
3	94001-08000-0S	NUT, HEX., 8MM.....	2	-	-	-	-	QZ



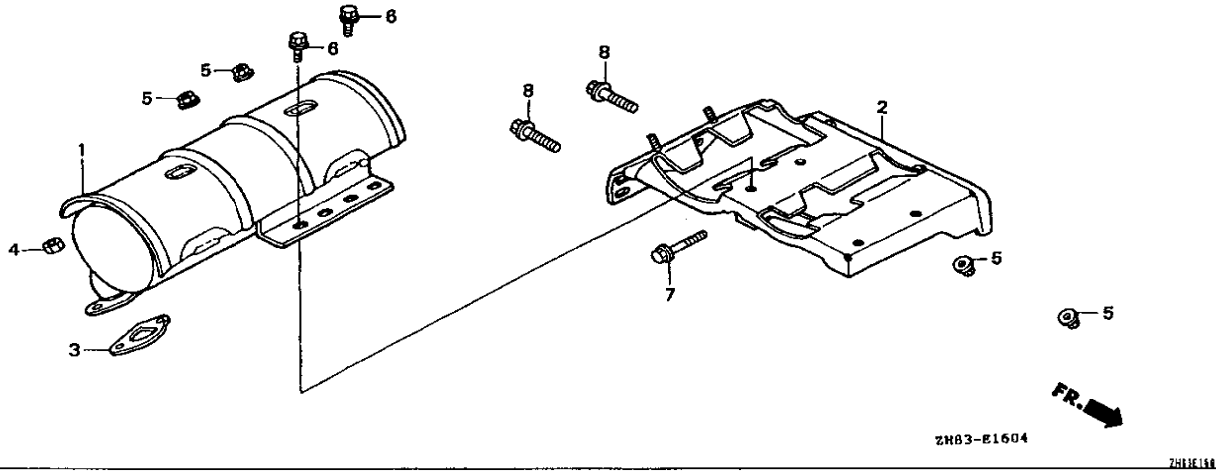
Service Item	F.R.T.
MUFFLER COMP.....	0.2
.PROTECTOR, MUFFLER INNER	
.SEAL, MUFFLER PROTECTOR	
.PIPE COMP., EX.	
.ARRESTER, SPARK	
.GASKET, MUFFLER	
PROTECTOR, MUFFLER OUTER.....	0.1

Ref. No.	Part No.	Description	Reqd. QTY				Serial No.	Type
			(1)	(2)	(3)	(4)		
1	18310-ZB3-C00	MUFFLER COMP.....	1	-	-	-	VED2,VED3,VMT,VPR4,VS4,VS1,VSD1,VSW,VS3,VS4,VTE2,VTX,VTX1	
2	18320-ZB2-000	PROTECTOR, MUFFLER OUTER.....	1	-	-	-	VED2,VED3,VMT,VS4,VS1,VSD1,VSW,VS3,VS4,VTE2,VTX,VTX1	
3	18325-ZB2-000	PROTECTOR, MUFFLER INNER.....	1	-	-	-	VED2,VED3,VMT,VS4,VS1,VSD1,VSW,VS3,VS4,VTE2,VTX,VTX1	
4	18329-ZB2-000	SEAL, MUFFLER PROTECTOR.....	2	-	-	-	VED2,VED3,VMT,VS4,VS1,VSD1,VSW,VS3,VS4,VTE2,VTX,VTX1	
5	18330-ZB2-000	PIPE COMP., EX.....	1	-	-	-	VED2,VED3,VMT,VS4,VS1,VSD1,VSW,VS3,VS4,VTE2,VTX,VTX1	
6	18338-ZB3-E30	STAY, MUFFLER.....	1	-	-	-	VED2,VED3,VMT,VS4,VS1,VSD1,VSW,VS3,VS4,VTE2,VTX,VTX1	
7	18355-898-630	ARRESTER, SPARK.....	1	-	-	-	VED2,VED3,VPR4,VS4,VTE2	
			1	-	-	4224868	VS3,VS4	
8	18381-ZE1-800	GASKET, MUFFLER.....	1	-	-	-	VED3,VMT,VPR4,VS4,VS1,VSD1,VSW,VS3,VS4,VTE2,VTX,VTX1	
9	18381-ZH8-800	GASKET, MUFFLER.....	1	-	-	-	VED2,VED3,VMT,VPR4,VS4,VS1,VSD1,VSW,VS3,VS4,VTE2,VTX,VTX1	
10	92101-08020-0A	BOLT, HEX., 8X20.....	2	-	-	-	VED2,VED3,VMT,VPR4,VS4,VS1,VSD1,VSW,VS3,VS4,VTE2,VTX,VTX1	
11	94001-08000-0S	NUT, HEX., 8MM.....	2	-	-	-	VED2,VED3,VMT,VPR4,VS4,VS1,VSD1,VSW,VS3,VS4,VTE2,VTX,VTX1	
12	94050-06000	NUT, FLANGE, 6MM.....	2	-	-	-	VED2,VED3,VMT,VS4,VS1,VSD1,VSW,VS3,VS4,VTE2,VTX,VTX1	
13	95701-06012-00	BOLT, FLANGE, 6X12.....	5	-	-	-	VED2,VED3,VMT,VS4,VS1,VSD1,VSW,VS3,VS4,VTE2	
			7	-	-	-	VTX,VTX1	
14	18521-ZD8-K61	BRACKET, MUFFLER.....	1	-	-	-	VTX,VTX1	



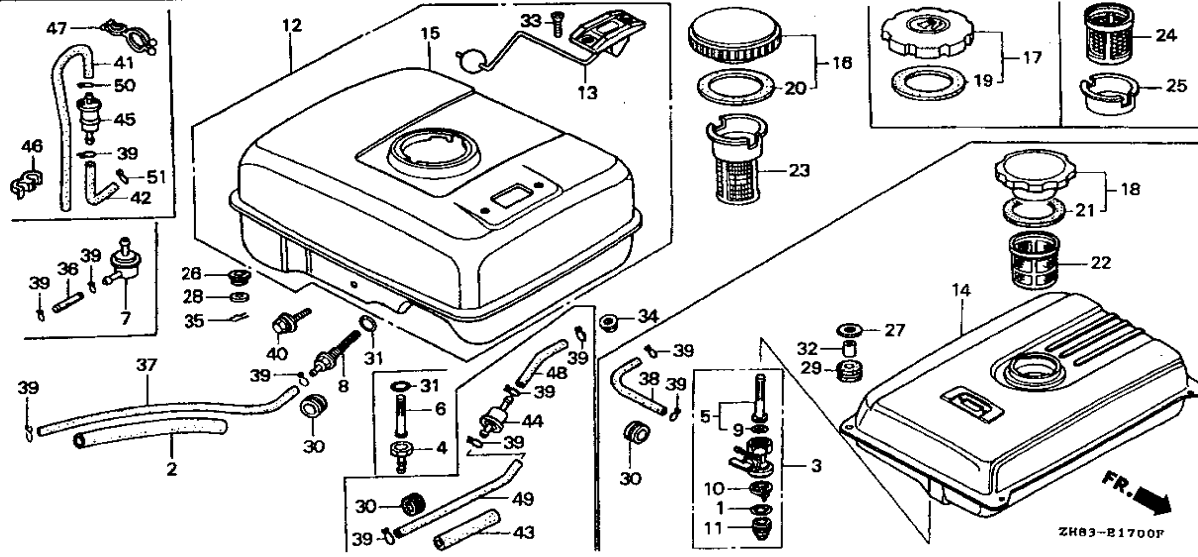
Service Item F.R.T.

MUFFLER COMP.....	0.2
.GASKET, MUFFLER	
STAY COMP., MUFFLER.....	0.3



Ref. No.	Part No.	Description	Reqd. QTY				Serial No.	Type
			GX160K1					
			(1)	(2)	(3)	(4)		
1	18310-ZK7-V01	MUFFLER COMP.....	1	-	-	-	-----	ARC6
2	18338-ZK8-V01	STAY COMP., MUFFLER.....	1	-	-	-	-----	ARC6
3	18381-ZH8-800	GASKET, MUFFLER.....	1	-	-	-	-----	ARC6
4	94001-08000-0S	NUT, HEX., 8MM.....	2	-	-	-	-----	ARC6
5	94050-06000	NUT, FLANGE, 6MM.....	4	-	-	-	-----	ARC6
6	95701-06016-00	BOLT, FLANGE, 6X16.....	2	-	-	-	-----	ARC6
7	95701-06025-00	BOLT, FLANGE, 6X25.....	1	-	-	-	-----	ARC6
8	95701-08020-00	BOLT, FLANGE, 8X20.....	2	-	-	-	-----	ARC6

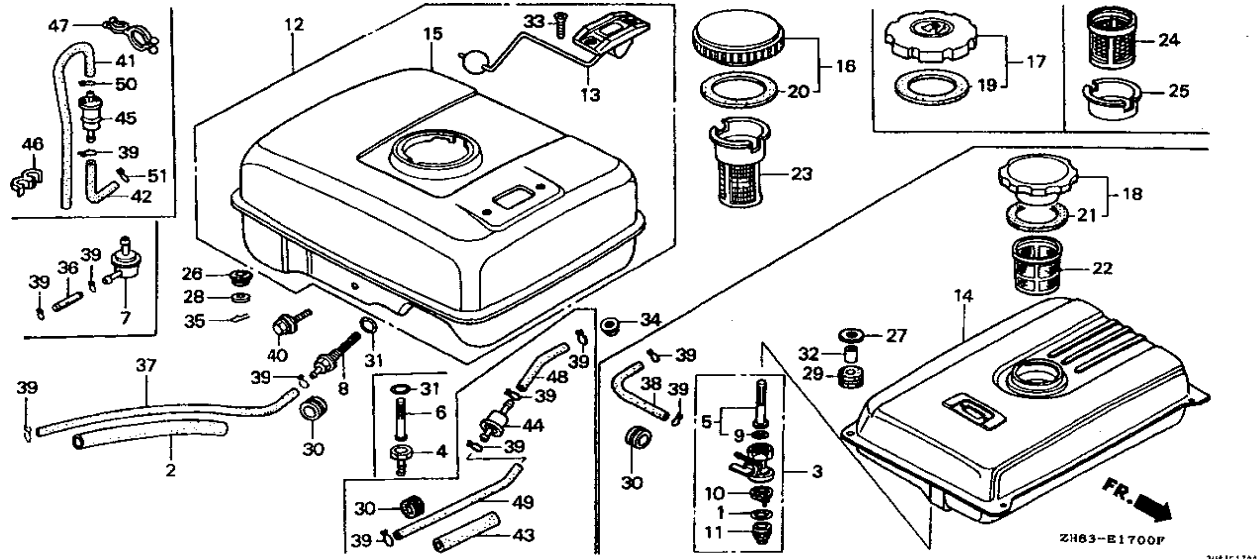




Service Item	F.R.T.
PACKING, FUEL STRAINER CUP.....	0.2
.COCK ASSY., FUEL	
.SCREEN, FUEL STRAINER	
.STRAINER, FUEL	
.JOINT, FUEL TANK	
.FILTER, CUP	
.TANK ASSY., FUEL	
.TANK COMP., FUEL	
.O-RING, 14MM	
.TUBE, FUEL, 4.5X25	
.TUBE, FUEL, 4.5X30	
.STRAINER COMP., FUEL	
GAUGE ASSY., FUEL.....	0.1
.FILTER, FUEL	
.TUBE A, AIR VENT	

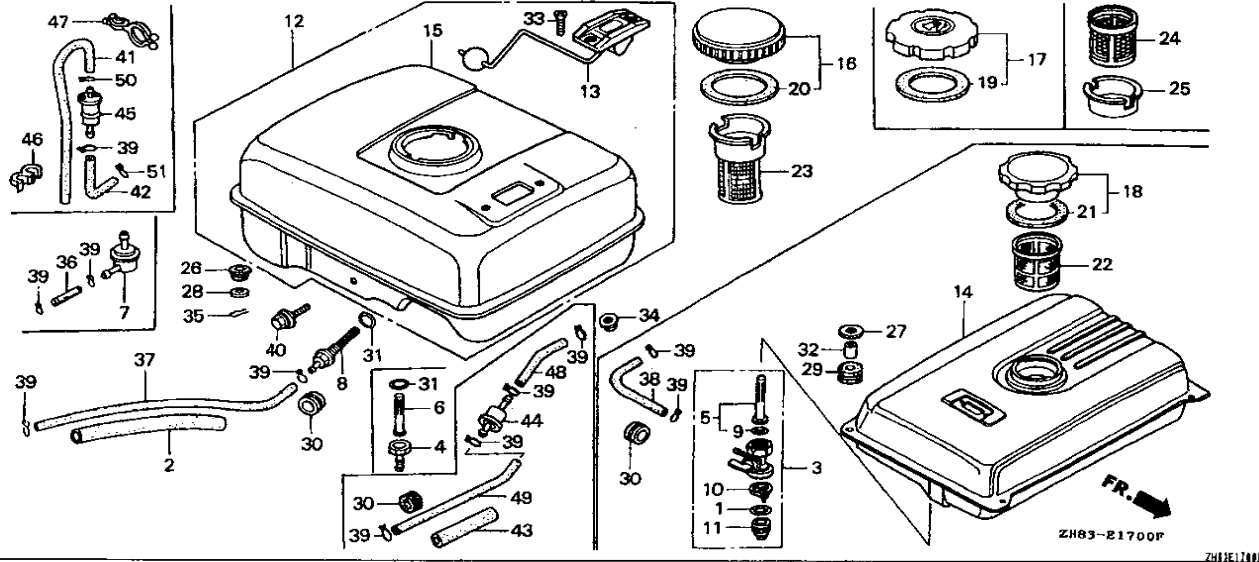
2

Ref. No.	Part No.	Description	Reqd. QTY				Serial No.	Type
			(1)	(2)	(3)	(4)		
1	16173-001-004	PACKING, FUEL STRAINER CUP....	1	-	-	-	VSB1, VSW, VS3, VS4	
2	16854-ZH8-000	RUBBER, SUPPORTER (107MM).....	1	(1)	1	-	BIH, EN, ET, ETX, HH, HHQ4, HH26, HX, HXE, HXE8, HXU, HX26, HX4, H1, KTA, LAX, LD, LDB1, LDB3, LDM, LD4, LH, LHB3, LHQ4, LHW, LSJ4, LSS4, LTA, LVSH, LWZ, LX, LXU, LX26, LX4, L1, NW, PH, PHM, PHU, PM, PMZ, PX, PXU, QA, QAB1, QAB3, QA26, QBT6, QBU2, QD, QE, QFE4, QH, QHE, QHP1, QHQ4, QH26, QIH1, QKA4, QM, QMC6, QMC8, QMD6, QME4, QMH, QNT, QNT2, QNT4, QNZ, QP, QPU, QT, QVSH, QWA4, QX, QXB, QXB1, QXC6, QXE, QXE4, QXE6, QXE8, QXU, QXW, QX26, QX4, QZ, Q1, RAC, RD, RD4, RH, RHQ4, RH26, RMB4, RSK, RX, RXE, RXE4, RXU, RX4, R1, SAC, SAD2, SD, SDB1, SDB3, SDN, SDS, SDS2, VIH1, VMS4, VS, VSD, VSD1, VSX, VSX1, VSX3, VS1, VTD, VTD1, VVSH, VX, VXE, VXE4, VXE6, VXG, VXM, VXU, VXU1, VX26, VX4, V1, WIH1, WKT4, WMBO, WME4, W1	
3	16950-ZB4-015	COCK ASSY., FUEL.....	1	-	-	-	VSB1, VSW, VS3, VS4	
4	16950-732-000	JOINT, FUEL.....	1	-	-	-	EN, ET, ETX	
5	16952-ZB4-005	SCREEN, FUEL STRAINER.....	1	-	-	-	VSB1, VSW, VS3, VS4	
6	16952-883-005	SCREEN SET.....	1	-	-	-	EN, ET, ETX	
7	16953-883-691	STRAINER, FUEL.....	1	-	-	-	PHU, THU	
8	16955-ZE1-000	JOINT, FUEL TANK.....	1	(1)	1	-	BIH, HH, HHQ4, HH26, HX, HXE, HXE8, HXU, HX26, HX4, H1, KTA, LAX, LD, LDB1, LDB3, LDM, LD4, LH, LHB3, LHQ4, LHW, LSJ4, LSS4, LTA, LVSH, LWZ, LX, LXU, LX26, LX4, L1, NW, PH, PHM, PHU, PM, PMZ, PX, PXU, QA, QAB1, QAB3, QA26, QBT6, QBU2, QD, QE, QFE4, QH, QHE, QHP1, QHQ4, QH26, QIH1, QKA4, QM, QMC6, QMC8, QMD6, QME4, QMH, QNT, QNT2, QNT4, QNZ, QP, QPU, QT, QVSH, QWA4, QX, QXB, QXB1, QXC6, QXE, QXE4, QXE6, QXE8, QXU, QXW, QX26, QX4, QZ, Q1, RAC, RD, RD4, RH, RHQ4, RH26, RMB4, RSK, RX, RXE, RXE4, RXU, RX4, R1, SAC, SAD2, SD, SDB1, SDB3, SDN, SDS, SDS2, SDS3, SD16, SD4, VSX, VSX1, VSX3, VS1, VTD, VTD1, VVSH, VX, VXE, VXE4, VXE6, VXG, VXM, VXU, VXU1, VX26, VX4, V1, WIH1, WKT4, WMBO, WME4, W1	
9	16958-397-771	O-RING.....	1	-	-	-	VSB1, VSW, VS3, VS4	



Ref. No.	Part No.	Description	Reqd. QTY	Serial No.	Type
10	16959-471-831	FILTER, CUP.....	1	(1) (2) (3) (4)	VSB1,VSW,VS3,VS4
11	16967-GA6-671	CUP, FUEL STRAINER.....	1	- - -	VSB1,VSW,VS3,VS4
12	17500-ZE1-813ZA	TANK ASSY., FUEL (GAUGE) *NH31*.....MCKINLEY WHITE	1 (1)	- - -	H1,L1,Q1,R1,S1,T1,U1,VSX3,VXG,V1,W1
13	17505-ZE1-013	GAUGE ASSY., FUEL.....	1 (1)	- - -	H1,L1,Q1,R1,S1,T1,U1,VSX3,VXG,V1,W1
	17505-ZB2-003	METER ASSY., FUEL.....	1	- - -	VSB1,VSW,VS3,VS4
14	17510-ZB4-000ZA	TANK COMP., FUEL *NH31*.....MCKINLEY WHITE	1	- - -	VSW
15	17510-ZE1-020ZA	TANK COMP., FUEL *NH31*.....MCKINLEY WHITE	1 (1)	- - -	HH,HHQ4,HH26,HX,HXE,HXE8,HXU,HX26,HX4,H1,KTA,LAX,LD,LDB1 LDB3,LDM,LD4,LH,LHB3,LHQ4,LHW,LSJ4,LSS4,LTA,LWZ,LX,LXU,LX26 LX4,L1,NW,PH,PHM,PHU,PM,PMZ,PX,PXU,QA,QAB1,QAB3,QA26,QBT6 QBU2,QD,QE,QFE4,QH,QHE,QHP1,QHQ4,QH26,QKA4,QM,QMC6,QMC8 QMD6,QME4,QMH,QNT,QNT2,QNT4,QNZ,QP,QPU,QT,QWA4,QX,QXB,QXB1 QXC6,QXE,QXE4,QXE6,QXE8,QXU,QXW,QXW2,QX26,QX4,QZ,Q1,RAC,RD RD4,RH,RHQ4,RH26,RMB4,RSK,RX,RXE,RXE4,RXU,RX4,R1,SAC,SAD2 SD,SDB1,SDB3,SDN,SDS,SDS2,SDS3,SD16,SD4,SE,SEE,SH,SHM,VX26 VX4,V1,WKT4,WMB0,WME4,W1
	17510-ZE1-020ZB	*R8*.....BRIGHT RED	1	- - -	QXW,VS1
	17510-ZE1-020ZF	*NH1*.....BLACK	1	- - -	QBU2,QMC8,QNT2,QX4,RD,SMB4,SM14,TX4,VED,VX4
	17510-ZE1-020ZG	*NH105*...MAT BLACK (#15-#20)	1	- - -	VX4
	17510-ZE1-020ZK	*Y131*.....LIGHTNING YELLOW	1	- - -	VSX1
	17510-ZE1-020ZL	*T77*.....SEC WINE RED	1	- - -	VSX,VS3,VS4
	17510-ZF1-T00ZA	*NH31*.....MCKINLEY WHITE	- 1 -	- - -	

Ref. No.	Part No.	Description	Reqd. QTY				Serial No.	Type	
			(1)	(2)	(3)	(4)			
16	17620-ZE2-W00	CAP COMP., FUEL FILLER.....	1	(1)	-	-	3063877	EN,ET,ETX,HH,HX,KTA,LAX,LD,LH,LTA,LWZ,LX,L1,PH,PHU,PM,PMZ PX,QA,QD,QE,QH,QHE,QM,QNT,QNZ,QT,QX,QXB,QXE,QXW,QZ,Q1,RAC RD,RH,RSK,RX,RXE,R1,SAC,SD,SDS,SE,SEE,SH,STA,SWX,SWZ, SX, SXB SXE,S1,TH,THU, TX, T1, UH, UX, VA, VEBM, VED, VED1, VH, VS, VSD, VSX VSX1, VS1, VX, VXE, VXG, VXU, V1, W1 H1, LDB1, LDB3, LHB3, LVSH, QAB1, QAB3, QIH1, QVSH, QXB1, SDB1, SDB3 SDS2, SDS3, U1, VIH, VIH1, VVSH, WIH1 BIH, SIH, UIH	
	17620-890-010	.....	-	-	1	-	-	QT	
	17620-ZE2-W00	.....	1	-	-	-	3394951	QT	
17	17620-ZH7-013	CAP COMP., FUEL FILLER.....	1	(1)	-	-	3063878	4705772	EN,ET,ETX,HH,HX,KTA,LAX,LD,LH,LTA,LWZ,LX,L1,PH,PHU,PM,PMZ PX,QA,QD,QE,QH,QHE,QM,QNT,QNZ,QT,QX,QXB,QXE,QXW,QZ,Q1,RAC,RD RH,RSK,RX,RXE,R1,SAC,SD,SDS,SE,SEE,SH,STA,SWX,SWZ, SX, SXB SXE,S1,TH,THU, TX, T1, UH, UX, VA, VEBM, VED, VED1, VH, VS, VSD, VSX VSX1, VS1, VX, VXE, VXG, VXU, W1 HHQ4, HH26, HXE, HX26, HX4, LD4, LHQ4, LX26, LX4, QA26, QBT6, QBU2 QHP1, QHQ4, QH26, QKA4, QMC6, QMC8, QMD6, QME4, QMH, QNT2, QP, QPU QXC6, QXE4, QXE6, QXW2, QX26, QX4, RD4, RHQ4, RH26, RMB4, RXE4, RX4 SAD2, SDN, SD16, SD4, SHQ4, SMB4, SMC7, SMC9, SXE4, SX4, TX26, TX4 VHQ4, VMS4, VXE4, VX26, VX4, WMBO
	17620-ZH7-023	.....	1	(1)	-	-	3063878	3394950	QT
			-	(1)	-	-	3063878	V1	
			1	-	1	-	-	BIH, HXE8, HXU, LDM, LHW, LSJ4, LSS4, LXU, NW, PHM, PXU, QFE4, QNT4 QWA4, QXE8, QXU, RXU, SHM, SHR4, SIH, SM14, SXS4, SXU, TXU, UIH, UXU VSX3, VTD, VTD1, VXE6, VXM, VXU1, WKT4, WME4	
			1	(1)	-	-	4705773	EN,ET,ETX,HH,HHQ4,HH26,HX,HXE,HX26,HX4,KTA,LAX,LD,LD4,LH LHQ4,LTA,LWZ,LX,LX26,LX4,L1,PH,PHU,PM,PMZ,PX,QA,QA26,QBT6 QBU2,QD,QE,QH,QHE,QHP1,QHQ4,QH26,QKA4,QM,QMC6,QMC8,QMD6 QME4,QMH,QNT,QNT2,QNZ,QP,QPU,QX,QXB,QXC6,QXE,QXE6,QXW QXW2,QX26,QX4,QZ,Q1,RAC,RD,RD4,RH,RHQ4,RH26,RMB4,RSK,RX,RXE RXE4,RX4,R1,SAC,SAD2,SD,SDN,SDS,SD16,SD4,SE,SEE,SH,SHQ4 SMB4,SMC7,SMC9,STA,SWX,SWZ, SX, SXB, SXE, SXE4, SX4, S1, TH, THU, TX TX26, TX4, T1, UH, UX, VA, VEBM, VED, VED1, VH, VHQ4, VMS4, VS, VSD, VSX VSX1, VS1, VX, VXE, VXE4, VXG, VXU, VX26, VX4, WMBO, W1 VSB1, VSW, VS3, VS4	
18	17620-899-013	CAP COMP., FUEL FILLER.....	1	-	-	-	-	-	
19	17631-ZH7-003	PACKING, FUEL FILLER CAP.....	1	-	1	-	-	BIH, HHQ4, HH26, HXE, HXE8, HXU, HX26, HX4, LDM, LD4, LHQ4, LHW, LSJ4 LSS4, LXU, LX26, LX4, NW, PHM, PXU, QA26, QBT6, QBU2, QFE4, QHP1, QHQ4 QH26, QKA4, QMC6, QMC8, QMD6, QME4, QMH, QNT2, QNT4, QP, QPU, QT, QWA4 QXC6, QXE4, QXE6, QXE8, QXU, QXW2, QX26, QX4, RD4, RHQ4, RH26, RMB4 RXE4, RXU, RX4, SAD2, SDN, SD16, SD4, SHM, SHQ4, SHR4, SIH, SMB4, SMC7 SMC9, SM14, SXE4, SXS4, SXU, SX4, TXU, TX26, TX4, UIH, UXU, VHQ4, VMS4 VSX3, VTD, VTD1, VXE4, VXE6, VXM, VXU1, VX26, VX4, WKT4, WMBO, WME4	
			1	(1)	-	-	3063878	EN,ET,ETX,HH,HX,KTA,LAX,LD,LH,LTA,LWZ,LX,L1,PH,PHU,PM,PMZ PX,QA,QD,QE,QH,QHE,QM,QNT,QNZ,QT,QX,QXB,QXE,QXW,QZ,Q1,RAC,RD RH,RSK,RX,RXE,R1,SAC,SD,SDS,SE,SEE,SH,STA,SWX,SWZ, SX, SXB SXE,S1,TH,THU, TX, T1, UH, UX, VA, VEBM, VED, VED1, VH, VS, VSD, VSX VSX1, VS1, VX, VXE, VXG, VXU, V1, W1	
20	17631-329-003	PACKING, FUEL FILLER CAP.....	1	(1)	1	-	-	BIH, H1, LDB1, LDB3, LHB3, LVSH, QAB1, QAB3, QIH1, QVSH, QXB1, SDB1 SDB3, SDS2, SDS3, SIH, UIH, U1, VIH, VIH1, VVSH, WIH1	
			1	(1)	-	-	3063877	EN,ET,ETX,HH,HX,KTA,LAX,LD,LH,LTA,LWZ,LX,L1,PH,PHU,PM,PMZ PX,QA,QD,QE,QH,QHE,QM,QNT,QNZ,QT,QX,QXB,QXE,QXW,QZ,Q1,RAC RD,RH,RSK,RX,RXE,R1,SAC,SD,SDS,SE,SEE,SH,STA,SWX,SWZ, SX, SXB SXE,S1,TH,THU, TX, T1, UH, UX, VA, VEBM, VED, VED1, VH, VS, VSD, VSX VSX1, VS1, VX, VXE, VXU, V1, W1	
			1	-	-	-	3454851	QT	
			-	-	1	-	-	WIH1	
21	17631-899-000	PACKING, FUEL FILLER CAP.....	1	-	-	-	-	VSB1, VSW, VS3, VS4	

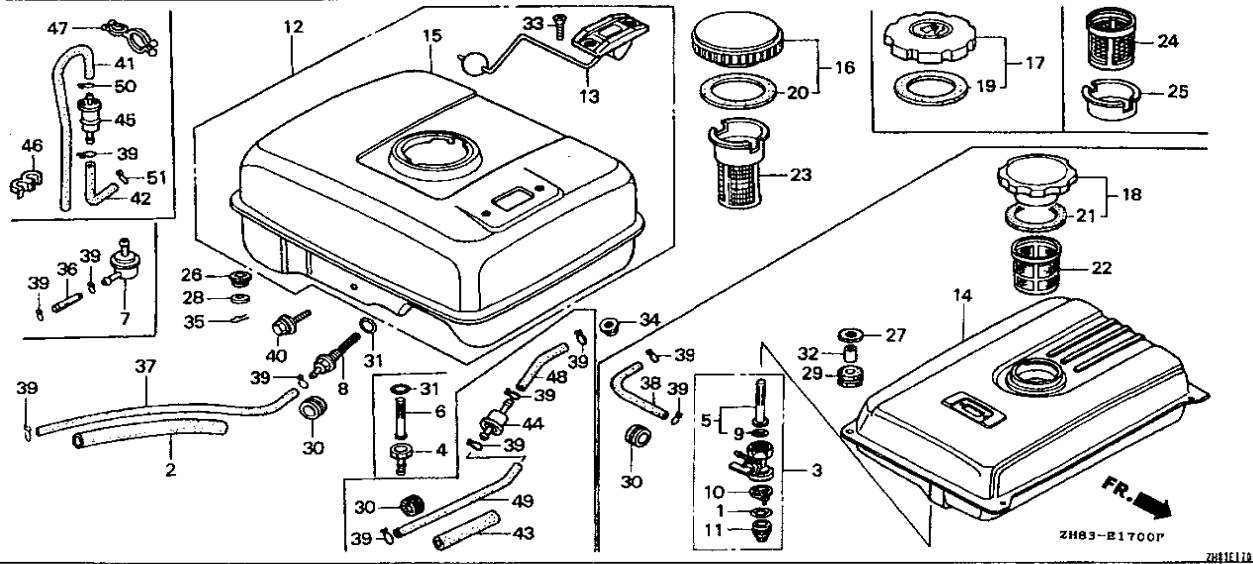


Ref. No.	Part No.	Description	Reqd. QTY				Serial No.	Type
			(1)	(2)	(3)	(4)		
22	17670-899-000	FILTER COMP., FUEL.....	1	-	-	-	VSB1, VSW, VS3, VS4	
23	17672-ZE2-W00	FILTER, FUEL.....	1	(1)	-	2468780	EN, ET, ETX, H1, LTA, LWZ, L1, QA, QNT, QT, QZ, Q1, RAC, R1, SAC, SEE, STA, SWX, SWZ, S1, T1, U1, VED, VED1, VS, VSX, V1, W1	
	17672-ZE2-W01	.....	1	-	1	-	BIH, LDB3, LHB3, LHW, LSJ4, LSS4, LVSH, NW, QAB1, QAB3, QA26, QIH1, QMH, QNT2, QNT4, QVSH, SDB3, SDN, SDS2, SDS3, SHR4, SIH, SM14, UIH, VIH, VSX3, VTD, VTD1, VVSH, WIH1, WKT4	
			1	(1)	-	2827377	EN, ET, ETX, H1, KTA, LTA, LWZ, L1, QA, QNT, QT, QZ, Q1, RAC, R1, SAC, SEE, STA, SWX, SWZ, S1, T1, U1, VED, VED1, VS, VSX, VSX1, VS1, V1, W1	
24	17672-880-000	FILTER, FUEL.....	1	(1)	-	2468781	2827376 EN, ET, ETX, H1, LTA, LWZ, L1, QA, QNT, QT, QZ, Q1, RAC, R1, SAC, SEE, STA, SWX, SWZ, S1, T1, U1, VED, VED1, VS, VSX, V1, W1	
			1	-	-	2827376	KTA, VSX1, VS1	
25	17673-893-000	HOLDER, FUEL FILTER.....	1	(1)	-	2468781	2827376 EN, ET, ETX, H1, LTA, LWZ, L1, QA, QNT, QT, QZ, Q1, RAC, R1, SAC, SEE, STA, SWX, SWZ, S1, T1, U1, VED, VED1, VS, VSX, V1, W1	
			1	-	-	2827376	KTA, VSX1, VS1	
26	17682-817-020	RUBBER, TANK CUSHION.....	4	-	-	-	EN, ET, ETX	
27	90503-898-000	WASHER, TANK CUSHION.....	4	-	-	-	VSB1, VSW, VS3, VS4	
28	90506-500-000	WASHER, AIR DUCT.....	2	-	-	-	EN, ET, ETX	
29	90851-898-000	RUBBER, TANK CUSHION.....	4	-	-	-	VSB1, VSW, VS3, VS4	
30	90854-ZB2-000	RUBBER, FUEL (9X15X10).....	1	-	-	4795103	VSW, VS3, VS4	
	90854-ZB3-000	RUBBER, FUEL (9X15X20).....	1	-	-	4795104	VSW, VS3, VS4	
			1	-	-	-	VPM4, VPR4	

Ref. No.	Part No.	Description	Reqd. QTY				Serial No.	Type
			(1)	(2)	(3)	(4)		
31	91353-671-004	O-RING, 14MM (NOK).....	1	(1)	1	-	BIH,HH,HHQ4,HH26,HX,HXE,HXE8,HXU,HX26,HX4,H1,KTA,LAX,LD LDB1,LDB3,LDM,LD4,LH,LHB3,LHQ4,LHW,LSJ4,LSS4,LTA,LVSH,LWZ LX,LXU,LX26,LX4,L1,NW,PH,PHM,PHU,PM,PMZ,PX,PXU,QA,QAB1,QAB3 QA26,QBT6,QBU2,QD,QE,QFE4,QH,QHE,QHP1,QHQ4,QH26,QIH1,QKA4 QM,QMC6,QMC8,QMD6,QME4,QMH,QNT,QNT2,QNT4,QNZ,QP,QPU,QT,QVSH QWA4,QX,QXB,QXB1,QXC6,QXE,QXE4,QXE6,QXE8,QXU,QXW,QXW2,QX26 QX4,QZ,Q1,RAC,RD,RD4,REX4,RH,RHQ4,RH26,RMB4,RSK,RX,RXE,RXE4 RXU,RX4,R1,SAC,SAD2,SD,SDB1,SDB3,SDN,SDS,SDS2,SDS3,SD16 VMB3,VMS4,VS,VSB1,VSD,VSX,VSX1,VSX3,VS1,VTD,VTD1,VVSH,VX VXE,VXE4,VXE6,VXG,VXM,VXU,VXU1,VX26,VX4,V1,WI1,WKT4,WMB0 WME4,W1	
			1	-	-	-	3294336	EN,ET,ETX
32	91551-898-000	COLLAR, TANK CUSHION.....	4	-	-	-	VSB1,VSW,VS3,VS4	
33	93600-05010-0A	SCREW, FLAT, 5X10.....	2	(2)	-	-	H1,L1,Q1,R1,S1,T1,U1,VSB1,VSW,VSX3,VS3,VS4,VXG,V1,W1	
34	94050-06000	NUT, FLANGE, 6MM.....	2	(2)	2	-	BIH,HH,HHQ4,HH26,HX,HXE,HXE8,HXU,HX26,HX4,H1,KTA,LAX,LD LDB1,LDB3,LDM,LD4,LH,LHB3,LHQ4,LHW,LSJ4,LSS4,LTA,LVSH,LWZ LX,LXU,LX26,LX4,L1,NW,PH,PHM,PHU,PM,PMZ,PX,PXU,QA,QAB1,QAB3 QA26,QBT6,QBU2,QD,QE,QFE4,QH,QHE,QHP1,QHQ4,QH26,QIH1,QKA4 QM,QMC6,QMC8,QMD6,QME4,QMH,QNT,QNT2,QNT4,QNZ,QP,QPU,QT,QVSH QWA4,QX,QXB,QXB1,QXC6,QXE,QXE4,QXE6,QXE8,QXU,QXW,QXW2,QX26 QX4,QZ,Q1,RAC,RD,RD4,REX4,RH,RHQ4,RH26,RMB4,RSK,RX,RXE,RXE4,RXU RX4,R1,SAC,SAD2,SD,SDB1,SDB3,SDN,SDS,SDS2,SDS3,SD16,SD4,VSX VSX1,VSX3,VS1,VTD,VTD1,VVSH,VX,VXE,VXE4,VXE6,VXG,VXM,VXU VXU1,VX26,VX4,V1,WI1,WKT4,WMB0,WME4,W1	
			2	-	-	-	3294336	EN,ET,ETX
35	94251-08000	PIN, LOCK, 8MM.....	2	-	-	-	EN,ET,ETX	
36	95001-45025-40	TUBE, FUEL, 4.5X25 (95001-45001-60M)	1	-	-	-	PHU,THU	
37	95001-45140-40	TUBE, FUEL, 4.5X140 (95001-45001-60M)	1	(1)	1	-	BIH,HH,HHQ4,HH26,HX,HXE,HXE8,HXU,HX26,HX4,H1,KTA,LAX,LD LDB1,LDB3,LDM,LD4,LH,LHB3,LHQ4,LHW,LSJ4,LSS4,LTA,LVSH,LWZ LX,LXU,LX26,LX4,L1,NW,PH,PHM,PHU,PM,PMZ,PX,PXU,QA,QAB1,QAB3 QA26,QBT6,QBU2,QD,QE,QFE4,QH,QHE,QHP1,QHQ4,QH26,QIH1,QKA4 QM,QMC6,QMC8,QMD6,QME4,QMH,QNT,QNT2,QNT4,QNZ,QP,QPU,QT,QVSH QWA4,QX,QXB,QXB1,QXC6,QXE,QXE4,QXE6,QXE8,QXU,QXW,QXW2,QX26 QX4,QZ,Q1,RAC,RD,RD4,REX4,RH,RHQ4,RH26,RMB4,RSK,RX,RXE,RXE4,RXU RX4,R1,SAC,SAD2,SD,SDB1,SDB3,SDN,SDS,SDS2,SDS3,SD16,SD4,VSX VSX1,VSX3,VS1,VTD,VTD1,VVSH,VX,VXE,VXE4,VXE6,VXG,VXM,VXU VXU1,VX26,VX4,V1,WI1,WKT4,WMB0,WME4,W1	
			1	-	-	-	4764118	SWG4
	95001-45350-40	TUBE, FUEL, 4.5X350 (95001-45001-60M)	1	-	-	-	ET,ETX	
	95001-45430-40	TUBE, FUEL, 4.5X430 (95001-45001-60M)	1	-	-	-	EN,VSD1	
	95001-45300-40	TUBE, FUEL, 4.5X300 (95001-45001-60M)	1	-	-	-	4764119	SWG4
38	95001-45180-40	TUBE, FUEL, 4.5X180 (95001-45001-60M)	1	-	-	-	VSB1,VSW,VS3,VS4	

2

Service Item F.R.T.

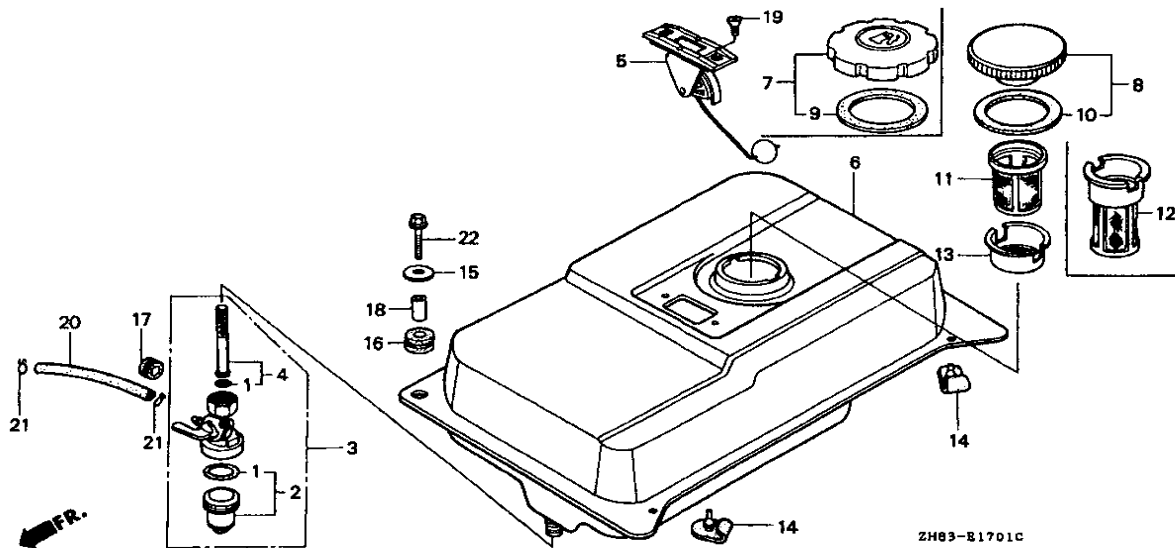


Ref. No.	Part No.	Description	Reqd. QTY				Serial No.	Type
			(1)	(2)	(3)	(4)		
39	95002-02080	CLIP, TUBE (B8).....	1	(2)	2	-	ARC6, BIH, H1, LVSH, L1, QIH1, QVSH, Q1, R1, SIH, S1, T1, UIH, U1, VIH, VIH1, VVSH, V1, WIH1, W1 EN, ET, ETX, HH, HHQ4, HH26, HX, HXE, HXE8, HXU, HX26, HX4, KTA, LAX, LD, LDB1, LDB3, LDM, LD4, LH, LHB3, LHQ4, LHW, LSJ4, LSS4, LTA, LWZ, LX, LXU, LX26, LX4, NW, PH, PHM, PM, PMZ, PX, PXU, QA, QAB1, QAB3, QA26, QBT6, QBU2, QD, QE, QFE4, QH, QHE, QHP1, QHQ4, QH26, QKA4, QM, QMC6, QMC8, QMD6, QME4, QMH, QNT, QNT2, QNT4, QNZ, QP, QPU, QT, QWA4, QX, QXB, QXB1, QXC6, QXE, QXE4, QXE6, QXE8, QXU, QXW, QXW2, QX26, QX4, QZ, RAC, RD, RD4, RH, RHQ4, RH26, RMB4, RSK, RX, RXE, RXE4, RXU, RX4, SAC, SAD2, SD, SDB1, SDB3, SDN, SDS, SDS2, SDS3, SD16, SD4, SE, SEE, SH, SHM, SHQ4, SHR4, VXE4, VXE6, VXG, VXM, VXU, VXU1, VX26, VX4, WKT4, WMBO, WME4, PHU, THU, VPM4, VPR4	
40	95900-06025-00	BOLT, FLANGE, 6X25.....	1	(1)	1	-	BIH, HH, HX, HXU, H1, LD, LH, LTA, LWZ, LX, LXU, L1, PH, PM, PMZ, PX, PXU, QA, QD, QE, QH, QHE, QM, QMC6, QMD6, QT, QX, QXB1, QXE, QXE8, QXU, QZ, Q1, RAC, RD, RH, RMB4, RX, RXE, RXU, R1, SAC, SD, SDS, SE, SEE, SH, SIH, SMB4, SMC9, STA, SWX, SWZ, SX, SXE, SXU, S1, TH, TX, TXU, T1, UH, UIH, UX, UXU, U1, VA, VEBM, VED, VED1, VH, VS, VSX, VX, VXE, V1, WMBO, WME4, W1	
	95701-06025-00	.....	1	-	-	-	3264336 EN, ET, ETX HHQ4, HH26, HXE, HXE8, HX26, HX4, KTA, LAX, LDB1, LDB3, LDM, LD4, LHB3, LHQ4, LHW, LSJ4, LSS4, LVSH, LX26, LX4, NW, PHM, PHU, QAB1, QAB3, QA26, QBT6, QBU2, QFE4, QHP1, QHQ4, QH26, QIH1, QKA4, QMC8, QME4, QMH, QNT, QNT2, QNT4, QNZ, QP, QPU, QVSH, QWA4, QXB, QXC6, QXE4, QXE6, QXW, QXW2, QX26, QX4, RD4, RHQ4, RH26, RSK, RXE4, RX4, SAD2, SDB1, SDB3, SDN, SDS2, SDS3, SD16, SD4, SHM, SHQ4, SHR4, SMC7, SM14, SXB, SXE4, SXS4, SX4, THU, TX26, TX4, VHQ4, VIH, VIH1, VMS4, VSD, VSX1, VSX3, VS1, VTD, VTD1, VVSH, VXE4, VXE6, VXG, VXM, VXU, VXU1, VX26, VX4, WIH1, WKT4	
41	16198-ZG0-U00	TUBE A, AIR VENT.....	1	-	-	-	ARC6	
42	16199-KCR-000	TUBE.....	1	-	-	-	ARC6	

2

Ref. No.	Part No.	Description	Reqd. QTY				Serial No.	Type
			(1)	(2)	(3)	(4)		
43	16854-ZH8-810	RUBBER, SUPPORTER (50MM).....	1	-	-	-	-----	VPM4, VPR4
44	16910-GB2-005	STRAINER COMP., FUEL.....	1	-	-	-	-----	VPM4, VPR4
45	16910-ZG0-U01	STRAINER COMP., FUEL.....	1	-	-	-	-----	ARC6
46	91403-750-800	CLIP, DOUBLE.....	1	-	-	-	-----	ARC6
47	91473-PA1-003	CLIP, WATER HOSE.....	1	-	-	-	-----	ARC6
48	95001-45035-40	TUBE, FUEL, 4.5X35 (95001-45001-60M)	1	-	-	-	-----	VPM4, VPR4
49	95001-45110-40	TUBE, FUEL, 4.5X110 (95001-45001-60M)	1	-	-	-	-----	VPM4, VPR4
50	95002-02100	CLIP, TUBE (B10).....	1	-	-	-	-----	ARC6
51	95002-50000	CLIP, TUBE (C9).....	1	-	-	-	-----	ARC6

2



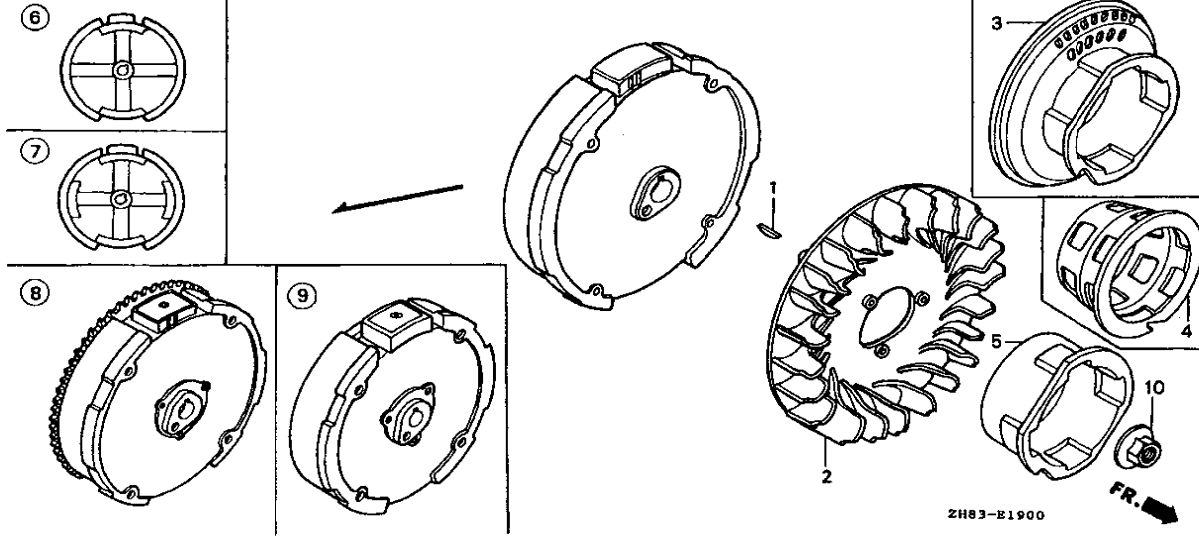
Service Item	F.R.T.
PACKING SET, COCK.....	0.2
.COCK ASSY., FUEL	
.SCREEN SET	
.TANK COMP., FUEL	
.TUBE, FUEL, 4.5X95	
METER ASSY., FUEL.....	0.1

Ref. No.	Part No.	Description	Reqd. QTY				Serial No.		Type
			(1)	(2)	(3)	(4)			
1	16080-898-631	PACKING SET, COCK.....	1	-	-	-	-	-	VED2,VED3,VMT,VTE2,VTX,VTX1
2	16081-471-831	CUP, FUEL STRAINER.....	1	-	-	-	-	-	VED2,VED3,VMT,VTE2,VTX,VTX1
3	16950-898-632	COCK ASSY., FUEL.....	1	-	-	-	-	-	VED2,VED3,VMT,VTE2,VTX,VTX1
4	16952-883-005	SCREEN SET.....	1	-	-	-	-	-	VED2,VED3,VMT,VTE2,VTX,VTX1
5	17505-ZB2-003	METER ASSY., FUEL.....	1	-	-	-	-	-	VED2,VMT,VTE2,VTX,VTX1
6	17510-ZB2-000ZA	TANK COMP., FUEL	1	-	-	-	-	-	VTX,VTX1
	*NH31*.....	MCKINLEY WHITE	1	-	-	-	-	-	VED2,VMT,VTE2
	*R8*.....	BRIGHT RED	1	-	-	-	-	-	VED2
	*T68*.....	TSURUMI BLUE	1	-	-	-	-	-	VED2
	*Y131*.....	LIGHTNING YELLOW	1	-	-	-	-	-	VED2
7	17620-ZH7-013	CAP COMP., FUEL FILLER.....	1	-	-	-	3063878	4705772	VED2
			1	-	-	-		4705772	VTE2
	17620-ZH7-023		1	-	-	-	4705773		VED2,VTE2
			1	-	-	-			VMT,VTX,VTX1
8	17620-890-010	CAP COMP., FUEL FILLER.....	1	-	-	-		3063877	VED2
9	17631-ZH7-003	PACKING, FUEL FILLER CAP.....	1	-	-	-	3063878		VED2
10	17631-329-003	PACKING, FUEL FILLER CAP.....	1	-	-	-		3063877	VMT,VTE2,VTX,VTX1
			1	-	-	-			VED2
11	17670-ZB2-000	FILTER COMP., FUEL.....	1	-	-	-		2827376	VED2
12	17670-ZH7-A21	FILTER COMP., FUEL.....	1	-	-	-		2827377	VED2
			1	-	-	-			VTE2,VTX,VTX1
	17672-ZE2-W01	FILTER, FUEL.....	1	-	-	-			VMT
	17673-893-000	HOLDER, FUEL FILTER.....	1	-	-	-		2827376	VED2
13	50319-ZB2-000	RUBBER, TANK MOUNTING.....	2	-	-	-			VED2,VED3,VMT,VTE2,VTX,VTX1
14	90506-500-000	WASHER, AIR DUCT.....	4	-	-	-		3477005	VED2
			2	-	-	-	3477006		VED2
			2	-	-	-			VTE2,VTX,VTX1



Ref. No.	Part No.	Description	Reqd. QTY				Serial No.	Type
			(1)	(2)	(3)	(4)		
16	90852-898-000	RUBBER, CONTROL BOX.....	4	-	-	-	3477005	VED2
			2	-	-	-		VMT,VTE2
			2	-	-	-	3477006	VED2
			2	-	-	-		VMT,VTX,VTX1
17	90854-ZB2-000	RUBBER, FUEL (9X15X10).....	1	-	-	-	4795103	VED2,VED3,VTE2
	90854-ZB3-000	RUBBER, FUEL (9X15X20).....	1	-	-	-	4795104	VED2,VED3,VTE2
18	91552-898-000	COLLAR, CONTROL BOX.....	4	-	-	-	3477005	VMT,VTX,VTX1
			2	-	-	-		VED2
			2	-	-	-	3477006	VED2
			2	-	-	-		VMT,VTE2,VTX,VTX1
19	93600-05010-0A	SCREW, FLAT, 5X10.....	2	-	-	-	VED2,VMT,VTE2,VTX,VTX1	
20	95001-45095-40	TUBE, FUEL, 4.5X95 (95001-45001-60M)	1	-	-	-	3477005	VED2
			1	-	-	-		VED3
	95001-45260-40	TUBE, FUEL, 4.5X260 (95001-45001-60M)	1	-	-	-	3477006	4263875 VED2
	95001-45150-40	TUBE, FUEL, 4.5X150 (95001-45001-60M)	1	-	-	-	4263876	VED2
			1	-	-	-		VTE2,VTX,VTX1
	95001-45250-40	TUBE, FUEL, 4.5X250 (95001-45001-60M)	1	-	-	-	VMT	
21	95002-02080	CLIP, TUBE (B8).....	2	-	-	-	VED2,VED3,VMT,VTE2,VTX,VTX1	
22	95701-06020-00	BOLT, FLANGE, 6X20.....	4	-	-	-	3447005	VED2
			2	-	-	-	3447006	VED2
			2	-	-	-		VTE2

2



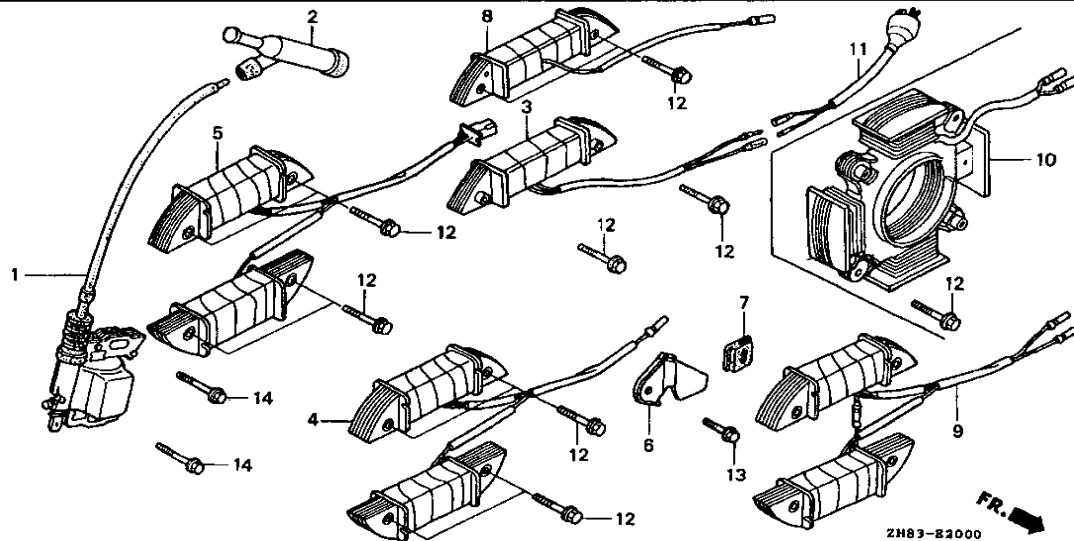
Service Item	F.R.T.
FAN, COOLING.....	0.2
PULLEY COMP., STARTER	
PULLEY, STARTER	
FLYWHEEL COMP.....	0.3

2

Ref. No.	Part No.	Description	Reqd. QTY				Serial No.	Type
			GX160K1 (1)	(2)	(3)	(4)		
1	13331-357-000	KEY, SPECIAL WOODRUFF, 25X18..	1	1	1	1		
2	19511-ZE1-000	FAN, COOLING.....	1	1	1	1		
3	28450-ZH8-811	PULLEY COMP., STARTER.....	1	(1)	-	-	H1, LHW, LSS4, L1, QA, QAB1, QAB3, QA26, QBU2, QE, QFE4, QMC8, QMD6 QWA4, Q1, RAC, R1, SAC, SAD2, SE, SHR4, SMC7, SMC9, S1, T1, U1, VEBM VMB3, V1, W1	
4	28451-ZE1-003	PULLEY, STARTER.....	1	-	-	-	6219319 QT	
5	28451-ZH8-003	PULLEY, STARTER.....	1	-	1	1	VSB1, VSW, VS3, VS4 ARC6, BIH, EN, ET, ETX, HH, HHQ4, HH26, HX, HXE, HXE8, HXU, HX26, HX4 KTA, LAX, LD, LDB1, LDB3, LDM, LD4, LH, LHB3, LHQ4, LSJ4, LTA, LVSH, LWZ LX, LXU, LX26, LX4, NW, PH, PHM, PHU, PM, PMZ, PX, PXU, QBT6, QD, QH, QHE QHP1, QHQ4, QH26, QIH1, QKA4, QM, QMC6, QME4, QMH, QNT, QNT2, QNT4, QNZ QP, QPU, QVSH, QX, QXB, QXB1, QXC6, QXE, QXE4, QXE6, QXE8, QXU, QXW QXW2, QX26, QX4, QZ, RD, RD4, REX4, RH, RHQ4, RH26, RMB4, RSK, RX, RXE RXE4, RXU, RX4, SD, SDB1, SDB3, SDN, SDS, SDS2, SDS3, SD16, SD4, SEE SH, SHM, SHQ4, SIH, SMB4, SM14, STA, SWG4, SWX, SWZ, SX, SXB, SXE, VXE VXE4, VXE6, VXG, VXM, VXP, VXU, VXU1, VX26, VX4, WIH1, WKT4, WMBO, WME4	
			1	-	-	-	6219318 QT	
6	31100-ZE1-000	FLYWHEEL COMP.....	-	(1)	-	-	H1, U1	
	31100-ZE1-010	.....	1	(1)	1	1	ARC6, BIH, EN, ET, ETX, HH, HHQ4, HH26, HX, HXU, HX26, HX4, KTA, LD, LDB1 LDB3, LDM, LD4, LH, LHB3, LHQ4, LSJ4, LSS4, LTA, LVSH, LX, LXU, LX26 LX4, L1, NW, PH, PHM, PHU, PM, PMZ, PX, PXU, QA, QAB1, QAB3, QA26, QBT6 QBU2, QD, QE, QFE4, QH, QHP1, QHQ4, QH26, QIH1, QM, QMC8, QME4, QMH, QNT QNT2, QNT4, QPU, QT, QVSH, QWA4, QX, QXB, QXB1, QXC6, QXU, QX26, QX4, QZ Q1, RAC, RD, RD4, RH, RHQ4, RH26, RMB4, RX, RXU, RX4, R1, SAC, SAD2, SD SDB1, SDB3, SDN, SDS2, SDS3, SD16, SD4, SE, SH, SHM, SHQ4, SHR4, SIH SMB4, SMC7, SM14, STA, SWX, SX, SXB, SXS4, SXU, SX4, S1, TH, VX, VXG, VXM VXP, VXU, VXU1, VX26, VX4, V1, WIH1, WKT4, WMBO, WME4, W1	

Ref. No.	Part No.	Description	Reqd. QTY				Serial No.	Type
			GX180X1					
			(1)	(2)	(3)	(4)		
7	31100-ZE1-810	FLYWHEEL COMP. (LAMP).....	-	(1)	-	-	-----	H1,T1,U1,V1,W1
	31100-ZE1-811	.....	1	(1)	-	-	-----	LHW,LWZ,L1,QMC6,QMD6,QP,Q1,RSK,R1,S0S,SMC9,SWZ,S1
8	31100-ZE1-820	FLYWHEEL COMP. (STARTER MOTOR)	-	(1)	-	-	-----	H1,T1,U1,W1
	31100-ZE1-821	.....	1	(1)	-	-	-----	HXE,HXE8,L1,QHE,QKA4,QXE,QXE4,QXE6,QXE8,QXW,QXW2,Q1,RXE RXE4,R1,SEE,SWG4,SXE,SXE4,S1,VSW,VXE,VXE4,VXE6,V1
9	31100-ZH8-S41	FLYWHEEL COMP. (SELF STARTER-7A)	1	-	-	-	-----	QNZ,REX4
	31100-ZH8-W00	FLYWHEEL COMP. (4P-3MAGNET)...	1	-	-	-	-----	2942910 LAX
	31100-ZH8-W02	.....	-	(1)	-	-	2867937	L1,Q1,R1,S1,T1,V1,W1
10	90201-878-003	NUT, SPECIAL, 14MM.....	1	-	-	-	2942911	LAX
			1	1	1	1		

2



Service Item	F.R.T.
COIL ASSY., IGNITION.....	0.2
.CABLE, DOUBLE CONNECTOR	
TERMINAL ASSY., HIGH TENSION...	0.1
COIL ASSY., LAMP.....	0.3
.COIL ASSY., LAMP & CHARGE	
.COIL ASSY., CHARGE	

2

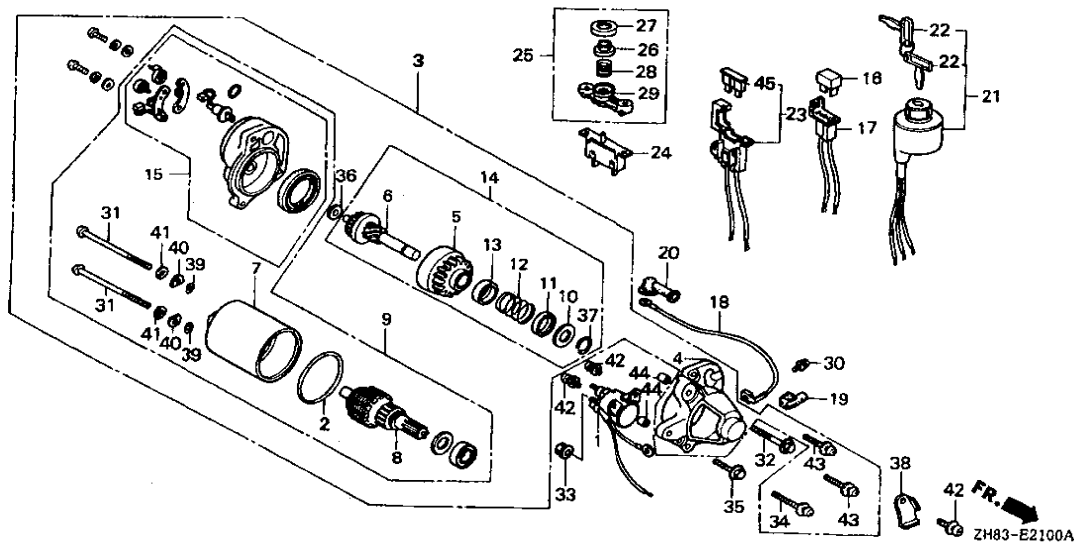
ZH83-82000

ZHU2111

Ref. No.	Part No.	Description	Reqd. QTY				Serial No.	Type
			(1)	(2)	(3)	(4)		
1	30500-ZE1-023	COIL ASSY., IGNITION.....	1	(1)	1	-	2996219	BIH,EN,ET,ETX,HH,HX,KTA,LAX,LD,LH,LTA,LWZ,LX,L1,PH,PHU,PM PMZ,PX,QA,QD,QE,QH,QHE,QM,QNT,QT,QX,QXB,QXE,QXW,QZ,Q1,RAC RD,RH,RSK,RX,RXE,R1,SAC,SD,SDS,SE,SEE,SH,SIH,STA,SWX,SWZ,SX SXB,SXE,S1,TH,THU,TX,T1,UH,UIH,UX,VA,VEBM,VED,VED1,VED2 VED3,VH,VS,VSD,VSD1,VSX,VSX1,VS1,VS3,VS4,VX,VXE,VXG,VXU,V1 W1
	30500-ZE1-033	.....	1	(1)	1	1		H1,U1 ARC6,HHQ4,HH26,HXE,HXE8,HXU,HX26,HX4,LDB1,LDB3,LDM,LD4,LHB3 LHQ4,LHW,LSJ4,LSS4,LVSH,LXU,LX26,LX4,NW,PHM,PXU,QAB1,QAB3 QA26,QBT6,QBU2,QFE4,QHP1,QHQ4,QH26,QIH1,QKA4,QMC6,QMC8,QMD6 QME4,QMH,QNT2,QNT4,QNZ,QP,QPU,QVSH,QWA4,QXB1,QXC6,QXE4,QXE6 QXE8,QXU,QXW2,QX26,QX4,RD4,REX4,RHQ4,RH26,RMB4,RXE4,RXU,RX4 SAD2,SDB1,SDB3,SDN,SDS2,SDS3,SD16,SD4,SHM,SHQ4,SHR4,SMB4 SMC7,SMC9,SM14,SWG4,SXE4,SXS4,SXU,SX4,TXU,TX26,TX4,UXU,VGE4 VHH4,VHQ4,VIH,VIH1,VMB3,VMS4,VMT,VPM4,VPR4,VS1,VSDP,VSU VSX3,VTD,VTD1,VTE2,VTU1,VTX,VTX1,VVSH,VXE4,VXE6,VXM,VXP VXU1,VX26,VX4,WIH1,WKT4,WMB0,WME4
			1	(1)	1	-	2996220	BIH,EN,ET,ETX,HH,HX,KTA,LAX,LD,LH,LTA,LWZ,LX,L1,PH,PHU,PM PMZ,PX,QA,QD,QE,QH,QHE,QM,QNT,QT,QX,QXB,QXE,QXW,QZ,Q1,RAC RD,RH,RSK,RX,RXE,R1,SAC,SD,SDS,SE,SEE,SH,SIH,STA,SWX,SWZ,SX SXB,SXE,S1,TH,THU,TX,T1,UH,UIH,UX,VA,VEBM,VED,VED1,VED2 VED3,VH,VS,VSD,VSD1,VSX,VSX1,VS1,VS3,VS4,VX,VXE,VXG,VXU,V1 W1
2	30700-ZE8-003	CAP ASSY., NOISE SUPPRESSOR...	1	-	-	-		QZ
	30700-ZF5-013	.....	1	-	-	-		VGE4,VPM4,VPR4,VSD1

Ref. No.	Part No.	Description	Reqd. QTY				Serial No.	Type
			(1)	(2)	(3)	(4)		
(2)	30600-ZE1-013	TERMINAL ASSY., HIGH TENSION (NICHIA Y-EZ)	1	(1)	1	-	-----	BIH, EN, ET, ETX, H1, LD, LDB1, LDB3, LDM, LHB3, LTA, LWZ, L1, NW, PM, PMZ, QAB3, QD, QIH1, QM, QT, Q1, RD, R1, SD, SDB1, SDB3, SDN, SDS2, SDS3, SIH, STA, SWZ, S1, T1, UIH, U1, VED, VIH, VS, VSB1, VSX3, VS1, VTD, VTD1, VTX, VTX1, V1, WIH1, W1
			1	-	-	-	3923401	LD4, QMC6, RD4, SDS, SD4, WMBO
			1	-	-	-	3923402	QAB1
			1	-	-	-	4224869	VSX, VSX1, VS3, VS4
	30700-ZE1-013	CAP ASSY., NOISE SUPPRESSOR (NICHIA Y-EZ RTFM256)	1	(1)	1	1	-----	ARC6, HH, HHQ4, HH26, HX, HXE, HXE8, HXU, HX26, HX4, H1, KTA, LAX, LH, LHQ4, LHW, LSJ4, LSS4, LVSH, LX, LXU, LX26, LX4, L1, PH, PHM, PHU, PX, PXU, QA, QA26, QBT6, QBU2, QE, QFE4, QH, QHE, QHP1, QHQ4, QH26, QKA4, QMC8, QMD6, QME4, QMH, QNT, QNT2, QNT4, QNZ, QP, QPU, QVSH, QWA4, QX, QXB, QXB1, QXC6, QXE, QXE4, QXE6, QXE8, QXU, QXW, QXW2, QX26, QX4, Q1, RAC, REX4, RH, RHQ4, RH26, RMB4, RSK, RX, RXE, RXE4, RXU, RX4, R1, SAC, SAD2, SD16, SE, SEE, SH, SHM, SHQ4, SHR4, SMB4, SMC7, SMC9, SM14, SWG4, SWX, SX, SXB, SXE, SXE4, SXS4, SXU, SX4, S1, TH, THU, TX, TXU, TX26, TX4, T1, UH, UX, UXU, U1, VA, VEBM, VED1, VED2, VED3, VH, VHH4, VHQ4, VIH1, VMB3, VMS4, VMT, VSD, VSDP, VSW, VTE2, VTU1, VVSH, VX, VXE, VXE4, VXE6, VXG, VXM, VXP, VXU, VXU1, VX26, VX4, V1, WKT4, WME4, W1
			1	-	-	-	3923402	LD4, QMC6, RD4, SDS, SD4, WMBO
			1	-	-	-	3923401	QAB1
			1	-	-	-	4224868	VSX, VSX1, VS3, VS4
3	31510-ZE1-003	COIL ASSY., LAMP (12V/15W)....	-	(1)	-	-	-----	H1, L1, Q1, R1, SMC9, S1, T1, U1, V1, W1
	31510-ZE1-811	COIL ASSY., LAMP (12V/25W)....	1	(1)	-	-	-----	H1, LHW, L1, Q1, R1, S1, T1, U1, V1, W1
	31510-ZE1-821	COIL ASSY., LAMP (6V/15W)....	-	(1)	-	-	-----	H1, LHW, L1, Q1, R1, S1, T1, U1, V1, W1
	31510-ZE1-831	COIL ASSY., LAMP (6V/25W)....	1	(1)	-	-	-----	H1, LHW, L1, Q1, R1, S1, T1, U1, V1, W1
4	31510-ZE1-711	COIL ASSY., LAMP (12V/50W)....	1	(1)	-	-	-----	H1, LWZ, L1, QMC6, QMD6, QP, Q1, RSK, R1, SDS, SWZ, S1, T1, U1, V1, W1
5	31510-ZE1-721	COIL ASSY., LAMP & CHARGE....	-	(1)	-	-	-----	H1, LWZ, L1, QMC6, QMD6, QP, Q1, RSK, R1, SDS, SWZ, S1, T1, U1, V1, W1
6	31511-ZE1-000	CLAMPER, CORD.....	1	(1)	-	-	-----	HXE, HXE8, H1, LAX, LHW, LWZ, L1, QHE, QKA4, QMC6, QMD6, QNZ, QP, QXE, QXE4, QXE6, QXE8, QXW, QXW2, Q1, REX4, RSK, RXE, RXE4, R1, SDS, SEE, SMC9, SWZ, SXE, SXE4, S1, T1, U1, VSW, VXE, VXE4, VXE6, V1, W1
7	31512-ZE1-000	GROMMET, CORD.....	1	(1)	-	-	-----	HXE, HXE8, H1, LAX, LHW, LWZ, L1, QHE, QKA4, QMC6, QMD6, QNZ, QP, QXE, QXE4, QXE6, QXE8, QXW, QXW2, Q1, REX4, RSK, RXE, RXE4, R1, SDS, SEE, SMC9, SWZ, SXE, SXE4, S1, T1, U1, VSW, VXE, VXE4, VXE6, V1, W1
8	31630-ZE1-003	COIL ASSY., CHARGE (1A).....	1	(1)	-	-	-----	HXE, HXE8, H1, L1, QHE, QKA4, QXE, QXE4, QXE6, QXE8, Q1, RXE, RXE4, R1, SEE, SXE, SXE4, S1, T1, U1, VSW, VXE, VXE4, VXE6, V1, W1
9	31630-ZF1-801	COIL ASSY., CHARGE (2.8A)....	1	(1)	-	-	-----	H1, L1, QXW, QXW2, Q1, R1, S1, T1, U1, V1, W1
10	31630-ZH8-W01	COIL ASSY., CHARGE (12V-7A)...	1	(1)	-	-	-----	LAX, L1, QNZ, Q1, REX4, R1, S1, T1, V1, W1
11	32105-ZE1-000	CABLE, DOUBLE CONNECTOR.....	-	(1)	-	-	-----	HXE, HXE8, H1, LHW, L1, QHE, QKA4, QXE, QXE4, QXE6, QXE8, Q1, RXE, RXE4, R1, SEE, SMC9, SXE, SXE4, S1, T1, U1, VSW, VXE, VXE4, VXE6, V1, W1
12	90018-ZE1-000	BOLT, FLANGE, 6X23 (CT200)....	-	(2)	-	-	-----	LAX, LWZ, QMC6, QMD6, QNZ, QP, QXW, QXW2, REX4, RSK, SDS, SWZ
	90015-883-000	BOLT, FLANGE, 6X28.....	2	(N)	-	-	-----	HXE, HXE8, H1, LAX, LHW, LWZ, L1, QHE, QKA4, QMC6, QMD6, QNZ, QP, QXE, QXE4, QXE6, QXE8, QXW, QXW2, Q1, REX4, RSK, RXE, RXE4, R1, SDS, SEE, SMC9, SWZ, SXE, SXE4, S1, T1, U1, VSW, VXE, VXE4, VXE6, V1, W1
13	90019-883-000	BOLT, FLANGE, 5X10.....	1	(1)	-	-	-----	HXE, HXE8, H1, LAX, LHW, LWZ, L1, QHE, QKA4, QMC6, QMD6, QNZ, QP, QXE, QXE4, QXE6, QXE8, QXW, QXW2, Q1, REX4, RSK, RXE, RXE4, R1, SDS, SEE, SMC9, SWZ, SXE, SXE4, S1, T1, U1, VSW, VXE, VXE4, VXE6, V1, W1
14	90121-952-000	BOLT, FLANGE, 6X25.....	2	2	2	2	-----	HXE, HXE8, H1, LAX, LHW, LWZ, L1, QHE, QKA4, QMC6, QMD6, QNZ, QP, QXE, QXE4, QXE6, QXE8, QXW, QXW2, Q1, REX4, RSK, RXE, RXE4, R1, SDS, SEE, SMC9, SWZ, SXE, SXE4, S1, T1, U1, VSW, VXE, VXE4, VXE6, V1, W1



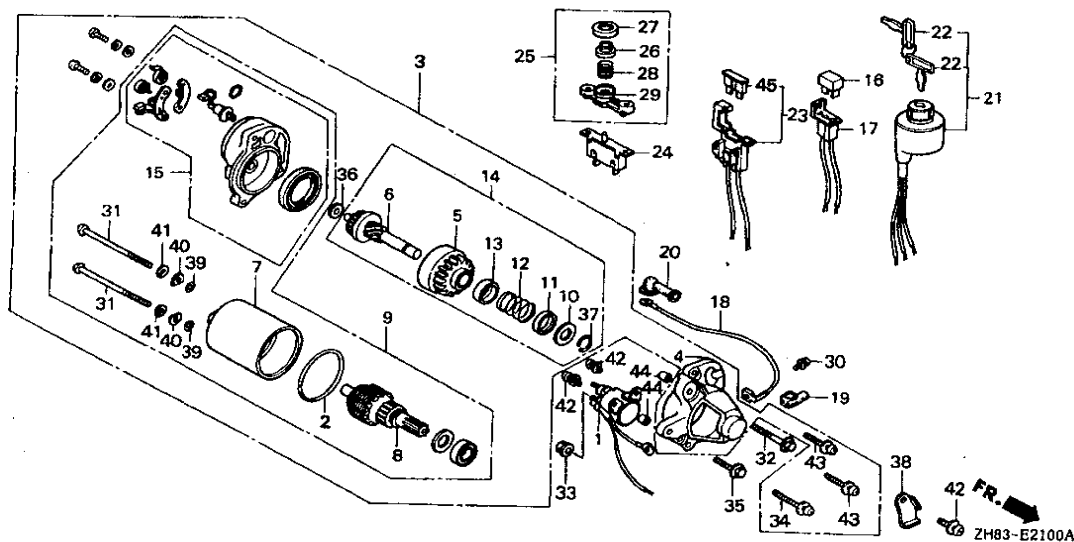


Service Item	F.R.T.
SWITCH ASSY., STARTER MAGNETIC.	0.2
.MOTOR UNIT, STARTER	
.SWITCH ASSY., COMBINATION	
.PROTECTOR, CIRCUIT	
COVER COMP., GEAR.....	0.3
PINION ASSY.....	0.4
.SHAFT UNIT, GEAR	
.YOKE ASSY.	
.ROTOR ASSY.	
.BRACKET COMP., FR.	

Ref. No.	Part No.	Description	Reqd. QTY				Serial No.	Type
			6X160K1	(1)	(2)	(3)		
1	31204-ZE1-003	SWITCH COMP., STARTING MAGNET.	1	(1)	-	-	-	HXE,HXE8,H1,L1,QHE,QKA4,QNZ,QXE,QXE4,QXE6,QXE8,QXW,QXW2,Q1 REX4,RXE,RXE4,R1,SEE,SWG4,SXE,SXE4,S1,T1,U1,VSW,VXE,VXE4 VXE6,V1,W1
2	31204-ZE1-721 31206-KN7-670	SWITCH ASSY., STARTER MAGNETIC O-RING.....	-	(1)	-	-	-	HXE,HXE8,H1,L1,QHE,QKA4,QNZ,QXE,QXE4,QXE6,QXE8,QXW,QXW2,Q1 REX4,RXE,RXE4,R1,SEE,SWG4,SXE,SXE4,S1,T1,U1,VSW,VXE,VXE4 VXE6,V1,W1
3	31210-ZE1-023	MOTOR UNIT, STARTER (SM-11203)(162MM)	1	(1)	-	-	-	HXE,HXE8,H1,L1,QHE,QKA4,QNZ,QXE,QXE4,QXE6,QXE8,QXW,QXW2,Q1 REX4,RXE,RXE4,R1,SEE,SWG4,SXE,SXE4,S1,T1,U1,VSW,VXE,VXE4 VXE6,V1,W1
	31210-ZE1-723	MOTOR UNIT, STARTER (SM-11205)(181MM)	-	(1)	-	-	-	
4	31212-ZE1-003	COVER COMP., GEAR.....	1	(1)	-	-	-	HXE,HXE8,H1,L1,QHE,QKA4,QNZ,QXE,QXE4,QXE6,QXE8,QXW,QXW2,Q1 REX4,RXE,RXE4,R1,SEE,SWG4,SXE,SXE4,S1,T1,U1,VSW,VXE,VXE4 VXE6,V1,W1
5	31214-ZE1-003	PINION ASSY.....	1	(1)	-	-	-	HXE,HXE8,H1,L1,QHE,QKA4,QNZ,QXE,QXE4,QXE6,QXE8,QXW,QXW2,Q1 REX4,RXE,RXE4,R1,SEE,SWG4,SXE,SXE4,S1,T1,U1,VSW,VXE,VXE4 VXE6,V1,W1
6	31215-ZE1-003	SHAFT UNIT, GEAR.....	1	(1)	-	-	-	HXE,HXE8,H1,L1,QHE,QKA4,QNZ,QXE,QXE4,QXE6,QXE8,QXW,QXW2,Q1 REX4,RXE,RXE4,R1,SEE,SWG4,SXE,SXE4,S1,T1,U1,VSW,VXE,VXE4 VXE6,V1,W1
7	31216-ZE1-003	YOKE ASSY.....	1	(1)	-	-	-	HXE,HXE8,H1,L1,QHE,QKA4,QNZ,QXE,QXE4,QXE6,QXE8,QXW,QXW2,Q1 REX4,RXE,RXE4,R1,SEE,SWG4,SXE,SXE4,S1,T1,U1,VSW,VXE,VXE4 VXE6,V1,W1
	31216-ZE1-731	.....	-	(1)	-	-	-	

Ref. No.	Part No.	Description	Reqd. QTY				Serial No.	Type
			6X160K1 (1)	(2)	(3)	(4)		
8	31217-ZE1-013	ROTOR ASSY.....	1	(1)	-	-	HXE,HXE8,H1,L1,QHE,QKA4,QNZ,QXE,QXE4,QXE6,QXE8,QXW,QXW2,Q1 REX4,RXE,RXE4,R1,SEE,SWG4,SXE,SXE4,S1,T1,U1,VSW,VXE,VXE4 VXE6,V1,W1	
	31217-ZE1-722	.....	-	(1)	-	-		
9	31220-ZE1-013	MOTOR ONLY.....	1	(1)	-	-	HXE,HXE8,H1,L1,QHE,QKA4,QNZ,QXE,QXE4,QXE6,QXE8,QXW,QXW2,Q1 REX4,RXE,RXE4,R1,SEE,SWG4,SXE,SXE4,S1,T1,U1,VSW,VXE,VXE4 VXE6,V1,W1	
	31220-ZE1-722	.....	-	(1)	-	-		
10	31221-ZE1-003	PIECE A, STOPPER.....	1	(1)	-	-	HXE,HXE8,H1,L1,QHE,QKA4,QNZ,QXE,QXE4,QXE6,QXE8,QXW,QXW2,Q1 REX4,RXE,RXE4,R1,SEE,SWG4,SXE,SXE4,S1,T1,U1,VSW,VXE,VXE4 VXE6,V1,W1	
11	31222-ZE1-003	PIECE B, STOPPER.....	1	(1)	-	-	HXE,HXE8,H1,L1,QHE,QKA4,QNZ,QXE,QXE4,QXE6,QXE8,QXW,QXW2,Q1 REX4,RXE,RXE4,R1,SEE,SWG4,SXE,SXE4,S1,T1,U1,VSW,VXE,VXE4 VXE6,V1,W1	
12	31223-ZE1-003	SPRING, RETURN.....	1	(1)	-	-	HXE,HXE8,H1,L1,QHE,QKA4,QNZ,QXE,QXE4,QXE6,QXE8,QXW,QXW2,Q1 REX4,RXE,RXE4,R1,SEE,SWG4,SXE,SXE4,S1,T1,U1,VSW,VXE,VXE4 VXE6,V1,W1	
13	31224-ZE1-003	COVER, SPRING.....	1	(1)	-	-	HXE,HXE8,H1,L1,QHE,QKA4,QNZ,QXE,QXE4,QXE6,QXE8,QXW,QXW2,Q1 REX4,RXE,RXE4,R1,SEE,SWG4,SXE,SXE4,S1,T1,U1,VSW,VXE,VXE4 VXE6,V1,W1	
14	31230-ZE1-003	GEAR ASSY.....	1	(1)	-	-	HXE,HXE8,H1,L1,QHE,QKA4,QNZ,QXE,QXE4,QXE6,QXE8,QXW,QXW2,Q1 REX4,RXE,RXE4,R1,SEE,SWG4,SXE,SXE4,S1,T1,U1,VSW,VXE,VXE4 VXE6,V1,W1	
15	31235-ZE1-013	BRACKET COMP., FR.....	1	(1)	-	-	HXE,HXE8,H1,L1,QHE,QKA4,QNZ,QXE,QXE4,QXE6,QXE8,QXW,QXW2,Q1 REX4,RXE,RXE4,R1,SEE,SWG4,SXE,SXE4,S1,T1,U1,VSW,VXE,VXE4 VXE6,V1,W1	
16	31700-124-008	RECTIFIER ASSY., SILICON (SHINDENGEN)	1	(1)	-	-	H1,L1,Q1,R1,S1,T1,U1,VSW,V1,W1	
17	32130-ZE1-000	COUPLER COMP.....	1	(1)	-	-	H1,L1,Q1,R1,S1,T1,U1,VSW,V1,W1	
18	32410-ZE1-000	CORD, MAGNET SWITCH.....	1	(1)	-	-	HXE,HXE8,H1,L1,QHE,QKA4,QNZ,QXE,QXE4,QXE6,QXE8,QXW,QXW2,Q1 REX4,RXE,RXE4,R1,SEE,SWG4,SXE,SXE4,S1,T1,U1,VSW,VXE,VXE4 VXE6,V1,W1	
19	32411-ZE1-000	COVER, MAGNETIC SWITCH.....	1	(1)	-	-	HXE,HXE8,H1,L1,QHE,QKA4,QNZ,QXE,QXE4,QXE6,QXE8,QXW,QXW2,Q1 REX4,RXE,RXE4,R1,SEE,SWG4,SXE,SXE4,S1,T1,U1,VSW,VXE,VXE4 VXE6,V1,W1	
20	32411-253-000	COVER, STARTER MOTOR TERMINAL.	1	(1)	-	-	HXE,HXE8,H1,L1,QHE,QKA4,QNZ,QXE,QXE4,QXE6,QXE8,QXW,QXW2,Q1 REX4,RXE,RXE4,R1,SEE,SWG4,SXE,SXE4,S1,T1,U1,VSW,VXE,VXE4 VXE6,V1,W1	
21	35100-ZE1-013	SWITCH ASSY., COMBINATION.....	1	(1)	-	-	H1,L1,Q1,R1,S1,T1,U1,VSW,V1,W1	
22	35111-880-003	KEY COMP.....	2	(2)	-	-	H1,L1,Q1,R1,S1,T1,U1,VSW,V1,W1	
23	38220-ZE1-000	CASE COMP., FUSE.....	1	(1)	-	-	H1,L1,Q1,R1,S1,T1,U1,VSW,V1,W1	
24	38240-VA3-900	PROTECTOR, CIRCUIT (1.0A).....	1	(1)	-	-	H1,L1,Q1,R1,S1,T1,U1,VSW,V1,W1	
	38240-ZE1-000	PROTECTOR, CIRCUIT (1.25A).....	-	(1)	-	-		
25	38250-898-000	LENS ASSY., PROTECTOR.....	1	(1)	-	-	H1,L1,Q1,R1,S1,T1,U1,VSW,V1,W1	
26	38251-898-000	LENS.....	1	(1)	-	-	H1,L1,Q1,R1,S1,T1,U1,VSW,V1,W1	
27	38252-898-000	CAP, LENS.....	1	(1)	-	-	H1,L1,Q1,R1,S1,T1,U1,VSW,V1,W1	
28	38253-898-000	SPRING, COIL.....	1	(1)	-	-	H1,L1,Q1,R1,S1,T1,U1,VSW,V1,W1	
29	38254-898-000	HOLDER, LENS.....	1	(1)	-	-	H1,L1,Q1,R1,S1,T1,U1,VSW,V1,W1	
30	90010-ZE1-003	SCREW-WASHER, 5X8.....	1	(1)	-	-	HXE,HXE8,H1,L1,QHE,QKA4,QNZ,QXE,QXE4,QXE6,QXE8,QXW,QXW2,Q1 REX4,RXE,RXE4,R1,SEE,SWG4,SXE,SXE4,S1,T1,U1,VSW,VXE,VXE4 VXE6,V1,W1	

2



Service Item F.R.T.

Ref. No.	Part No.	Description	Reqd. QTY				Serial No.	Type
			GX160K1 (1)	(2)	(3)	(4)		
31	90012-ZE1-003	BOLT, SETTING.....	2	(2)	-	-	HXE,HXE8,H1,L1,QHE,QKA4,QNZ,QXE,QXE4,QXE6,QXE8,QXW,QXW2,Q1 REX4,RXE,RXE4,R1,SEE,SWG4,SXE,SXE4,S1,T1,U1,VSW,VXE,VXE4 VXE6,V1,W1	
	90012-ZE1-721	.....	-	(2)	-	-		
32	90017-883-000	BOLT, FLANGE, 6X32.....	1	(1)	-	-	HXE,HXE8,H1,L1,QHE,QKA4,QNZ,QXE,QXE4,QXE6,QXE8,QXW,QXW2,Q1 REX4,RXE,RXE4,R1,SEE,SWG4,SXE,SXE4,S1,T1,U1,VSW,VXE,VXE4 VXE6,V1,W1	
33	90071-MB0-000	NUT-WASHER, 6MM.....	2	(2)	-	-	HXE,HXE8,H1,L1,QHE,QKA4,QNZ,QXE,QXE4,QXE6,QXE8,QXW,QXW2,Q1 REX4,RXE,RXE4,R1,SEE,SWG4,SXE,SXE4,S1,T1,U1,VSW,VXE,VXE4 VXE6,V1,W1	
34	90115-GB4-700	SCREW-WASHER, 5X30.....	1	(1)	-	-	HXE,HXE8,H1,L1,QHE,QKA4,QNZ,QXE,QXE4,QXE6,QXE8,QXW,QXW2,Q1 REX4,RXE,RXE4,R1,SEE,SWG4,SXE,SXE4,S1,T1,U1,VSW,VXE,VXE4 VXE6,V1,W1	
35	90121-952-000	BOLT, FLANGE, 6X25.....	1	(1)	-	-	HXE,HXE8,H1,L1,QHE,QKA4,QNZ,QXE,QXE4,QXE6,QXE8,QXW,QXW2,Q1 REX4,RXE,RXE4,R1,SEE,SWG4,SXE,SXE4,S1,T1,U1,VSW,VXE,VXE4 VXE6,V1,W1	
36	90502-187-701	WASHER, PINION.....	1	(1)	-	-	HXE,HXE8,H1,L1,QHE,QKA4,QNZ,QXE,QXE4,QXE6,QXE8,QXW,QXW2,Q1 REX4,RXE,RXE4,R1,SEE,SWG4,SXE,SXE4,S1,T1,U1,VSW,VXE,VXE4 VXE6,V1,W1	
37	90603-ZE1-003	CIRCLIP, 10.2MM.....	1	(1)	-	-	HXE,HXE8,H1,L1,QHE,QKA4,QNZ,QXE,QXE4,QXE6,QXE8,QXW,QXW2,Q1 REX4,RXE,RXE4,R1,SEE,SWG4,SXE,SXE4,S1,T1,U1,VSW,VXE,VXE4 VXE6,V1,W1	
38	90631-ZE1-003	HOLDER, HARNESS.....	1	(1)	-	-	HXE,HXE8,H1,L1,QHE,QKA4,QNZ,QXE,QXE4,QXE6,QXE8,QXW,QXW2,Q1 REX4,RXE,RXE4,R1,SEE,SWG4,SXE,SXE4,S1,T1,U1,VSW,VXE,VXE4 VXE6,V1,W1	
	90631-ZE1-720	.....	-	(1)	-	-		



Ref. No.	Part No.	Description	Reqd. QTY				Serial No.	Type
			(1)	(2)	(3)	(4)		
39	91301-ZE1-003	O-RING.....	2	(2)	-	-	HXE,HXE8,H1,L1,QHE,QKA4,QNZ,QXE,QXE4,QXE6,QXE8,QXW,QXW2,Q1 REX4,RXE,RXE4,R1,SEE,SWG4,SXE,SXE4,S1,T1,U1,VSW,VXE,VXE4 VXE6,V1,W1	
40	91402-ZE6-003	WASHER, SPECIAL.....	2	(2)	-	-	HXE,HXE8,H1,L1,QHE,QKA4,QNZ,QXE,QXE4,QXE6,QXE8,QXW,QXW2,Q1 REX4,RXE,RXE4,R1,SEE,SWG4,SXE,SXE4,S1,T1,U1,VSW,VXE,VXE4 VXE6,V1,W1	
41	91403-ZE6-003	WASHER, SPRING.....	2	(2)	-	-	HXE,HXE8,H1,L1,QHE,QKA4,QNZ,QXE,QXE4,QXE6,QXE8,QXW,QXW2,Q1 REX4,RXE,RXE4,R1,SEE,SWG4,SXE,SXE4,S1,T1,U1,VSW,VXE,VXE4 VXE6,V1,W1	
42	93892-05014-08	SCREW-WASHER, 5X14.....	3	(3)	-	-	HXE,HXE8,H1,L1,QHE,QKA4,QNZ,QXE,QXE4,QXE6,QXE8,QXW,QXW2,Q1 REX4,RXE,RXE4,R1,SEE,SWG4,SXE,SXE4,S1,T1,U1,VSW,VXE,VXE4 VXE6,V1,W1	
43	93892-05020-08	SCREW-WASHER, 5X20.....	2	(2)	-	-	HXE,HXE8,H1,L1,QHE,QKA4,QNZ,QXE,QXE4,QXE6,QXE8,QXW,QXW2,Q1 REX4,RXE,RXE4,R1,SEE,SWG4,SXE,SXE4,S1,T1,U1,VSW,VXE,VXE4 VXE6,V1,W1	
44	94301-08100	PIN, DOWEL, 8X10.....	2	(2)	-	-	HXE,HXE8,H1,L1,QHE,QKA4,QNZ,QXE,QXE4,QXE6,QXE8,QXW,QXW2,Q1 REX4,RXE,RXE4,R1,SEE,SWG4,SXE,SXE4,S1,T1,U1,VSW,VXE,VXE4 VXE6,V1,W1	
45	98200-30500	FUSE, BLADE (5A).....	1	(1)	-	-	H1,L1,Q1,R1,S1,T1,U1,VSW,V1,W1	

2

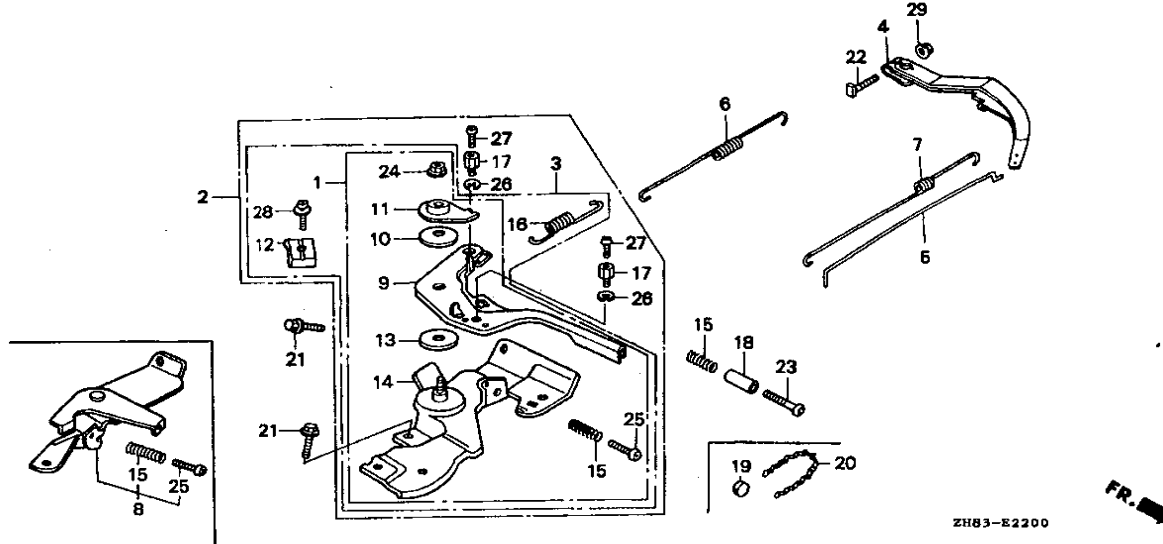
K 1

Control

E - 22

Service Item F.R.T.

CONTROL ASSY..... 0.2  
 (INC. RELATIVE PART)  
 .ARM, GOVERNOR  
 .SPRING, GOVERNOR  
 ROD, GOVERNOR..... 0.3  
 .SPRING, THROTTLE RETURN  
 .BASE COMP., CONTROL

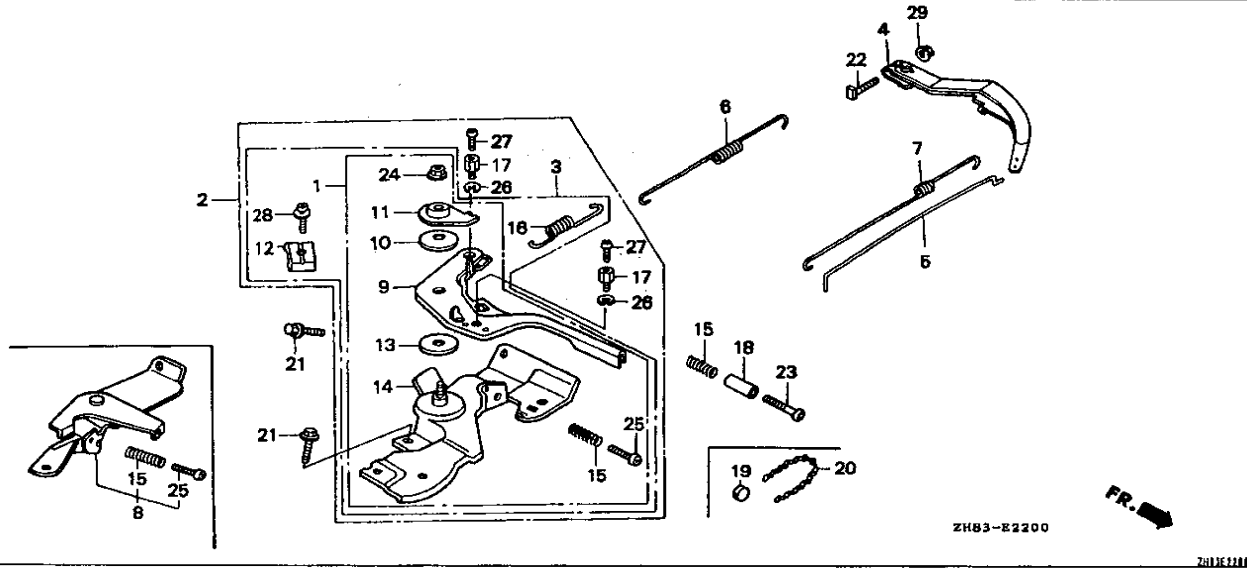


ZHJEMM

Ref. No.	Part No.	Description	Reqd. QTY	Serial No.	Type
			GX140K1 (1) (2) (3) (4)		
1	16500-ZH8-000	CONTROL ASSY. (STD.).....	1 (1) - -	3403754	L1,PH,PHU,PX,Q1,R1,S1,TH,THU,TX,TX4,T1,UH,UX,VA,VH,VH4,Q4,VX,VXE,VXE4,VX4,V1,W1 H1,U1
	16500-ZH8-830	CONTROL ASSY. (LOCK TYPE).....	- (1) - -		
	16500-ZH8-840	CONTROL ASSY.....	- (1) - -		
	16500-ZH8-880	CONTROL ASSY. (CYCLONE-STD.)..	- (1) - -		H1,U1
	16500-ZH8-010	CONTROL ASSY. (STD.).....	1 (1) - -	3427858	L1,Q1,R1,S1,T1,V1,W1
			1 - - -	5551817	L1,PH,PHU,PX,Q1,TH,THU,TX,TX4,UH,UX,VH,VX,W1
			1 - - -	5551817	PHM,PXU,TXU,TX26,UXU,VXE6,VX26,WMB0
			1 (1) - -	3403755	R1,S1,T1,VA,VH4,Q4,VXE,V1
			1 - - -	3403755	VXE4,VX4
			1 - - -	5048176	VXM
			- - - 1	2000098	
	16500-ZH8-881	CONTROL ASSY. (CYCLONE-STD.)..	- (1) - -	3427859	L1,Q1,R1,S1,T1,V1,W1
	16500-ZH8-020	CONTROL ASSY.....	1 (1) - -	5551818	L1,PH,PHM,PHU,PX,PXU,Q1,TH,THU,TX,TXU,TX26,TX4,UH,UX,UXU,VH,VX,VXE6,VX26,WMB0,WME4,W1 BIH,WIH1
			- - 1 -	2000099	
	16500-ZK8-000	.....	1 - - -	5048177	5551817 VXE4,VXM,VX4
	16500-ZH8-030	.....	- - 1 -		VVSH
	16500-ZK8-010	.....	1 - - -	5551818	VXE4,VXM,VX4
			- - 1 -		VIH
2	16500-ZH8-810	CONTROL ASSY. (REMOTE INTL)...	1 (1) - -	3393321	KTA,L1,QNZ,Q1,RAC,RSK,R1,SAC,SEE,STA,S1,T1,VEBM,V1,W1 H1,U1
	16500-ZK8-910	CONTROL ASSY. (CYCLONE-NORTON)	1 - - -	5551817	QNT4
	16500-ZH8-U40	CONTROL ASSY. (NORTON).....	1 - - -	3432720	QNT

Ref. No.	Part No.	Description	Reqd. QTY				Serial No.	Type
			(1)	(2)	(3)	(4)		
(2)	16500-ZH8-811	CONTROL ASSY. (REMOTE INTL)...	1	(1)	-	-	3393322 5551817	KTA,L1,QNZ,Q1,RSK,R1,SEE,S1,VEBM,W1
			1	-	-	-	5551817	LSJ4,NW,QMC8,QMD6,QME4,SMC7,SMC9,VMB3
			1	-	-	-		QBU2,SAD2
			1	(1)	-	-	3393322	RAC,SAC,STA,T1,V1
	16500-ZK8-911	CONTROL ASSY. (CYCLONE-NORTON)	1	-	-	-	5551818	QNT4
	16500-ZK8-920	CONTROL ASSY. (CYCLONE-EN)....	1	-	-	-	5551817	LSS4
	16500-ZH8-U41	CONTROL ASSY. (NORTON).....	1	-	-	-	3432721	5551817 QNT
			1	-	-	-		QNT2
	16500-ZH8-812	CONTROL ASSY. (REMOTE INTL)...	1	(1)	-	-	5551818	KTA,LSJ4,L1,NW,QMC8,QMD6,QME4,QNZ,QWA4,Q1,RSK,R1,SEE,SMC7
			1	-	-	-		SMC9,S1,VEBM,VMB3,W1
			1	-	-	-		LHW,SHR4,SM14,WKT4
	16500-ZH8-890	CONTROL ASSY. (REMOTE INTL-S).	-	(1)	-	-		H1,U1
			-	(1)	-	-	3437688	L1,Q1,R1,S1,T1,V1,W1
	16500-ZK8-921	CONTROL ASSY. (CYCLONE-EN)....	1	-	-	-	5551818	LSS4
	16500-ZH8-U42	CONTROL ASSY. (NORTON).....	1	-	-	-	5551818	QNT
	16500-ZH8-851	CONTROL ASSY. (CYCLONE).....	1	-	-	-	5551817	QXC6
			-	(1)	-	-	3454680	L1,Q1,R1,T1,V1,W1
			-	(1)	-	-	3454680	S1
	16500-ZH8-891	CONTROL ASSY. (REMOTE INTL-S).	-	(1)	-	-	3437689	L1,Q1,S1,T1,V1,W1
			-	(1)	-	-	3437689	R1
	16570-ZE1-711	CONTROL ASSY. (REMOTE).....	1	-	-	-	3442010	QXW
	16500-ZH8-852	CONTROL ASSY. (CYCLONE).....	1	(1)	-	-	5551818	QXC6,S1
	16500-ZH8-861	CONTROL ASSY. (REMOTE).....	1	-	-	-	5551817	ARC6
	16500-ZH8-892	CONTROL ASSY. (REMOTE INTL-S).	-	(1)	-	-	5551818	R1
	16570-ZE1-712	CONTROL ASSY. (REMOTE).....	1	-	-	-	3442011	5551817 QXW
			1	-	-	-	5551817	QXW2
	16500-ZH8-862	.....	1	-	-	-	5551818	ARC6
	16570-ZE1-713	CONTROL ASSY. (REMOTE INTL)...	1	-	-	-	5551818	QXW,QXW2
3	16500-ZH8-820	CONTROL ASSY. (REMOTE).....	1	(1)	-	-	3393321	HH,HHQ4,HX,HX4,LAX,LD,LD4,LH,LHQ4,LTA,LWZ,LX,LX4,L1,PM,PMZ
								QA,QD,QE,QH,QHE,QHQ4,QM,QT,QX,QXB,QXE,QXE4,QX4,Q1,RD,RD4,RH
								RHQ4,RX,RXE,RXE4,RX4,R1,SD,SDB1,SDS,SD4,SE,SH,SHQ4,SWX,SWZ
								SX,SXB,SXE,SXE4,SX4,S1,T1,V1,W1
			-	(1)	-	-		H1,U1
	16500-ZH8-821	.....	1	(1)	-	-	3393322	5551817 HH,HHQ4,HX,HX4,LD,LD4,LH,LHQ4,LWZ,LX,LX4,PMZ,QA,QD,QE,QH
								QHE,QHQ4,QM,QT,QX,QXE,QXE4,QX4,Q1,RD,RD4,RH,RHQ4,RX,RXE
								RXE4,RX4,R1,SD,SDB1,SDS,SD4,SE,SH,SHQ4,SX,SXB,SXE,SXE4,SX4
			1	-	-	-	5551817	HH26,HXE,HX26,LDB1,LDB3,LDM,LHB3,LX26,QAB1,QAB3,QA26,QBT6
								QFE4,QHP1,QH26,QKA4,QMC6,QMH,QP,QPU,QXB1,QXE6,QX26,REX4
								RH26,RMB4,SDB3,SDN,SDS2,SDS3,SD16,SHM
			1	(1)	-	-	3393322	LAX,LTA,L1,PM,QXB,SWX,SWZ,S1,T1,V1,W1
			1	-	-	-		SMB4
			1	-	-	-	4764118	SWG4
	16500-ZH8-822	.....	1	(1)	-	-	5551818	HH,HHQ4,HH26,HX,HXE,HXE8,HX26,HX4,LD,LDB1,LDB3,LDM,LD4,LH
								LHB3,LHQ4,LWZ,LX,LXU,LX26,LX4,PMZ,QA,QAB1,QAB3,QA26,QBT6,QD
								QE,QFE4,QH,QHE,QHP1,QHQ4,QH26,QKA4,QM,QMC6,QMH,QP,QPU,QT,QX
								QXB1,QXE,QXE4,QXE6,QXE8,QXU,QX26,QX4,Q1,RD,RD4,REX4,RH,RHQ4
								RH26,RMB4,RX,RXE,RXE4,RXU,RX4,R1,SD,SDB1,SDB3,SDN,SDS,SDS2
								SDS3,SD16,SD4,SE,SH,SHM,SHQ4,SX,SXB,SXE,SXE4,SXU,SX4
			1	-	1	-		HXU,QIH1,SIH,SXS4,UIH
	16500-ZH8-870	CONTROL ASSY. (CYCLONE-REMOTE)	-	(1)	-	-		
	16500-ZH8-891	CONTROL ASSY. (REMOTE INTL-S).	1	-	-	-	4764119	5551817 SWG4
	16500-ZH8-823	CONTROL ASSY. (REMOTE).....	-	-	1	-		LVSH,QVSH
	16500-ZH8-892	CONTROL ASSY. (REMOTE INTL-S).	1	-	-	-	5551818	SWG4





Ref. No.	Part No.	Description	Reqd. QTY				Serial No.	Type
			(1)	(2)	(3)	(4)		
4	16551-ZE0-010	ARM, GOVERNOR.....	1	1	1	1	-----	BIH, EN, ET, ETX, HH, HHQ4, HH26, HX, HXE, HXE8, HXU, HX26, HX4, H1, KTA LAX, LD, LDB1, LDB3, LDM, LD4, LH, LHB3, LHQ4, LHW, LSJ4, LSS4, LTA LVSH, LWZ, LX, LXU, LX26, LX4, L1, NW, PH, PHM, PHU, PM, PMZ, PX, PXU, QA QAB1, QAB3, QA26, QBT6, QBU2, QD, QE, QFE4, QH, QHE, QHP1, QHQ4, QH26 QIH1, QKA4, QM, QMC6, QMC8, QMD6, QME4, QMH, QNT, QNT2, QNT4, QNZ, QP QPU, QT, QVSH, QWA4, QX, QXB, QXB1, QXC6, QXE, QXE4, QXE6, QXE8, QXU QXW, QXW2, QX26, QX4, Q1, RAC, RD, RD4, REX4, RH, RHQ4, RH26, RMB4, RSK RX, RXE, RXE4, RXU, RX4, R1, SAC, SAD2, SD, SDB1, SDB3, SDN, SDS, SDS2 V1, VIH1, WKT4, WMB0, WME4, W1
			1	-	-	-	4913229	VED, VED1, VED2, VED3, VH, VHH4, VHQ4, VMS4, VS, VSX, VSX1, VS1, VS3 VS4, VX, VXE, VXE4, VX26, VX4
			1	-	-	-	3943828	VGE4, VMB3, VSD, VSD1
			1	-	-	-	4805338	VSW, VXM, VXU
16551-ZL0-000	.....		1	-	-	4913230	VED, VED1, VED2, VED3	
			1	-	-	3943829	VGE4, VMB3, VSD, VSD1	
			1	-	-	4913230	VH, VHH4, VHQ4, VMS4, VS, VSX, VSX1, VS1, VS3, VS4, VX, VXE, VXE4, VX26 VX4	
			1	1	-	-----	VIH, VIH1, VMT, VPM4, VPR4, VSX3, VTD, VTD1, VTU1, VTX, VTX1, VVSH VXE6, VXU1	
			1	-	-	4805339	VSW, VXM, VXU	
16551-ZE0-010	.....		1	-	-	5048025	VED, VED1, VED2, VED3	
			1	-	-	-----	WME4	
16550-ZK7-V00	ARM COMP., GOVERNOR.....		1	-	-	-----	ARC6	

Ref. No.	Part No.	Description	Reqd. QTY				Serial No.	Type
			(1)	(2)	(3)	(4)		
5	16555-ZE1-000	ROD, GOVERNOR.....	1	1	1	1	-----	ARC6, BIH, EN, ET, ETX, HH, HHQ4, HH26, HX, HXE, HXE8, HXU, HX26, HX4, H1 KTA, LAX, LD, LDB1, LDB3, LDM, LD4, LH, LHB3, LHQ4, LHW, LSJ4, LSS4, LTA LVSH, LWZ, LX, LXU, LX26, LX4, L1, NW, PH, PHM, PHU, PM, PMZ, PX, PXU, QA QAB1, QAB3, QA26, QBT6, QBU2, QD, QE, QFE4, QH, QHE, QHP1, QHQ4, QH26 QIH1, QKA4, QM, QMC6, QMC8, QMD6, QME4, QMH, QNT, QNT2, QNT4, QNZ, QP QPU, QT, QVSH, QWA4, QX, QXB, QXB1, QXC6, QXE, QXE4, QXE6, QXE8, QXU QXW, QXW2, QX26, QX4, Q1, RAC, RD, RD4, REX4, RH, RHQ4, RH26, RMB4, RSK RX, RXE, RXE4, RXU, RX4, R1, SAC, SAD2, SD, SDB1, SDB3, SDN, SDS, WME4 W1
6	16561-ZE1-020	SPRING, GOVERNOR.....	1	1	1	1	-----	BIH, EN, ET, ETX, HH, HHQ4, HH26, HX, HXE, HXE8, HXU, HX26, HX4, H1, KTA LAX, LD, LDB1, LDB3, LDM, LD4, LH, LHB3, LHQ4, LHW, LSJ4, LSS4, LTA LVSH, LWZ, LX, LXU, LX26, LX4, L1, NW, PH, PHM, PHU, PM, PMZ, PX, PXU, QA QAB1, QAB3, QA26, QBT6, QBU2, QD, QE, QFE4, QH, QHE, QHP1, QHQ4, QH26 QIH1, QKA4, QM, QMC6, QMC8, QMD6, QME4, QMH, QNT, QNT2, QNT4, QNZ, QP QPU, QT, QVSH, QWA4, QX, QXB, QXB1, QXC6, QXE, QXE4, QXE6, QXE8, QXU QXW, QXW2, QX26, QX4, Q1, RAC, RD, RD4, REX4, RH, RHQ4, RH26, RMB4, RSK RX, RXE, RXE4, RXU, RX4, R1, SAC, SAD2, SD, SDB1, SDB3, SDN, SDS, SDS2 WMB0, WME4, W1
			1	-	-	-	-----	4913229 VH, VHQ4, VS, VSX, VSX1, VS1, VX, VXE, VXE4, VX26, VX4
			1	-	-	-	-----	3943828 VMB3
			1	-	-	-	-----	2482243 VSD
			1	-	-	-	-----	4805338 VXM
16561-ZH8-D00	.....		1	-	-	-	-----	4913229 VED, VED1, VED2, VED3, VHH4, VMS4, VS3, VS4
			1	-	-	-	-----	3949222 VGE4, VSD1
			1	-	-	-	-----	3949222 VSD
			1	-	-	-	-----	4805338 VSW, VXU
16561-ZH8-940	.....		1	-	-	-	-----	ARC6
16561-ZL0-U30	.....		1	-	-	-	-----	4913230 VED, VED1, VED2, VED3
			1	-	-	-	-----	3949223 VGE4, VSD, VSD1
			1	-	-	-	-----	4913230 VHH4, VS, VSX, VS3, VS4
			1	-	-	-	-----	4805339 5048024 VSW
			1	-	-	-	-----	4805339 VXU
16561-ZH8-D00	.....		1	-	-	-	-----	5048025 VED, VED1, VED2, VED3
			1	-	-	-	-----	VSB1, VTE2, VXG
16561-ZL0-000	.....		1	-	-	-	-----	4913230 VH, VHQ4, VSX1, VS1, VX, VXE, VX26
			1	-	-	-	-----	3943829 VMB3
			1	-	-	-	-----	4913230 5048024 VMS4, VXE4, VX4
			1	-	-	-	-----	5048025 VSW, VS4
			1	-	1	-	-----	VSX3, VTD1, VTX1, VVSH, VXE6
			1	-	-	-	-----	4805339 5048024 VXM
16561-ZL0-U30	.....		1	-	1	-	-----	VIH, VIH1, VPM4, VPR4, VTD, VTU1, VTX, VXU1
			1	-	-	-	-----	5048025 VMS4, VXE4, VXM, VX4
7	16562-ZE1-020	SPRING, THROTTLE RETURN.....	1	1	1	1	-----	ARC6, BIH, EN, ET, ETX, HH, HHQ4, HH26, HX, HXE, HXE8, HXU, HX26, HX4, H1 KTA, LAX, LD, LDB1, LDB3, LDM, LD4, LH, LHB3, LHQ4, LHW, LSJ4, LSS4, LTA LVSH, LWZ, LX, LXU, LX26, LX4, L1, NW, PH, PHM, PHU, PM, PMZ, PX, PXU, QA QAB1, QAB3, QA26, QBT6, QBU2, QD, QE, QFE4, QH, QHE, QHP1, QHQ4, QH26 QIH1, QKA4, QM, QMC6, QMC8, QMD6, QME4, QMH, QNT, QNT2, QNT4, QNZ, QP QPU, QT, QVSH, QWA4, QX, QXB, QXB1, QXC6, QXE, QXE4, QXE6, QXE8, QXU QXW, QXW2, QX26, QX4, Q1, RAC, RD, RD4, REX4, RH, RHQ4, RH26, RMB4, RSK RX, RXE, RXE4, RXU, RX4, R1, SAC, SAD2, SD, SDB1, SDB3, SDN, SDS, WME4 W1
8	16570-ZB2-000	CONTROL ASSY.....	1	-	1	-	-----	EN, ET, ETX, VED, VED1, VED2, VED3, VGE4, VHH4, VIH1, VPM4, VS, VSD, VSX VTD, VTU1, VXG, VXU, VXU1
			1	-	-	-	-----	4913229 VMS4, VSX1, VS1
			1	-	-	-	-----	6111880 VPR4

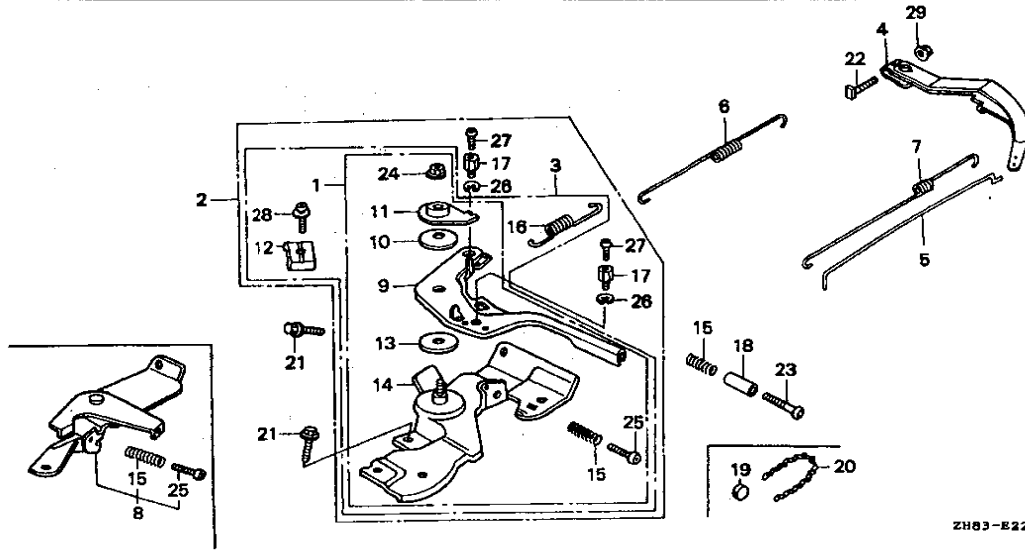
**2**

K 5

Control

E - 22

Service Item F.R.T.



ZH83-E2200

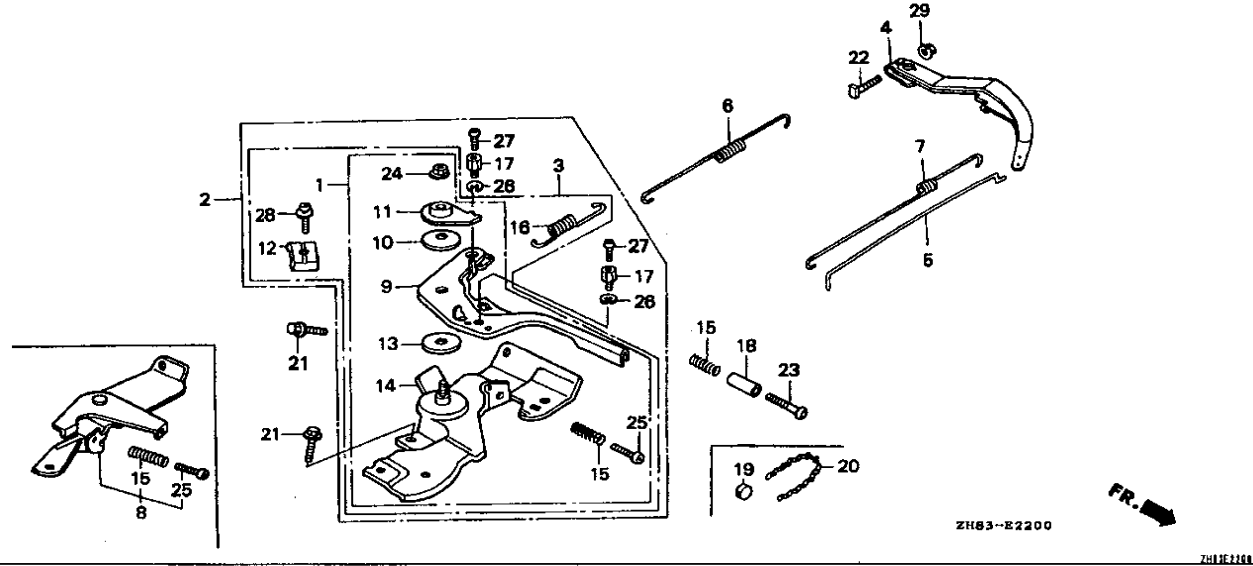
ZH83E2200

Ref. No.	Part No.	Description	Reqd. QTY				Serial No.	Type
			(1)	(2)	(3)	(4)		
(8)	16570-ZK8-U30	CONTROL ASSY. (WACKER).....	1	-	-	-	4913230 5048024	VMS4
			1	-	-	-	6111881	VPR4
			1	-	-	-	4913230	VSX1, VS1
			1	-	-	-		VSX3, VTD1
	16570-ZB2-000	CONTROL ASSY.....	1	-	-	-	5048025	VMS4
9	16571-ZH8-000	LEVER, CONTROL.....	1	(1)	-	-	5551817	HH, HHQ4, HH26, HX, HXE, HX26, HX4, KTA, LD, LDB1, LDB3, LDM, LD4, LH, LHB3, LHQ4, LSJ4, LSS4, LWZ, LX, LX26, LX4, L1, NW, PH, PHM, PHU, PMZ, PX, QA, QAB1, QAB3, QA26, QBT6, QD, QE, QFE4, QH, QHE, QHP1, QHQ4, QH26, QKA4, QM, QMC6, QMC8, QMD6, QME4, QMH, QNT, QNT4, QNZ, QP, QPU, QT, QWA4, QX, QXB1, QXC6, QXE, QXE4, QXE6, QXW, QXW2, QX26, QX4, Q1, RD, RD4, REX4, RH, RHQ4, RH26, RMB4, RSK, RX, RXE, RXE4, RX4, R1, SD, SDB1, SDB3, SDN, SDS, SDS2, SDS3, SD16, SD4, SE, SEE, SH, SHM, SHQ4, SMC7, SMC9, SWG4, SX, SXB, SXE, SXE4, SX4, S1, TH, THU, TX, TX26, TX4, UH, UX, VEBM, VH, VMB3, VX, VXE4, VXE6, VXM, VX26, VX4, WMBO, W1
	16571-ZH8-840	.....	1	(1)	-	-		H1, LAX, LTA, PM, QBU2, QNT2, QXB, RAC, SAC, SAD2, SMB4, STA, SWX, SWZ, T1, U1, VA, VHQ4, VXE, V1
	16571-ZH8-S00	.....	1	-	-	-	5551817	ARC6

Ref. No.	Part No.	Description	Reqd. QTY				Serial No.	Type	
			(1)	(2)	(3)	(4)			
(9)	16571-ZH8-010	LEVER, CONTROL.....	1	-	1	1	-----	BIH,HXU,LHW,QIH1,SHR4,SIH,SM14,SXS4,UIH,VIH,VSDP,VXP,WIH1,WKT4,WME4	
			1	(1)	-	-	5551818	-----	HH,HHQ4,HH26,HX,HXE,HXE8,HX26,HX4,KTA,LD,LDB1,LDB3,LDM,LD4,LH,LHB3,LHQ4,LSJ4,LSS4,LWZ,LX,LXU,LX26,LX4,L1,NW,PH,PHM,PHU,PMZ,PX,PXU,QA,QAB1,QAB3,QA26,QBT6,QD,QE,QFE4,QH,QHE,QHP1,QHQ4,QH26,QKA4,QM,QMC6,QMC8,QMD6,QME4,QMH,QNT,QNT4,QNZ,QP,QPU,QT,QWA4,QX,QXB1,QXC6,QXE,QXE4,QXE6,QXE8,QXU,QXW,QXW2,QX26,QX4,Q1,RD,RD4,REX4,RH,RHQ4,RH26,RMB4,RSK,RX,RXE,RXE4,RXU,RX4,R1,SD,SDB1,SDB3,SDN,SDS,SDS2,SDS3,SD16,SD4,SE,SEE,SH,SHM,SHQ4,SMC7,SMC9,SWG4,SX,SBX,SXE,SXE4,SXU,SX4,S1,TH,THU,TX,TXU,TX26,TX4,UH,UX,UXU,VEBM,VH,VMB3,VX,VXE4,VXE6,VXM,VX26,VX4,WMB0,W1
	16571-ZH8-S01	.....	1	-	-	-	5551818	-----	ARC6
	16571-ZH8-020	.....	-	-	1	-	-----	-----	LVSH,QVSH,VVSH
10	16574-ZE1-000	SPRING, LEVER.....	1	(1)	1	1	-----	ARC6,BIH,HH,HHQ4,HH26,HX,HXE,HXE8,HXU,HX26,HX4,H1,KTA,LAX,LD,LDB1,LDB3,LDM,LD4,LH,LHB3,LHQ4,LHW,LSJ4,LSS4,LTA,LVSH,LWZ,LX,LXU,LX26,LX4,L1,NW,PH,PHM,PHU,PM,PMZ,PX,PXU,QA,QAB1,QAB3,QA26,QBT6,QBU2,QD,QE,QFE4,QH,QHE,QHP1,QHQ4,QH26,QIH1,QKA4,QM,QMC6,QMC8,QMD6,QME4,QMH,QNT,QNT2,QNT4,QNZ,QP,QPU,QT,QVSH,QWA4,QX,QXB,QXB1,QXC6,QXE,QXE4,QXE6,QXE8,QXU,QXW,QXW2,QX26,QX4,Q1,RAC,RD,RD4,REX4,RH,RHQ4,RH26,RMB4,RSK,RX,RXE,RXE4,RXU,RX4,R1,SAC,SAD2,SD,SDB1,SDB3,SDN,SDS,SDS2,SDS3,SD16,VXE,VXE4,VXE6,VXM,VXP,VX26,VX4,V1,WIH1,WKT4,WMB0,WME4,W1	
11	16575-ZH8-000	WASHER, CONTROL LEVER.....	1	(1)	1	1	-----	ARC6,BIH,HH,HHQ4,HH26,HX,HXE,HXE8,HXU,HX26,HX4,H1,KTA,LAX,LD,LDB1,LDB3,LDM,LD4,LH,LHB3,LHQ4,LHW,LSJ4,LSS4,LTA,LVSH,LWZ,LX,LXU,LX26,LX4,L1,NW,PH,PHM,PHU,PM,PMZ,PX,PXU,QA,QAB1,QAB3,QA26,QBT6,QBU2,QD,QE,QFE4,QH,QHE,QHP1,QHQ4,QH26,QIH1,QKA4,QM,QMC6,QMC8,QMD6,QME4,QMH,QNT,QNT2,QNT4,QNZ,QP,QPU,QT,QVSH,QWA4,QX,QXB,QXB1,QXC6,QXE,QXE4,QXE6,QXE8,QXU,QXW,QXW2,QX26,QX4,Q1,RAC,RD,RD4,REX4,RH,RHQ4,RH26,RMB4,RSK,RX,RXE,RXE4,RXU,RX4,R1,SAC,SAD2,SD,SDB1,SDB3,SDN,SDS,SDS2,SDS3,SD16,VXE,VXE4,VXE6,VXM,VXP,VX26,VX4,V1,WIH1,WKT4,WMB0,WME4,W1	
12	16576-891-000	HOLDER, CABLE.....	1	(1)	1	-	-----	ARC6,HH,HHQ4,HH26,HX,HXE,HXE8,HXU,HX26,HX4,H1,KTA,LAX,LD,LDB1,LDB3,LDM,LD4,LH,LHB3,LHQ4,LHW,LSJ4,LSS4,LTA,LVSH,LWZ,LX,LXU,LX26,LX4,L1,NW,PM,PMZ,QA,QAB1,QAB3,QA26,QBT6,QBU2,QD,QE,QFE4,QH,QHE,QHP1,QHQ4,QH26,QIH1,QKA4,QM,QMC6,QMC8,QMD6,QME4,QMH,QNT,QNT2,QNT4,QNZ,QP,QPU,QT,QVSH,QWA4,QX,QXB,QXB1,QXC6,QXE,QXE4,QXE6,QXE8,QXU,QXW,QXW2,QX26,QX4,Q1,RAC,RD,RD4,REX4,RH,RHQ4,RH26,RMB4,RSK,RX,RXE,RXE4,RXU,RX4,R1,SAC,SAD2,SD,SDB1,SDB3,SDN,SDS,SDS2,SDS3,SD16,SD4,SE,SEE,SH,SHM,SHQ4,SHR4,SIH,SMB4,SMC7,SMC9,SM14,STA,SWG4,SWX,SWZ,SX,SBX,SXE,SXE4,SXS4,SXU,SX4,S1,T1,UIH,U1,VEBM,VMB3,V1,WKT4,W1	
13	16578-ZE1-000	SPACER, CONTROL LEVER.....	1	(1)	1	1	-----	ARC6,BIH,HH,HHQ4,HH26,HX,HXE,HXE8,HXU,HX26,HX4,H1,KTA,LAX,LD,LDB1,LDB3,LDM,LD4,LH,LHB3,LHQ4,LHW,LSJ4,LSS4,LTA,LVSH,LWZ,LX,LXU,LX26,LX4,L1,NW,PH,PHM,PHU,PM,PMZ,PX,PXU,QA,QAB1,QAB3,QA26,QBT6,QBU2,QD,QE,QFE4,QH,QHE,QHP1,QHQ4,QH26,QIH1,QKA4,QM,QMC6,QMC8,QMD6,QME4,QMH,QNT,QNT2,QNT4,QNZ,QP,QPU,QT,QVSH,QWA4,QX,QXB,QXB1,QXC6,QXE,QXE4,QXE6,QXE8,QXU,QXW,QXW2,QX26,QX4,Q1,RAC,RD,RD4,REX4,RH,RHQ4,RH26,RMB4,RSK,RX,RXE,RXE4,RXU,RX4,R1,SAC,SAD2,SD,SDB1,SDB3,SDN,SDS,SDS2,SDS3,SD16,VXE,VXE4,VXE6,VXM,VXP,VX26,VX4,V1,WIH1,WKT4,WMB0,WME4,W1	

2

Service Item F.R.T.



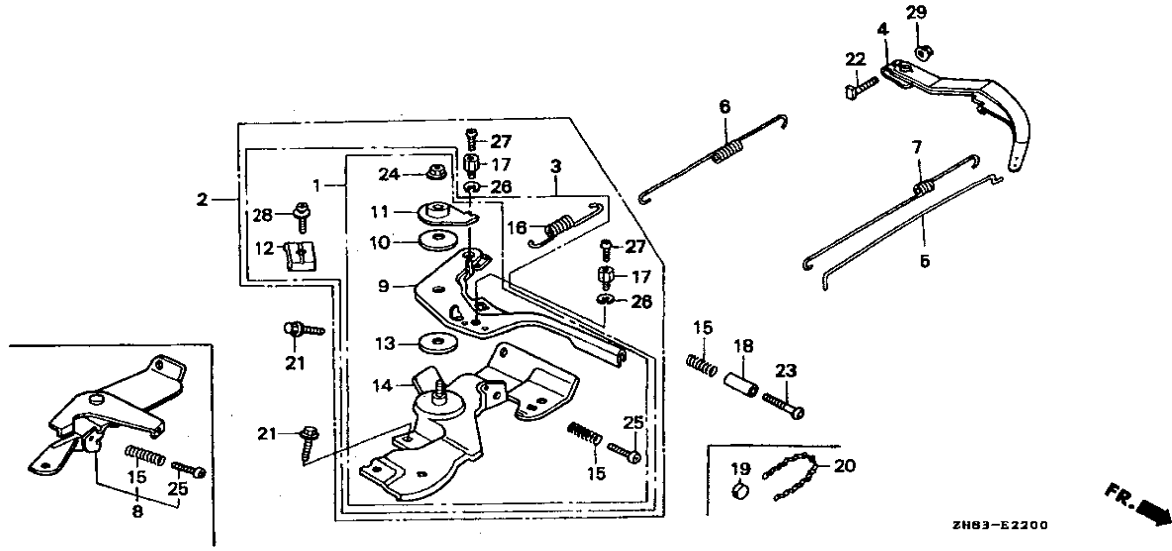
2

Ref. No.	Part No.	Description	Reqd. QTY				Serial No.	Type	
			(1)	(2)	(3)	(4)			
14	16580-ZH8-000	BASE COMP., CONTROL.....	1	(1)	-	-	3403754	L1,PH,PHU,PX,QZ,Q1,R1,S1,TH,THU,TX,TX4,T1,UH,UX,VA,VH,VHQ4 VX,VXE,VXE4,VX4,V1,W1	
	16580-ZH8-810	BASE COMP., CONTROL (REMOTE)..	1	(1)	-	-	3393321	H1,U1 HH,HHQ4,HX,HX4,KTA,LAX,LD,LD4,LH,LHQ4,LTA,LWZ,LX,LX4,L1,PM PMZ,QA,QD,QE,QH,QHE,QHQ4,QM,QNT,QNZ,QT,QX,QXB,QXE,QXE4,QXW QX4,Q1,RAC,RD,RD4,RH,RHQ4,RSK,RX,RXE,RXE4,RX4,R1,SAC,SD SDB1,SDS,SD4,SE,SEE,SH,SHQ4,STA,SWX,SWZ, SX, SXB, SXE, SXE4, SX4 S1,T1,VEBM,V1,W1	
	16580-ZH8-850	BASE COMP., CONTROL (CYCLONE).	-	(1)	-	-	-	H1,U1	
	16580-ZH8-010	BASE COMP., CONTROL.....	1	(1)	-	-	3435940	L1,Q1,R1,S1,T1,V1,W1	
			1	(1)	-	-	3403755	5551817	L1,PH,PHU,PX,Q1,TH,THU,TX,TX4,UH,UX,VH,VX,VXE4,VX4,W1
			1	-	-	-	5551817	PHM, TX26, VXE6, VXM, VX26, WMBO	
	16580-ZH8-811	BASE COMP., CONTROL (REMOTE)..	1	(1)	-	-	3403755	QZ,R1,S1,T1,VA,VHQ4,VXE,V1	
			1	-	-	-	5551817	ARC6,HH26,HXE,HX26,LDB1,LDB3,LDM,LHB3,LSJ4,LX26,NW,QAB1 QAB3,QA26,QBT6,QFE4,QHP1,QH26,QKA4,QMC6,QMC8,QMD6,QME4,QMH QP,QPU,QWA4,QXB1,QXE6,QXW2,QX26,REX4,RH26,RMB4,SDB3,SDN SDS2,SDS3,SD16,SHM,SMC7,SMC9,SWG4,VMB3	
			1	(1)	-	-	3393322	5551817	HH,HHQ4,HX,HX4,KTA,LD,LD4,LH,LHQ4,LWZ,LX,LX4,L1,PMZ,QA,QD QE,QH,QHE,QHQ4,QM,QNT,QNZ,QT,QX,QXE,QXE4,QXW,QX4,Q1,RD,RD4 RH,RHQ4,RSK,RX,RXE,RXE4,RX4,R1,SD,SDB1,SDS,SD4,SE,SEE,SH SHQ4,SX,SXB,SXE,SXE4,SX4,S1,VEBM,W1
			1	(1)	-	-	3393322	LAX,LTA,PM,QXB,RAC,SAC,STA,SWX,SWZ,T1,V1	
			1	-	-	-	-	QB2,QNT2,SAD2,SMB4	
	16580-ZH8-851	BASE COMP., CONTROL (CYCLONE).	1	-	-	-	5551817	LSS4,QNT4,QXC6	
			1	(1)	-	-	3435941	L1,Q1,R1,T1,V1,W1	
			-	(1)	-	-	3435941	5551817	S1



Ref. No.	Part No.	Description	Reqd. QTY				Serial No.	Type
			GX160K1					
			(1)	(2)	(3)	(4)		
14)	16580-ZH8-020	BASE COMP., CONTROL.....	1	-	1	1	5551818	BIH,PXU, TXU, UXU, VIH, VSDP, VXP, WIH1, WME4 L1, PH, PHM, PHU, PX, Q1, TH, THU, TX, TX26, TX4, UH, UX, VH, VX, VXE4 VXE6, VXM, VX26, VX4, WMBO, W1
	16580-ZH8-812	BASE COMP., CONTROL (REMOTE)..	1	(1)	-	-	5551818	ARC6, HH, HHQ4, HH26, HX, HXE, HXE8, HX26, HX4, KTA, LD, LDB1, LDB3, LDM LD4, LH, LHB3, LHQ4, LSJ4, LWZ, LX, LXU, LX26, LX4, L1, NW, PMZ, QA, QAB1 QAB3, QA26, QBT6, QD, QE, QFE4, QH, QHE, QHP1, QHQ4, QH26, QKA4, QM QMC6, QMC8, QMD6, QME4, QMH, QNT, QNZ, QP, QPU, QT, QWA4, QX, QXB1, QXE QXE4, QXE6, QXE8, QXU, QXW, QXW2, QX26, QX4, Q1, RD, RD4, REX4, RH, RHQ4 RH26, RMB4, RSK, RX, RXE, RXE4, RXU, RX4, R1, SD, SDB1, SDB3, SDN, SDS SDS2, SDS3, SD16, SD4, SE, SEE, SH, SHM, SHQ4, SMC7, SMC9, SWG4, SX, SXB SXE, SXE4, SXU, SX4, S1, VEBM, VMB3, W1
	16580-ZH8-852	BASE COMP., CONTROL (CYCLONE)..	1	(1)	-	-	5551818	HXU, LHW, QIH1, SHR4, SIH, SM14, SXS4, UIH, WKT4 LSS4, QNT4, QXC6, S1
	16580-ZH8-030	BASE COMP., CONTROL.....	-	-	1	-		VVSH
	16580-ZH8-813	BASE COMP., CONTROL (REMOTE)..	-	-	1	-		LVSH, QVSH
15	16584-883-300	SPRING, CONTROL ADJUSTING.....	1	(1)	1	1		ARC6, BIH, EN, ET, ETX, HH, HHQ4, HH26, HX, HXE, HXE8, HXU, HX26, HX4, H1 KTA, LAX, LD, LDB1, LDB3, LDM, LD4, LH, LHB3, LHQ4, LHW, LSJ4, LSS4, LTA LVSH, LWZ, LX, LXU, LX26, LX4, L1, NW, PH, PHM, PHU, PM, PMZ, PX, PXU, QA QAB1, QAB3, QA26, QBT6, QBU2, QD, QE, QFE4, QH, QHE, QHP1, QHQ4, QH26 QIH1, QKA4, QM, QMC6, QMC8, QMD6, QME4, QMH, QNT, QNT2, QNT4, QNZ, QP QPU, QT, QVSH, QWA4, QX, QXB, QXB1, QXC6, QXE, QXE4, QXE6, QXE8, QXU QXW, QXW2, QX26, QX4, Q1, RAC, RD, RD4, REX4, RH, RHQ4, RH26, RMB4, RSK RX, RXE, RXE4, RXU, RX4, R1, SAC, SAD2, SD, SDB1, SDB3, SDN, SDS, VGE4 VH, VHH4, VHQ4, VIH, VIH1, VMB3, VMS4, VPM4, VPR4, VS, VSB1, VSD, VSDP VSX, VSX1, VSX3, VS1, VTD, VTD1, VTE2, VTU1, VVSH, VX, VXE, VXE4, VXE6 VXG, VXM, VXP, VXU, VXU1, VX26, VX4, V1, WIH1, WKT4, WMBO, WME4, W1
16	16592-ZE1-810	SPRING, CABLE RETURN.....	1	(1)	1	-		ARC6, HH, HHQ4, HH26, HX, HXE, HXE8, HXU, HX26, HX4, H1, KTA, LAX, LD LDB1, LDB3, LDM, LD4, LH, LHB3, LHQ4, LHW, LSJ4, LSS4, LTA, LVSH, LWZ LX, LXU, LX26, LX4, L1, NW, PM, PMZ, QA, QAB1, QAB3, QA26, QBT6, QBU2, QD QE, QFE4, QH, QHE, QHP1, QHQ4, QH26, QIH1, QKA4, QM, QMC6, QMC8, QMD6 QME4, QMH, QNT, QNT2, QNT4, QNZ, QP, QPU, QT, QVSH, QWA4, QX, QXB, QXB1 QXC6, QXE, QXE4, QXE6, QXE8, QXU, QXW, QXW2, QX26, QX4, Q1, RAC, RD, RD4 REX4, RH, RHQ4, RH26, RMB4, RSK, RX, RXE, RXE4, RXU, RX4, R1, SAC, SAD2 SD, SDB1, SDB3, SDN, SDS, SDS2, SDS3, SD16, SD4, SE, SEE, SH, SHM, SHQ4 SHR4, SIH, SMB4, SMC7, SMC9, SM14, STA, SWG4, SWX, SWZ, SX, SXB, SXE SXE4, SXS4, SXU, SX4, S1, T1, UIH, U1, VEBM, VMB3, V1, WKT4, W1
17	16594-883-010	HOLDER, WIRE.....	1	(1)	-	-		ARC6, H1, KTA, LHW, LSJ4, LSS4, L1, NW, QBU2, QMC8, QMD6, QME4, QNT QNT4, QNZ, QWA4, QXC6, QXW, QXW2, Q1, RAC, RSK, R1, SAC, SAD2, SEE, SHR4 SMC7, SMC9, SM14, STA, S1, T1, U1, VEBM, VMB3, V1, WKT4, W1
			2	-	-	-		QNT2
			1	-	-	-	4764119	SWG4
18	16599-2G1-M10	COLLAR, STOPPER.....	1	-	-	(1)		HHQ4, HX4, LD4, LHQ4, LX4, QHQ4, QXE4, QX4, RD4, RHQ4, RXE4, RX4, SD4 SHQ4, SXE4, SX4, TX4, VHQ4, VSDP, VXE4, VX4
			(1)	-	-	-		LSJ4, LSS4, QFE4, QKA4, QMC6, QMC8, QMD6, QME4, QNT4, QWA4, REX4, RMB4 SMB4, SMC7, SMC9, SM14, SWG4, SXS4, VGE4, VHH4, VMB3, VMS4, VPM4, VPR4 WKT4, WMBO
			(1)	-	-	-	3261482	QE, QNT, QXW, RSK, SDS, SE, VSD, VSD1, VXG
19	16727-705-000	END, LOCK.....	-	(1)	-	-		
20	16729-705-010	WIRE, LOCK.....	-	(1)	-	-		

2



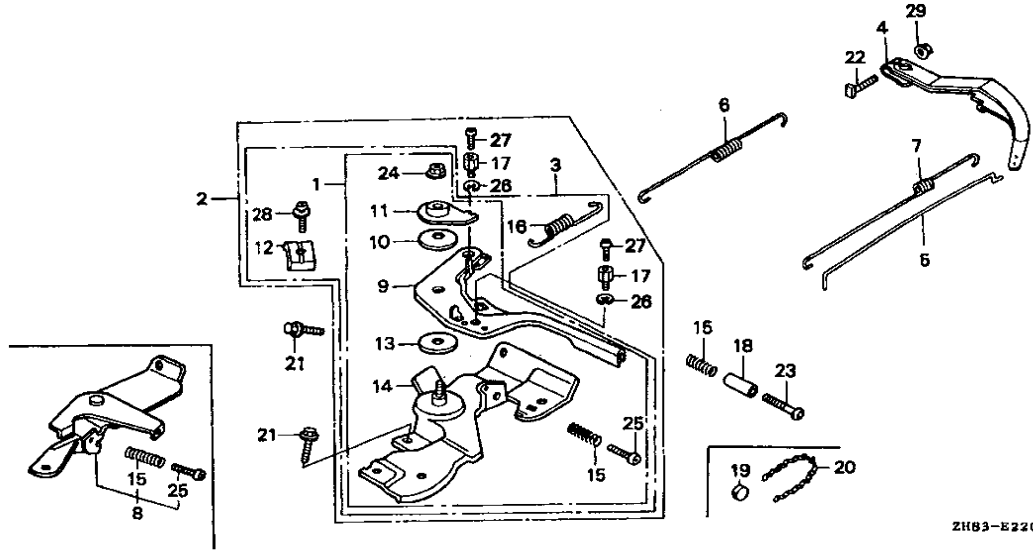
ZH83-E2200

ZHJE2168

Ref. No.	Part No.	Description	Reqd. QTY				Serial No.	Type
			(1)	(2)	(3)	(4)		
21	90013-883-000	BOLT, FLANGE, 6X12 (CT200)....	2	2	2	2	-----	ARC6, BIH, EN, ET, ETX, HH, HHQ4, HH26, HX, HXE, HXE8, HXU, HX26, HX4, H1 KTA, LAX, LD, LDB1, LDB3, LDM, LD4, LH, LHB3, LHQ4, LHW, LSJ4, LSS4, LTA LVSH, LWZ, LX, LXU, LX26, LX4, L1, NW, PH, PHM, PHU, PM, PMZ, PX, PXU, QA QAB1, QAB3, QA26, QBT6, QBU2, QD, QE, QFE4, QH, QHE, QHP1, QHQ4, QH26 QIH1, QKA4, QM, QMC6, QMC8, QMD6, QME4, QMH, QNT, QNT2, QNT4, QNZ, QP QPU, QT, QVSH, QWA4, QX, QXB, QXB1, QXC6, QXE, QXE4, QXE6, QXE8, QXU QXW, QXW2, QX26, QX4, QZ, Q1, RAC, RD, RD4, REX4, RH, RHQ4, RH26, RMB4 RSK, RX, RXE, RXE4, RXU, RX4, R1, SAC, SAD2, SD, SDB1, SDB3, SDN, VED3 VGE4, VH, VHH4, VHQ4, VIH, VIH1, VMB3, VMS4, VPM4, VPR4, VS, VSD, VSDP VSD1, VSX, VSX1, VSX3, VS1, VTD, VTD1, VTE2, VTU1, VVSH, VX, VXE, VXE4 VXE6, VXG, VXM, VXP, VXU, VXU1, VX26, VX4, V1, WIH1, WKT4, WMBO, WME4 W1
22	90015-ZE5-010	BOLT, GOVERNOR ARM.....	1	1	1	1	-----	ARC6, BIH, EN, ET, ETX, HH, HHQ4, HH26, HX, HXE, HXE8, HXU, HX26, HX4, H1 KTA, LAX, LD, LDB1, LDB3, LDM, LD4, LH, LHB3, LHQ4, LHW, LSJ4, LSS4, LTA LVSH, LWZ, LX, LXU, LX26, LX4, L1, NW, PH, PHM, PHU, PM, PMZ, PX, PXU, QA QAB1, QAB3, QA26, QBT6, QBU2, QD, QE, QFE4, QH, QHE, QHP1, QHQ4, QH26 QIH1, QKA4, QM, QMC6, QMC8, QMD6, QME4, QMH, QNT, QNT2, QNT4, QNZ, QP QPU, QT, QVSH, QWA4, QX, QXB, QXB1, QXC6, QXE, QXE4, QXE6, QXE8, QXU QXW, QXW2, QX26, QX4, Q1, RAC, RD, RD4, REX4, RH, RHQ4, RH26, RMB4, RSK RX, RXE, RXE4, RXU, RX4, R1, SAC, SAD2, SD, SDB1, SDB3, SDN, SDS, WME4 W1
23	90016-Z69-N30	SCREW, RECESSED, 5X25.....	1	-	-	(1)	-----	HHQ4, HX4, LD4, LHQ4, LX4, QHQ4, QXE4, QX4, RD4, RHQ4, RXE4, RX4, SD4 SHQ4, SXE4, SX4, TX4, VHQ4, VSDP, VXE4, VX4 (1) ----- LSJ4, LSS4, QFE4, QKA4, QMC6, QMC8, QMD6, QME4, QNT4, QWA4, REX4, RMB4 SMB4, SMC7, SMC9, SM14, SWG4, SXS4, VGE4, VHH4, VMB3, VMS4, VPM4, VPR4 WKT4, WMBO (1) ----- 3261482 ----- QE, QNT, QXW, RSK, SDS, SE, VSD, VSD1, VXG

Ref. No.	Part No.	Description	Reqd. QTY				Serial No.	Type	
			(1)	(2)	(3)	(4)			
24	90114-SA0-000	NUT, SELF-LOCK, 6MM.....	1	(1)	1	1	-----	ARC6, BIH, HH, HHQ4, HH26, HX, HXE, HXE8, HXU, HX26, HX4, H1, KTA, LAX LD, LDB1, LDB3, LDM, LD4, LH, LHB3, LHQ4, LHW, LSJ4, LSS4, LTA, LVSH LWZ, LX, LXU, LX26, LX4, L1, NW, PH, PHM, PHU, PM, PMZ, PX, PXU, QA, QAB1 QAB3, QA26, QBT6, QBU2, QD, QE, QFE4, QH, QHE, QHP1, QHQ4, QH26, QIH1 QKA4, QM, QMC6, QMC8, QMD6, QME4, QMH, QNT, QNT2, QNT4, QNZ, QP, QPU, QT QVSH, QWA4, QX, QXB, QXB1, QXC6, QXE, QXE4, QXE6, QXE8, QXU, QXW, QXW2 QX26, QX4, Q1, RAC, RD, RD4, REX4, RH, RHQ4, RH26, RMB4, RSK, RX, RXE RXE4, RXU, RX4, R1, SAC, SAD2, SD, SDB1, SDB3, SDN, SDS, SDS2, SDS3 SD16, VXE, VXE4, VXE6, VXM, VXP, VX26, VX4, V1, WIH1, WKT4, WMB0, WME4 W1	
25	90121-ZE1-000	SCREW, LOCK PAN.....	-	(1)	-	-	-----	H1, U1	
	93500-05025-0A	SCREW, PAN, 5X25.....	1	(1)	1	1	-----	2933995 L1, Q1, R1, S1, T1, V1, W1	
	93500-05025-0H	.....	1	(1)	1	-	-----	5048176 BIH, H1, L1, PH, PHM, PHU, PX, PXU, Q1, R1, S1, TH, THU, TX, TXU, TX26, TX4 T1, UH, UX, UXU, U1, VA, VH, VHQ4, VSDP, VVSH, VX, VXE, VXE6, VXP, VX26 V1, WIH1, WMB0, WME4, W1	
	93500-05025-0H	.....	1	(1)	1	-	-----	5048176 VXE4, VXM, VX4	
	93500-05035-0A	SCREW, PAN, 5X35.....	1	-	-	-	2628833	-----	ARC6, HH, HHQ4, HH26, HX, HXE, HXE8, HXU, HX26, HX4, H1, KTA, LAX, LD LDB1, LDB3, LDM, LD4, LH, LHB3, LHQ4, LHW, LSJ4, LTA, LVSH, LWZ, LX, LXU LX26, LX4, L1, NW, PM, PMZ, QA, QAB1, QAB3, QA26, QBT6, QBU2, QD, QE QFE4, QH, QHE, QHP1, QHQ4, QH26, QIH1, QKA4, QM, QMC6, QMC8, QMD6, QME4 QMH, QNT, QNT2, QNT4, QNZ, QP, QPU, QT, QVSH, QWA4, QX, QXB, QXB1, QXC6 QXE, QXE4, QXE6, QXE8, QXU, QX26, QX4, Q1, RD, RD4, REX4, RH, RHQ4, RH26 RMB4, RSK, RX, RXE, RXE4, RXU, RX4, R1, SAD2, SD, SDB1, SDB3, SDN, SDS SDS2, SDS3, SD16, SD4, SE, SH, SHM, SHQ4, SHR4, S1H, SMB4, SMC7, SMC9 SM14, SWG4, SWX, SWZ, SX, SXB, SXE, SXE4, SXS4, SXU, SX4, S1, T1, UIH, U1 VMB3, V1, WKT4, W1
	93500-05035-0A	SCREW, PAN, 5X35.....	1	-	-	-	4913229	-----	RAC, SAC, SEE, STA, VEBM
	90121-ZE0-000	SCREW, LOCK PAN.....	-	(1)	-	-	2933996	-----	EN, ET, ETX, VED, VED1, VED2, VED3, VGE4, VHH4, VIH1, VPM4, VS, VSD, VSX VTD, VTE2, VTU1, VTX, VXG, VXU, VXU1
	93500-05020-0H	SCREW, PAN, 5X20.....	1	-	-	-	6111880	-----	VMS4, VSX1, VS1
	93500-05040-0G	SCREW, PAN, 5X40.....	1	-	-	-	4913230	-----	VPR4
	93500-05025-0H	SCREW, PAN, 5X25.....	1	-	-	-	2628833	-----	L1, Q1, R1, S1, T1, V1, W1
	93500-05032-0H	SCREW, PAN, 5X32.....	1	-	-	-	5048177	-----	QXW, QXW2
	93500-05035-0A	SCREW, PAN, 5X35.....	1	-	-	-	5048025	-----	RAC, SAC, SEE, STA, VEBM
26	90605-230-000	CIRCLIP, 5MM.....	1	(1)	-	-	-----	VXE4, VXM, VX4	
	93500-04006-0H	SCREW, PAN, 4X6.....	1	(1)	-	-	-----	VIH	
	93893-05016-00	SCREW-WASHER, 5X16.....	1	(1)	-	-	-----	VMS4	
26	90605-230-000	CIRCLIP, 5MM.....	1	(1)	-	-	-----	ARC6, H1, KTA, LHW, LSJ4, LSS4, L1, NW, QBU2, QMC8, QMD6, QME4, QNT QNT4, QNZ, QWA4, QXC6, QXW, QXW2, Q1, RAC, RSK, R1, SAC, SAD2, SEE, SHR4 SMC7, SMC9, SM14, STA, S1, T1, U1, VEBM, VMB3, V1, WKT4, W1	
27	93500-04006-0H	SCREW, PAN, 4X6.....	1	(1)	-	-	-----	QNT2	
	93893-05016-00	SCREW-WASHER, 5X16.....	1	(1)	-	-	-----	QNT2	
28	93893-05016-00	SCREW-WASHER, 5X16.....	1	(1)	-	-	-----	SWG4	
	93893-05016-00	SCREW-WASHER, 5X16.....	1	(1)	-	-	-----	2740507 HH, HX, H1, KTA, LD, LH, LTA, LWZ, LX, L1, PM, PMZ, QA, QD, QE, QH, QHE, QM QNT, QT, QX, QXB, QXE, Q1, RAC, RD, RH, RX, RXE, R1, SAC, SD, SDS, SE, SEE SH, STA, SWX, SWZ, SX, SXB, SXE, S1, T1, U1, VEBM, V1, W1	

2

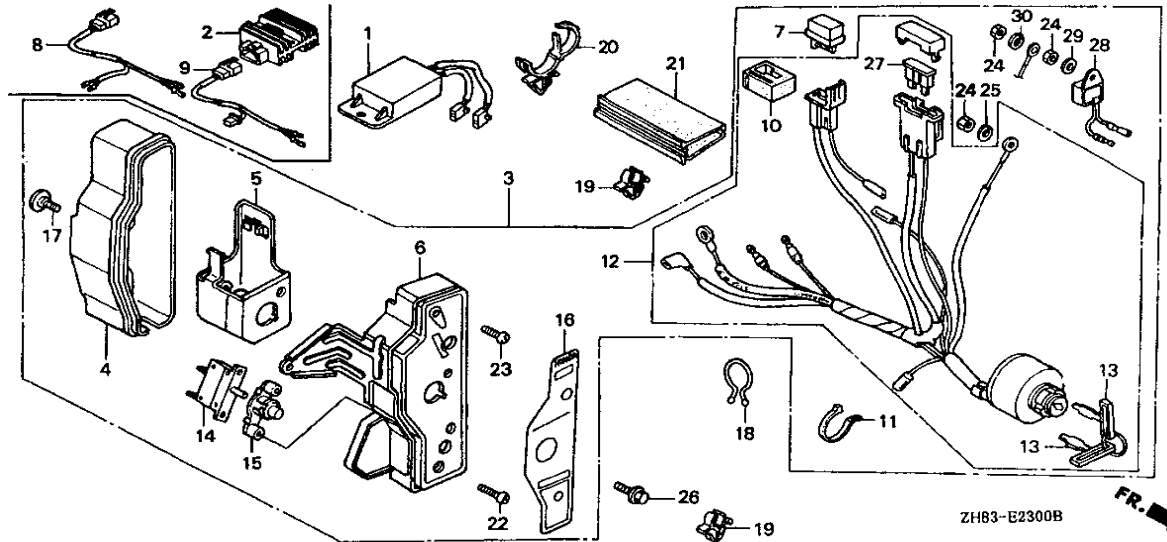


Ref. No.	Part No.	Description	Reqd. QTY				Serial No.	Type	
			(1)	(2)	(3)	(4)			
28)	93500-05016-0A	SCREW, PAN, 5X16.....	1	-	1	-	-----	ARC6, HHQ4, HH26, HXE, HXE8, HXU, HX26, HX4, LAX, LDB1, LDB3, LDM, LD4, LHB3, LHQ4, LHW, LSJ4, LSS4, LVSH, LXU, LX26, LX4, NW, QAB1, QAB3, QA26, QBT6, QBU2, QFE4, QHP1, QHQ4, QH26, QIH1, QKA4, QMC6, QMC8, QMD6, QME4, QMH, QNT2, QNT4, QNZ, QP, QPU, QVSH, QWA4, QXB1, QXC6, QXE4, QXE6, QXE8, QXU, QXW, QXW2, QX26, QX4, RD4, REX4, RHQ4, RH26, RMB4, RSK, RXE4, RXU, RX4, SAD2, SDB1, SDB3, SDN, SDS2, SDS3, SD16, SD4, SHM, SHQ4, SHR4, SIH, SMB4, SMC7, SMC9, SM14, SWG4, SXE4, SXS4, SXU, SX4, UIH, VMB3, WKT4	
			1	(1)	-	-	2740508	-----	HH, HX, H1, KTA, LD, LH, LTA, LWZ, LX, L1, PM, PMZ, QA, QD, QE, QH, QHE, QM, QNT, QT, QX, QXB, QXE, Q1, RAC, RD, RH, RX, RXE, R1, SAC, SD, SDS, SE, SEE, SH, STA, SWX, SWZ, SX, SXB, SXE, S1, T1, U1, VEBM, V1, W1
29	94050-06000	NUT, FLANGE, 6MM.....	1	1	1	1	-----	ARC6, BIH, EN, ET, ETX, HH, HHQ4, HH26, HX, HXE, HXE8, HXU, HX26, HX4, H1, KTA, LAX, LD, LDB1, LDB3, LDM, LD4, LH, LHB3, LHQ4, LHW, LSJ4, LSS4, LTA, LVSH, LWZ, LX, LXU, LX26, LX4, L1, NW, PH, PHM, PHU, PM, PMZ, PX, PXU, QA, QAB1, QAB3, QA26, QBT6, QBU2, QD, QE, QFE4, QH, QHE, QHP1, QHQ4, QH26, QIH1, QKA4, QM, QMC6, QMC8, QMD6, QME4, QMH, QNT, QNT2, QNT4, QNZ, QP, QPU, QT, QVSH, QWA4, QX, QXB, QXB1, QXC6, QXE, QXE4, QXE6, QXE8, QXU, QXW, QXW2, QX26, QX4, Q1, RAC, RD, RD4, REX4, RH, RHQ4, RH26, RMB4, RSK, RX, RXE, RXE4, RXU, RX4, R1, SAC, SAD2, SD, SDB1, SDB3, SDN, SDS, WME4, W1	

K 12

Control box (1)

E - 23

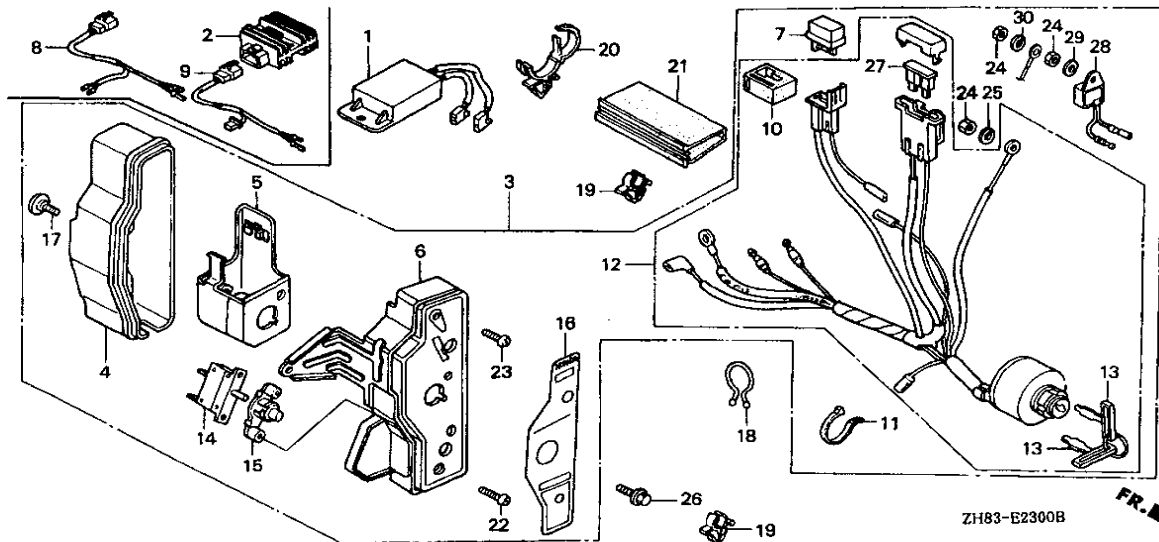


Service Item	F.R.T.
RECTIFIER COMP., REGULATOR.....	0.2
RECTIFIER ASSY., REGULATOR	
PANEL COMP., CONTROL	
HARNES ASSY., SUB WIRE	
SWITCH ASSY., COMBINATION	
PROTECTOR, CIRCUIT	
BOX ASSY., CONTROL.....	0.1
RECTIFIER ASSY., SILICON	
FUSE, BLADE	
ALERT UNIT, OIL	

Ref. No.	Part No.	Description	Reqd. QTY				Serial No.	Type
			(1)	(2)	(3)	(4)		
1	31600-KE1-010	RECTIFIER COMP., REGULATOR....	-	(1)	-	-		
2	31600-ZE2-861	RECTIFIER ASSY., REGULATOR....	1	-	-	-	LAX,QNZ,QXW,QXW2,REX4	
3	31610-ZE1-812ZB	BOX ASSY., CONTROL (EXTERNAL)	1	(1)	-	-	H1,L1,QHE,Q1,R1,SEE,S1,T1,U1,V1,W1	
		*R8*.....BRIGHT RED	1	(1)	-	-		
	31610-ZH8-R92ZA	BOX ASSY., CONTROL (EXP,10A)	1	-	-	-		
		RCM	1	-	-	-	5372718 QXW,REX4	
	31610-ZH8-R93ZA	BOX ASSY., CONTROL (EXP,10A)	1	-	-	-	5372719 QXW,REX4	
		*R8*.....BRIGHT RED	1	-	-	-	5372718 QXW2	
	31610-ZH8-W51ZB	*R8*.....BRIGHT RED	1	-	-	-	5372719 QXW2	
	31610-ZH8-W52ZB	*R8*.....BRIGHT RED	1	-	-	-		
4	31612-ZE2-003	CASE, CONTROL.....	1	(1)	-	-	H1,L1,QHE,QXW,QXW2,Q1,REX4,R1,SEE,S1,T1,U1,V1,W1	
5	31614-ZE2-003	BRACKET, CASE MOUNTING.....	1	(1)	-	-	H1,L1,QHE,QXW,QXW2,Q1,REX4,R1,SEE,S1,T1,U1,V1,W1	
6	31615-ZE1-003ZB	PANEL COMP., CONTROL	1	(1)	-	-	H1,L1,QHE,QXW,QXW2,Q1,REX4,R1,SEE,S1,T1,U1,V1,W1	
		*R8*.....BRIGHT RED	1	(1)	-	-		
7	31700-124-008	RECTIFIER ASSY., SILICON (SHINDENGEN)	1	(1)	-	-	H1,L1,QHE,Q1,R1,SEE,S1,T1,U1,V1,W1	
8	32110-ZB5-630	HARNES ASSY., SUB WIRE.....	1	-	-	-	LAX,QNZ,QXW2,REX4	
			1	-	-	-	2792842 QXW	
9	32110-ZE2-860	HARNES ASSY., SUB WIRE.....	1	-	-	-	2792841 QXW	
10	32127-738-700	SUSPENSION, COUPLER.....	1	(1)	-	-	H1,L1,QHE,Q1,R1,SEE,S1,T1,U1,V1,W1	
11	32902-892-003	BAND.....	1	(1)	-	-	H1,L1,QHE,QXW,QXW2,Q1,REX4,R1,SEE,S1,T1,U1,V1,W1	
12	35100-ZE1-812	SWITCH ASSY., COMBINATION....	1	(1)	-	-	H1,L1,QHE,Q1,R1,SEE,S1,T1,U1,V1,W1	
	35100-ZH8-R90	SWITCH ASSY., COMBINATION (10A CHG/RCM)	1	-	-	-	QXW,QXW2,REX4	
13	35111-880-003	KEY COMP.....	2	(2)	-	-	H1,L1,QHE,QXW,QXW2,Q1,REX4,R1,SEE,S1,T1,U1,V1,W1	
14	38240-VA3-900	PROTECTOR, CIRCUIT (1.0A)....	1	(1)	-	-	H1,L1,QHE,Q1,R1,SEE,S1,T1,U1,V1,W1	

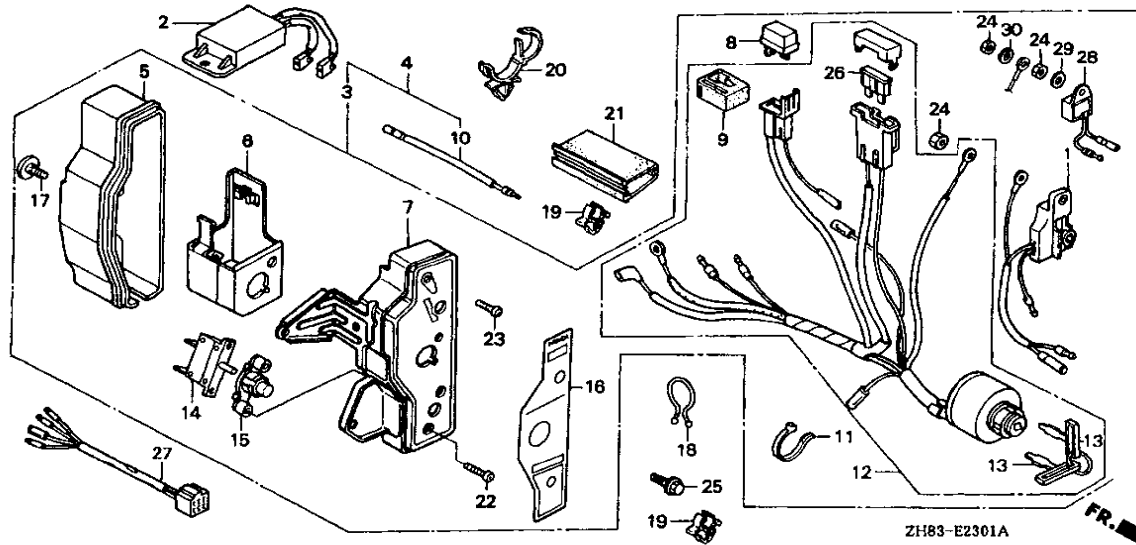
1999.07.20 E

2



Service Item F.R.T.

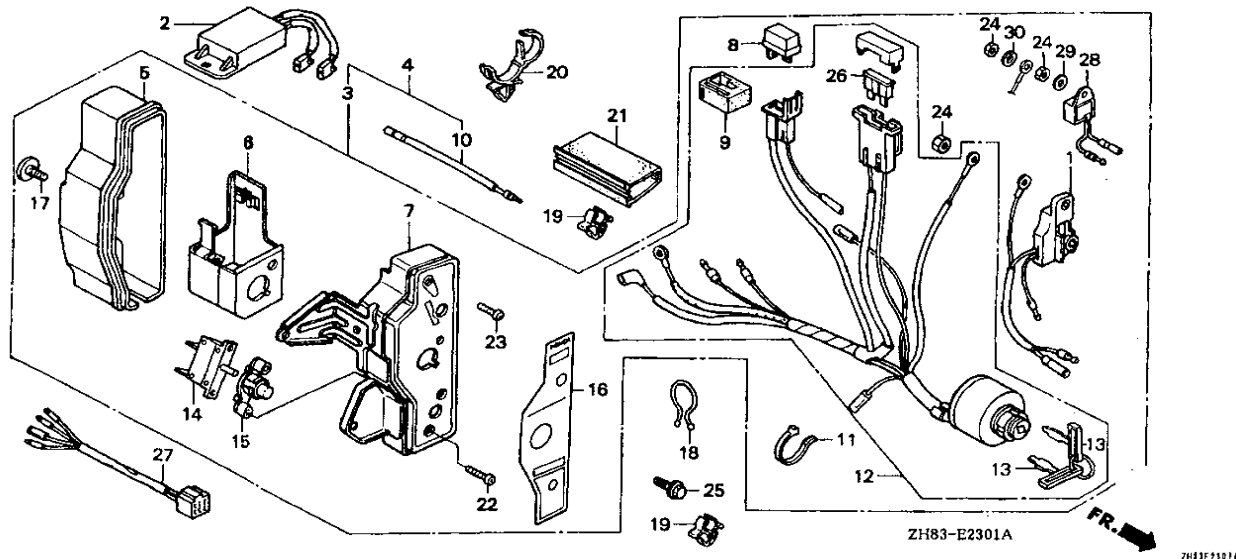
Ref. No.	Part No.	Description	Reqd. QTY				Serial No.	Type
			(1)	(2)	(3)	(4)		
15	38250-ZA8-701	LENS ASSY., PROTECTOR.....	1	(1)	-	-	H1,L1,QHE,Q1,R1,SEE,S1,T1,U1,V1,W1	
16	87529-ZE2-811	PANEL, CONTROL BOX (EXTERNAL)	1	(1)	-	-	H1,L1,QHE,Q1,R1,SEE,S1,T1,U1,V1,W1	
	87529-ZE2-860	MARK, CONTROL BOX (EXTERNAL-REGULATOR)	1	-	-	3264017	QXW QXW2	
	87529-ZH8-W40	MARK, CONTROL BOX (ENGLISH)...	1	-	-	3264018	QXW REX4	
17	90380-MA6-010	SCREW, SPECIAL, 6X12.....	1	(1)	-	-	H1,L1,QHE,QXW,QXW2,Q1,REX4,R1,SEE,S1,T1,U1,V1,W1	
18	90630-751-000	CLIP, PURSE LOCK.....	1	(1)	-	-	H1,L1,QHE,QXW,QXW2,Q1,REX4,R1,SEE,S1,T1,U1,V1,W1	
19	90682-ZE1-000	CLIP, CORD.....	2	(2)	-	-	H1,L1,QHE,QXW,QXW2,Q1,REX4,R1,SEE,S1,T1,U1,V1,W1	
20	90690-SA0-003	STRAP, WIRE HARNESS, 25MM (BLACK)	1	(1)	-	-	H1,L1,QHE,QXW,QXW2,Q1,REX4,R1,SEE,S1,T1,U1,V1,W1	
21	91406-ZE2-003	TUBE, FASTENER, 30MM.....	1	(1)	-	-	H1,L1,QHE,QXW,QXW2,Q1,REX4,R1,SEE,S1,T1,U1,V1,W1	
22	93500-03012-0H	SCREW, PAN, 3X12.....	2	(2)	-	-	H1,L1,QHE,Q1,R1,SEE,S1,T1,U1,V1,W1	
23	93500-04012-0H	SCREW, PAN, 4X12.....	1	(1)	-	-	H1,L1,QHE,QXW,QXW2,Q1,REX4,R1,SEE,S1,T1,U1,V1,W1	
24	94001-04390-0S	NUT, HEX., 4MM.....	1	(1)	-	-	H1,L1,QHE,Q1,R1,SEE,S1,T1,U1,V1,W1	
			1	-	-	5372718	QXW,QXW2,REX4	
			2	-	-	5372719	QXW,QXW2,REX4	
25	94111-04800	WASHER, SPRING, 4MM.....	1	-	-	-	QXW,QXW2,REX4	
26	95701-06010-00	BOLT, FLANGE, 6X10.....	1	(1)	-	-	H1,L1,QHE,QXW,QXW2,Q1,REX4,R1,SEE,S1,T1,U1,V1,W1	
27	98200-30500	FUSE, BLADE (5A).....	1	(1)	-	-	H1,L1,QHE,Q1,R1,SEE,S1,T1,U1,V1,W1	
	98200-31500	FUSE, BLADE (15A).....	1	-	-	-	QXW,QXW2,REX4	
28	34150-ZH7-003	ALERT UNIT, OIL.....	1	-	-	5372719	QXW,QXW2,REX4	
29	94101-04800	WASHER, PLAIN, 4MM.....	1	-	-	5372719	QXW,QXW2,REX4	
30	94111-04800	WASHER, SPRING, 4MM.....	1	-	-	5372719	QXW,QXW2,REX4	



Service Item	F.R.T.
ALERT UNIT, OIL.....	0.2
.RECTIFIER COMP., REGULATOR	
.PANEL COMP., CONTROL	
.SWITCH ASSY., COMBINATION	
.PROTECTOR, CIRCUIT	
BOX ASSY., CONTROL.....	0.1
.RECTIFIER ASSY., SILICON	
.SUB HARNESS	
.FUSE, BLADE	
.HARNESS ASSY., SUB WIRE	

Ref. No.	Part No.	Description	Reqd. QTY				Serial No.	Type
			(1)	(2)	(3)	(4)		
1	15520-ZE1-822	ALERT UNIT, OIL.....	1	(1)	-	-	2468252	H1,L1,QXE,Q1,RXE,R1,SXE,S1,T1,U1,VXE,V1,W1
2	31600-KE1-010	RECTIFIER COMP., REGULATOR....	-	(1)	-	-		
3	31610-ZE1-833ZB	BOX ASSY., CONTROL (EXP-ALERT) *R8*.....BRIGHT RED	1	(1)	-	-	2468252	H1,L1,QXE,Q1,RXE,R1,SXE,S1,T1,U1,VXE,V1,W1
4	31610-ZE1-834ZB	BOX ASSY., CONTROL (EXP-ALERT) *R8*.....BRIGHT RED	1	-	-	-	5372718	HXE,QXE6,VXE6
			1	(1)	-	-	2468253	H1,L1,Q1,R1,S1,T1,U1,VXE,V1,W1
			1	-	-	-	2468253	5372718 QXE,RXE,SXE
	31610-ZK8-W41ZA	BOX ASSY., CONTROL (EXTERNAL-ALERT) *R8*.....BRIGHT RED	1	-	-	-	5372718	QKA4,QXE4,RXE4,SXE4,VXE4
	31610-ZE1-835ZB	BOX ASSY., CONTROL (EXP-ALERT) *R8*.....BRIGHT RED	1	-	-	-	5372719	HXE,QXE,QXE6,RXE,SXE,VXE6
			1	-	-	-		HXE8,QXE8
	31610-ZK8-W42ZA	*R8*.....BRIGHT RED	1	-	-	-	5372719	QKA4,QXE4,RXE4,SXE4,VXE4
5	31612-ZE2-003	CASE, CONTROL.....	1	(1)	-	-		HXE,HXE8,H1,L1,QKA4,QXE,QXE4,QXE6,QXE8,Q1,RXE,RXE4,R1,SXE SXE4,S1,T1,U1,VXE,VXE4,VXE6,V1,W1
6	31614-ZE2-003	BRACKET, CASE MOUNTING.....	1	(1)	-	-		HXE,HXE8,H1,L1,QKA4,QXE,QXE4,QXE6,QXE8,Q1,RXE,RXE4,R1,SXE SXE4,S1,T1,U1,VXE,VXE4,VXE6,V1,W1
7	31615-ZE1-003ZB	PANEL COMP., CONTROL *R8*.....BRIGHT RED	1	(1)	-	-		HXE,HXE8,H1,L1,QKA4,QXE,QXE4,QXE6,QXE8,Q1,RXE,RXE4,R1,SXE SXE4,S1,T1,U1,VXE,VXE4,VXE6,V1,W1
8	31700-124-008	RECTIFIER ASSY., SILICON (SHINDENGEN)	1	(1)	-	-		HXE,HXE8,H1,L1,QKA4,QXE,QXE4,QXE6,QXE8,Q1,RXE,RXE4,R1,SXE SXE4,S1,T1,U1,VXE,VXE4,VXE6,V1,W1
9	32127-738-700	SUSPENSION, COUPLER.....	1	(1)	-	-		HXE,HXE8,H1,L1,QKA4,QXE,QXE4,QXE6,QXE8,Q1,RXE,RXE4,R1,SXE SXE4,S1,T1,U1,VXE,VXE4,VXE6,V1,W1





Service Item F.R.T.

Ref. No.	Part No.	Description	Read. QTY				Serial No.	Type
			(1)	(2)	(3)	(4)		
10	32197-ZE1-003	SUB HARNESS.....	1	-	-	-	HXE,HXE8,QKA4,QXE4,QXE6,QXE8,RXE4,SXE4,VXE4,VXE6 H1,L1,QXE,Q1,RXE,R1,SXE,S1,T1,U1,VXE,V1,W1	
11	32902-892-003	BAND.....	1	(1)	-	-	HXE,HXE8,H1,L1,QKA4,QXE,QXE4,QXE6,QXE8,Q1,RXE,RXE4,R1,SXE SXE4,S1,T1,U1,VXE,VXE4,VXE6,V1,W1	
12	35100-ZE1-812	SWITCH ASSY., COMBINATION.....	1	(1)	-	-	HXE,HXE8,H1,L1,QKA4,QXE,QXE4,QXE6,QXE8,Q1,RXE,RXE4,R1,SXE SXE4,S1,T1,U1,VXE,VXE4,VXE6,V1,W1	
13	35111-880-003	KEY COMP.....	2	(2)	-	-	HXE,HXE8,H1,L1,QKA4,QXE,QXE4,QXE6,QXE8,Q1,RXE,RXE4,R1,SXE SXE4,S1,T1,U1,VXE,VXE4,VXE6,V1,W1	
14	38240-VA3-900	PROTECTOR, CIRCUIT (1.0A).....	1	(1)	-	-	HXE,HXE8,H1,L1,QKA4,QXE,QXE4,QXE6,QXE8,Q1,RXE,RXE4,R1,SXE SXE4,S1,T1,U1,VXE,VXE4,VXE6,V1,W1	
15	38250-ZA8-701	LENS ASSY., PROTECTOR.....	1	(1)	-	-	HXE,HXE8,H1,L1,QKA4,QXE,QXE4,QXE6,QXE8,Q1,RXE,RXE4,R1,SXE SXE4,S1,T1,U1,VXE,VXE4,VXE6,V1,W1	
16	87529-ZE2-831	PANEL, CONTROL BOX (EXTERNAL-ALERT)	1	(1)	-	-	2468252 H1,L1,QXE,Q1,RXE,R1,SXE,S1,T1,U1,VXE,V1,W1	
	87529-ZH9-W40	MARK, CONTROL BOX (ENGLISH)...	1	-	-	-	QKA4,QXE4,RXE4,SXE4,VXE4	
	87529-ZE2-811	PANEL, CONTROL BOX (EXTERNAL)	1	-	-	-	HXE,HXE8,QXE6,QXE8,VXE6	
17	90380-MA6-010	SCREW, SPECIAL, 6X12.....	1	(1)	-	-	2468253 H1,L1,QXE,Q1,RXE,R1,SXE,S1,T1,U1,VXE,V1,W1	
18	90630-751-000	CLIP, PURSE LOCK.....	1	(1)	-	-	HXE,HXE8,H1,L1,QKA4,QXE,QXE4,QXE6,QXE8,Q1,RXE,RXE4,R1,SXE SXE4,S1,T1,U1,VXE,VXE4,VXE6,V1,W1	
19	90682-ZE1-000	CLIP, CORD.....	2	(2)	-	-	HXE,HXE8,H1,L1,QKA4,QXE,QXE4,QXE6,QXE8,Q1,RXE,RXE4,R1,SXE SXE4,S1,T1,U1,VXE,VXE4,VXE6,V1,W1	
20	90690-SA0-003	STRAP, WIRE HARNESS, 25MM (BLACK)	1	(1)	-	-	HXE,HXE8,H1,L1,QKA4,QXE,QXE4,QXE6,QXE8,Q1,RXE,RXE4,R1,SXE SXE4,S1,T1,U1,VXE,VXE4,VXE6,V1,W1	



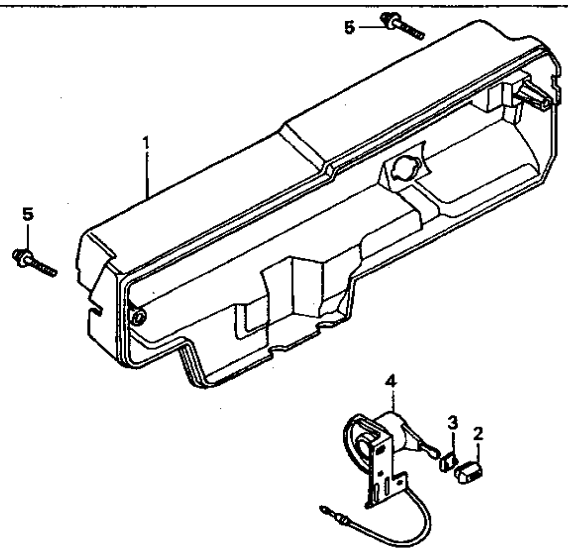
Ref. No.	Part No.	Description	Reqd. QTY				Serial No.	Type	
			(1)	(2)	(3)	(4)			
21	91406-ZE2-003	TUBE, FASTENER, 30MM.....	1	(1)	-	-	-----	HXE,HXE8,H1,L1,QKA4,QXE,QXE4,QXE6,QXE8,Q1,RXE,RXE4,R1,SXE SXE4,S1,T1,U1,VXE,VXE4,VXE6,V1,W1	
22	93500-03012-0H	SCREW, PAN, 3X12.....	2	(2)	-	-	-----	HXE,HXE8,H1,L1,QKA4,QXE,QXE4,QXE6,QXE8,Q1,RXE,RXE4,R1,SXE SXE4,S1,T1,U1,VXE,VXE4,VXE6,V1,W1	
23	93500-04012-0H	SCREW, PAN, 4X12.....	1	(1)	-	-	-----	HXE,HXE8,H1,L1,QKA4,QXE,QXE4,QXE6,QXE8,Q1,RXE,RXE4,R1,SXE SXE4,S1,T1,U1,VXE,VXE4,VXE6,V1,W1	
24	94001-04390-0S	NUT, HEX., 4MM.....	1	-	-	-	-----	5372718	HXE,QKA4,QXE,QXE4,QXE6,RXE,RXE4,SXE,SXE4,VXE4,VXE6
			1	(1)	-	-	-----	-----	H1,L1,Q1,R1,S1,T1,U1,VXE,V1,W1
			2	-	-	-	-----	5372719	HXE,QKA4,QXE,QXE4,QXE6,RXE,RXE4,SXE,SXE4,VXE4,VXE6 HXE8,QXE8
25	95701-06010-00	BOLT, FLANGE, 6X10.....	1	(1)	-	-	-----	-----	HXE,HXE8,H1,L1,QKA4,QXE,QXE4,QXE6,QXE8,Q1,RXE,RXE4,R1,SXE SXE4,S1,T1,U1,VXE,VXE4,VXE6,V1,W1
			1	(1)	-	-	-----	-----	-----
26	98200-30500	FUSE, BLADE (5A).....	1	(1)	-	-	-----	-----	HXE,HXE8,H1,L1,QKA4,QXE,QXE4,QXE6,QXE8,Q1,RXE,RXE4,R1,SXE SXE4,S1,T1,U1,VXE,VXE4,VXE6,V1,W1
27	32110-ZH8-W00	HARNESS ASSY., SUB WIRE.....	-	(1)	-	-	-----	-----	L1,Q1,R1,S1,T1,V1,W1
28	34150-ZH7-003	ALERT UNIT, OIL.....	1	-	-	-	-----	5372719	HXE,QKA4,QXE,QXE4,QXE6,RXE,RXE4,SXE,SXE4,VXE4,VXE6 HXE8,QXE8
			1	-	-	-	-----	-----	-----
29	94101-04800	WASHER, PLAIN, 4MM.....	1	-	-	-	-----	5372719	HXE,QKA4,QXE,QXE4,QXE6,RXE,RXE4,SXE,SXE4,VXE4,VXE6 HXE8,QXE8
			1	-	-	-	-----	-----	-----
30	94111-04800	WASHER, SPRING, 4MM.....	1	-	-	-	-----	5372719	HXE,QKA4,QXE,QXE4,QXE6,RXE,RXE4,SXE,SXE4,VXE4,VXE6 HXE8,QXE8
			1	-	-	-	-----	-----	-----

**2**

L 1

Control case/ Engine switch

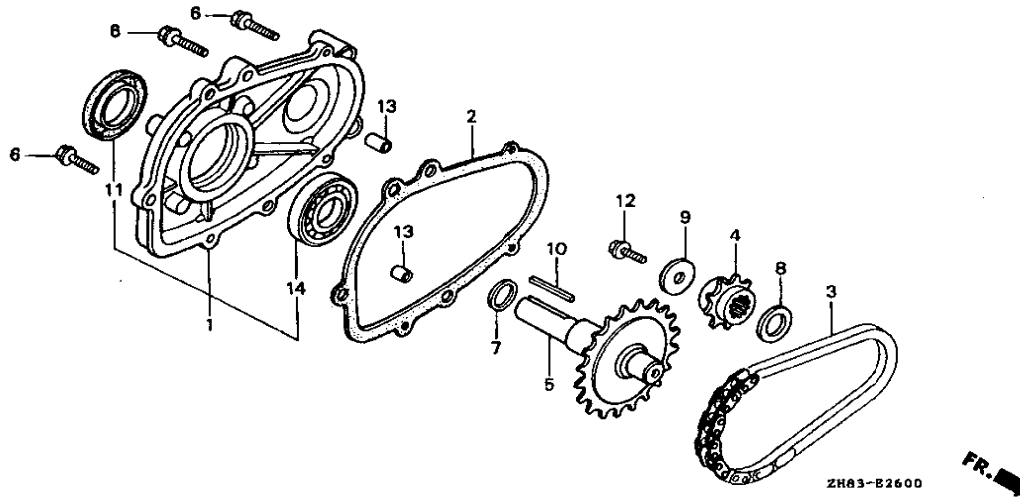
E - 23 - 2



ZH03-R2302

Service Item	F.R.T.
CASE, CONTROL.....	0.2
SWITCH ASSY., ENGINE	

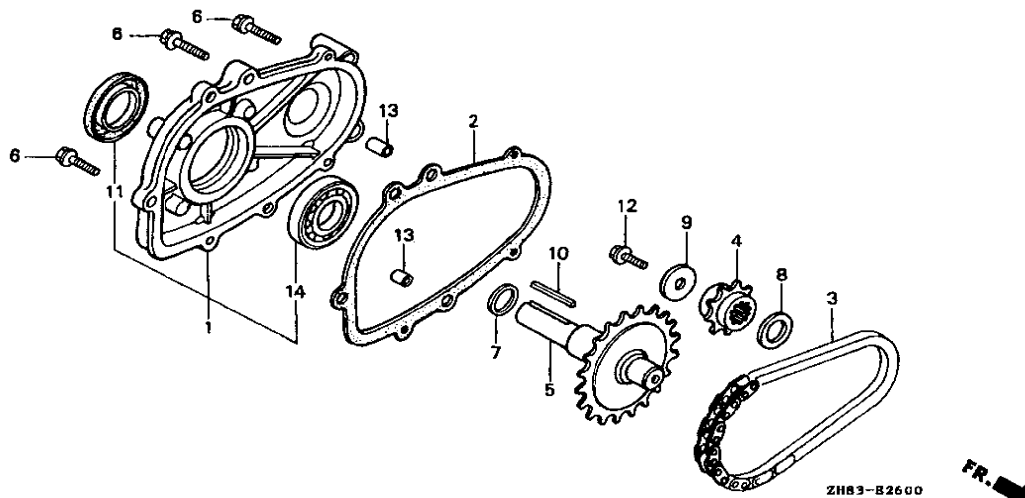
Ref. No.	Part No.	Description	Reqd. QTY				Serial No.	Type
			GX100K1					
			(1)	(2)	(3)	(4)		
1	31425-ZB2-000ZA	CASE, CONTROL *R8*.....BRIGHT RED	1	-	-	-	-----	VED2
2	32343-892-003	KNOB, COCK LEVER.....	1	-	-	-	3477005	VED2
3	36106-892-003	BUSH, CONTROL KNOB.....	1	-	-	-	3477005	VED2
4	36110-ZB2-003	SWITCH ASSY., ENGINE.....	1	-	-	-	3477005	VED2
5	93891-06040-00	SCREW-WASHER, 6X40.....	2	-	-	-	2535074 3477005	VED3



Service Item	F.R.T.
COVER ASSY., CHAIN CASE.....	0.2
.PACKING, CHAIN CASE COVER	
.OIL SEAL, 25X41X6	
CHAIN, P.T.O. DRIVE.....	0.3
.SPROCKET, DRIVE	
.SHAFT, P.T.O.	
.BEARING, RADIAL BALL, 6205	

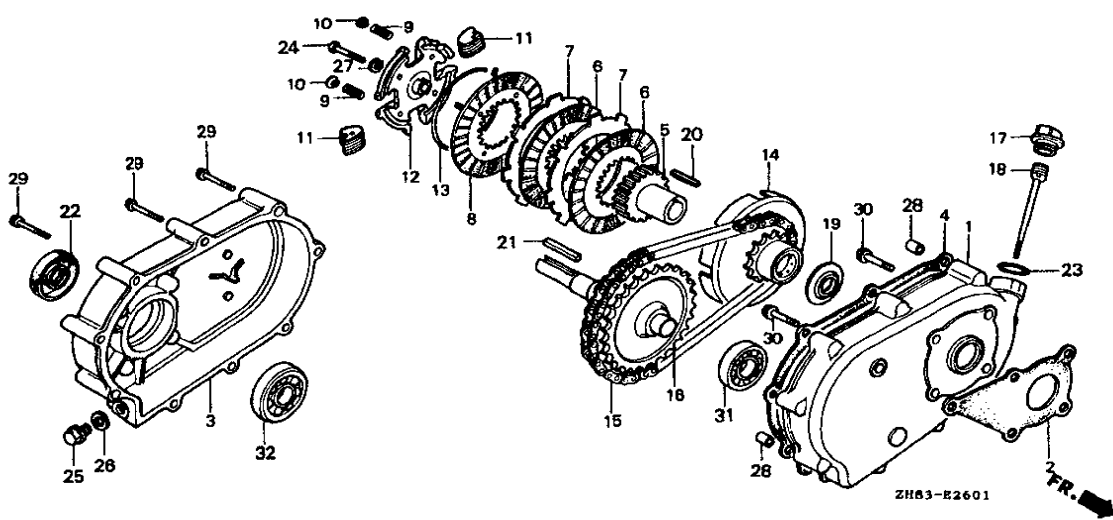
2

Ref. No.	Part No.	Description	Reqd. QTY				Serial No.	Type
			(1)	(2)	(3)	(4)		
1	11500-ZE1-610	COVER ASSY., CHAIN CASE.....	1	1	1		LAX,LD,LDB1,LDB3,LDM,LD4,LH,LHB3,LHQ4,LHW,LSJ4,LSS4,LTA LVSH,LWZ,LX,LXU,LX26,LX4,L1	
2	11521-ZE1-610	PACKING, CHAIN CASE.....	1	-	-	2630823	LTA,LWZ L1	
	11521-ZH8-800	PACKING, CHAIN CASE COVER.....	1	(1)	1		LAX,LD,LDB1,LDB3,LDM,LD4,LH,LHB3,LHQ4,LHW,LSJ4,LSS4,LVSH,LX LXU,LX26,LX4,L1	
3	14411-ZE1-611	CHAIN, P.T.O. DRIVE.....	1	1	-	2630824	LTA,LWZ	
	14411-ZF1-611	.....	1	-	1		LAX,LD,LDB1,LDB3,LDM,LD4,LH,LHB3,LHQ4,LHW,LSJ4,LSS4,LX,LXU LX26,LX4,L1	
4	23110-ZE1-610	SPROCKET, DRIVE (13T).....	1	1	1		LTA,LVSH,LWZ	
5	23710-ZE1-613	SHAFT, P.T.O.....	1	1	1		LAX,LD,LDB1,LDB3,LDM,LD4,LH,LHB3,LHQ4,LHW,LSJ4,LSS4,LTA LVSH,LWZ,LX,LXU,LX26,LX4,L1	
6	90015-883-000	BOLT, FLANGE, 6X28.....	5	5	5		LAX,LD,LDB1,LDB3,LDM,LD4,LH,LHB3,LHQ4,LHW,LSJ4,LSS4,LTA LVSH,LWZ,LX,LXU,LX26,LX4,L1	
7	90456-ZE1-000	SPRING, THRUST.....	1	1	1		LAX,LD,LDB1,LDB3,LDM,LD4,LH,LHB3,LHQ4,LHW,LSJ4,LSS4,LTA LVSH,LWZ,LX,LXU,LX26,LX4,L1	
8	90470-ZE1-000	SPACER, 20MM.....	1	1	1		LAX,LD,LDB1,LDB3,LDM,LD4,LH,LHB3,LHQ4,LHW,LSJ4,LSS4,LTA LVSH,LWZ,LX,LXU,LX26,LX4,L1	
9	90471-ZE1-610	WASHER, 8MM.....	1	1	1		LAX,LD,LDB1,LDB3,LDM,LD4,LH,LHB3,LHQ4,LHW,LSJ4,LSS4,LTA LVSH,LWZ,LX,LXU,LX26,LX4,L1	
10	90741-883-810	KEY, 5X5X33.....	1	(1)	1		LAX,LD,LDB1,LDB3,LDM,LD4,LH,LHB3,LHQ4,LSJ4,LSS4,LTA,LVSH LWZ,LX,LXU,LX26,LX4,L1	
11	91202-883-005	OIL SEAL, 25X41X6.....	1	1	1		LAX,LD,LDB1,LDB3,LDM,LD4,LH,LHB3,LHQ4,LHW,LSJ4,LSS4,LTA LVSH,LWZ,LX,LXU,LX26,LX4,L1	
12	92000-08025-0A	BOLT, HEX., 8X25.....	1	1	-		LD,LH,LTA,LWZ,LX,LXU,L1	



Service Item F.R.T.

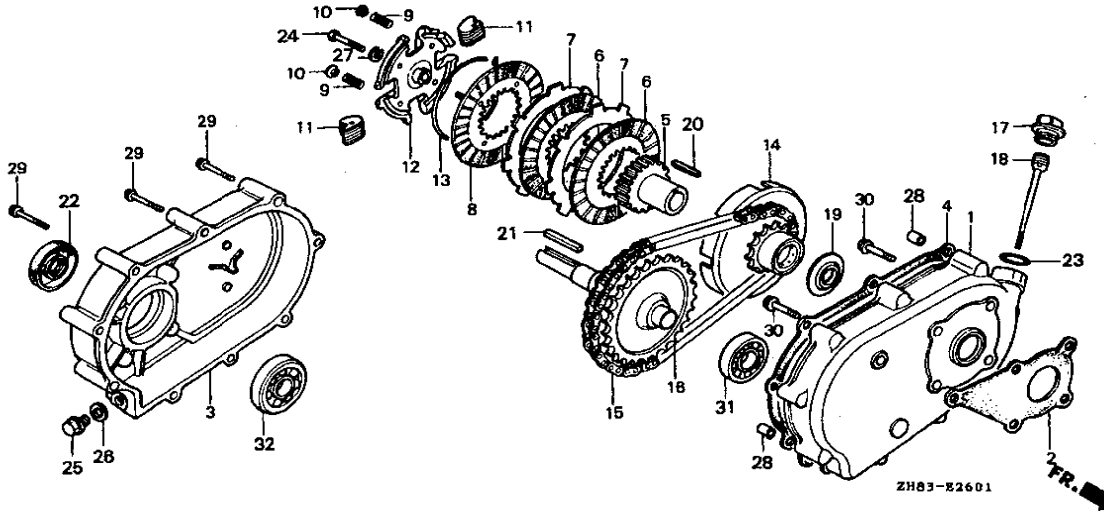
Ref. No.	Part No.	Description	Reqd. QTY				Serial No.	Type
			(1)	(2)	(3)	(4)		
12)	92101-08025-0A	BOLT, HEX., 8X25.....	1	-	1	-	-----	LAX,LDB1,LDB3,LDM,LD4,LHB3,LHQ4,LHW,LSJ4,LSS4,LVSH,LX26,LX4
13	94301-08140	PIN, DOWEL, 8X14.....	2	2	2	-	-----	LAX,LD,LDB1,LDB3,LDM,LD4,LH,LHB3,LHQ4,LHW,LSJ4,LSS4,LTA LVSH,LWZ,LX,LXU,LX26,LX4,L1
14	96100-62050-00	BEARING, RADIAL BALL, 6205....	1	1	1	-	-----	LAX,LD,LDB1,LDB3,LDM,LD4,LH,LHB3,LHQ4,LHW,LSJ4,LSS4,LTA LVSH,LWZ,LX,LXU,LX26,LX4,L1



Service Item	F.R.T.
CASE, REDUCTION.....	0.3
.COVER, REDUCTION	
.PACKING, REDUCTION COVER	
.DISK, CLUTCH FRICTION	
.PLATE, CLUTCH	
.CHAIN, DRIVE	
.SHAFT COMP., P.T.O.	
.OIL SEAL	
PACKING, REDUCTION CASE.....	0.2
BEARING, RADIAL BALL, 6205.....	0.4
.BEARING, RADIAL BALL, 6206	

Ref. No.	Part No.	Description	Reqd. QTY				Serial No.	Type
			(1)	(2)	(3)	(4)		
1	21510-883-621	CASE, REDUCTION.....	1	1	-	-	RAC, RD, RD4, REX4, RH, RHQ4, RH26, RMB4, RSK, RX, RXE, RXE4, RXU, RX4 R1	
2	21591-ZH8-620	PACKING, REDUCTION CASE.....	1	1	-	-	RAC, RD, RD4, REX4, RH, RHQ4, RH26, RMB4, RSK, RX, RXE, RXE4, RXU, RX4 R1	
3	21610-822-611	COVER, REDUCTION.....	1	1	-	-	RAC, RD, RD4, REX4, RH, RHQ4, RH26, RMB4, RSK, RX, RXE, RXE4, RXU, RX4 R1	
4	21691-ZH8-800	PACKING, REDUCTION COVER.....	1	1	-	-	RAC, RD, RD4, REX4, RH, RHQ4, RH26, RMB4, RSK, RX, RXE, RXE4, RXU, RX4 R1	
5	22121-883-620	CENTER, CLUTCH.....	1	1	-	-	RAC, RD, RD4, REX4, RH, RHQ4, RH26, RMB4, RSK, RX, RXE, RXE4, RXU, RX4 R1	
6	22201-822-610	DISK, CLUTCH FRICTION.....	2	2	-	-	RAC, RD, RD4, REX4, RH, RHQ4, RH26, RMB4, RSK, RX, RXE, RXE4, RXU, RX4 R1	
7	22311-822-610	PLATE, CLUTCH.....	2	2	-	-	RAC, RD, RD4, REX4, RH, RHQ4, RH26, RMB4, RSK, RX, RXE, RXE4, RXU, RX4 R1	
8	22350-822-610	PLATE COMP., CLUTCH PRESSURE..	1	1	-	-	RAC, RD, RD4, REX4, RH, RHQ4, RH26, RMB4, RSK, RX, RXE, RXE4, RXU, RX4 R1	
9	22411-822-611	SPRING, CLUTCH FREE.....	4	4	-	-	RAC, RD, RD4, REX4, RH, RHQ4, RH26, RMB4, RSK, RX, RXE, RXE4, RXU, RX4 R1	
10	22421-822-610	HOLDER, CLUTCH SPRING.....	4	4	-	-	RAC, RD, RD4, REX4, RH, RHQ4, RH26, RMB4, RSK, RX, RXE, RXE4, RXU, RX4 R1	
11	22521-822-610	WEIGHT, CLUTCH.....	48	48	-	-	RAC, RD, RD4, REX4, RH, RHQ4, RH26, RMB4, RSK, RX, RXE, RXE4, RXU, RX4 R1	
12	22531-883-620	HOLDER, CLUTCH WEIGHT.....	1	1	-	-	RAC, RD, RD4, REX4, RH, RHQ4, RH26, RMB4, RSK, RX, RXE, RXE4, RXU, RX4 R1	
13	22535-822-610	CENTER, CLUTCH WEIGHT.....	1	1	-	-	RAC, RD, RD4, REX4, RH, RHQ4, RH26, RMB4, RSK, RX, RXE, RXE4, RXU, RX4 R1	





Service Item F.R.T.

ZHJE1111

Ref. No.	Part No.	Description	Reqd. QTY				Serial No.	Type
			(1)	(2)	(3)	(4)		
14	23120-883-620	SPROCKET COMP., DRIVE.....	1	1	-	-	RAC, RD, RD4, REX4, RH, RHQ4, RH26, RMB4, RSK, RX, RXE, RXE4, RXU, RX4 R1	
15	23161-822-610	CHAIN, DRIVE.....	1	1	-	-	2389561 RAC, RD, RH, RX, RXE, R1	
	23161-822-611	CHAIN, DRIVE (RK428SH-36LE)...	1	1	-	-	2389562 RAC, RD, RH, RX, RXE, R1	
			1	-	-	-	RD4, REX4, RHQ4, RH26, RMB4, RSK, RXE4, RXU, RX4	
16	23711-822-610	SHAFT COMP., P.T.O. (28T).....	1	1	-	-	RAC, RD, RD4, REX4, RH, RHQ4, RH26, RMB4, RSK, RX, RXE, RXE4, RXU, RX4 R1	
17	25620-805-611	CAP, REDUCTION OIL.....	1	1	-	-	RAC, RD, RD4, REX4, RH, RHQ4, RH26, RMB4, RSK, RX, RXE, RXE4, RXU, RX4 R1	
18	25651-883-621	GAUGE, OIL LEVEL.....	1	1	-	-	RAC, RD, RD4, REX4, RH, RHQ4, RH26, RMB4, RSK, RX, RXE, RXE4, RXU, RX4 R1	
19	90403-883-620	WASHER, THRUST, 20MM.....	1	1	-	-	RAC, RD, RD4, REX4, RH, RHQ4, RH26, RMB4, RSK, RX, RXE, RXE4, RXU, RX4 R1	
20	90741-883-621	KEY, 5MM.....	1	1	-	-	RAC, RD, RD4, REX4, RH, RHQ4, RH26, RMB4, RSK, RX, RXE, RXE4, RXU, RX4 R1	
21	90741-889-810	KEY, 7X7X33 (YELLOW).....	1	1	-	-	RD, RD4, REX4, RH, RHQ4, RH26, RMB4, RX, RXE, RXE4, RXU, RX4, R1	
22	91202-805-610	OIL SEAL (PJ30507).....	1	1	-	-	RAC, RD, RD4, REX4, RH, RHQ4, RH26, RMB4, RSK, RX, RXE, RXE4, RXU, RX4 R1	
23	91301-805-000	O-RING, 26X2.7.....	1	1	-	-	RAC, RD, RD4, REX4, RH, RHQ4, RH26, RMB4, RSK, RX, RXE, RXE4, RXU, RX4 R1	
24	92000-08035-0A	BOLT, HEX., 8X35.....	1	1	-	-	RAC, RD, RH, RX, RXE, RXU, R1	
	92101-08035-0A	.....	1	-	-	-	RD4, REX4, RHQ4, RH26, RMB4, RSK, RXE4, RX4	
25	92800-12000	BOLT, DRAIN PLUG, 12MM.....	1	1	-	-	RAC, RD, RD4, REX4, RH, RHQ4, RH26, RMB4, RSK, RX, RXE, RXE4, RXU, RX4 R1	
26	94109-12000	WASHER, DRAIN PLUG, 12MM.....	1	1	-	-	RAC, RD, RD4, REX4, RH, RHQ4, RH26, RMB4, RSK, RX, RXE, RXE4, RXU, RX4 R1	

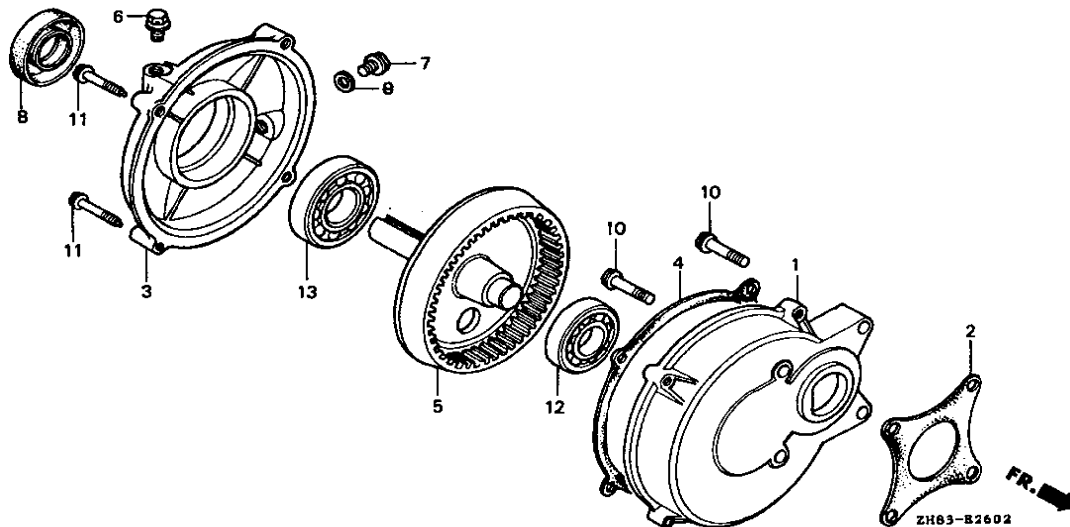
**L 6**

Reduction (2)

**E - 26 - 1**

Ref. No.	Part No.	Description	Reqd. QTY				Serial No.	Type
			(1)	(2)	(3)	(4)		
27	94111-08000	WASHER, SPRING, 8MM.....	1	1	-	-	-----	RAC, RD, RD4, REX4, RH, RHQ4, RH26, RMB4, RSK, RX, RXE, RXE4, RXU, RX4 R1
28	94301-08100	PIN, DOWEL, 8X10.....	2	2	-	-	-----	RAC, RD, RD4, REX4, RH, RHQ4, RH26, RMB4, RSK, RX, RXE, RXE4, RXU, RX4 R1
29	95700-06055-00	BOLT, FLANGE, 6X55.....	9	9	-	-	-----	RAC, RD, RH, RX, RXE, RXU, R1
	95701-06055-00	.....	9	-	-	-	-----	RD4, REX4, RHQ4, RH26, RMB4, RSK, RXE4, RX4
30	95700-08022-00	BOLT, FLANGE, 8X22.....	5	5	-	-	-----	RAC, RD, RH, RX, RXE, RXU, R1
	95701-08022-00	.....	5	-	-	-	-----	RD4, REX4, RHQ4, RH26, RMB4, RSK, RXE4, RX4
31	96100-62050-00	BEARING, RADIAL BALL, 6205....	1	1	-	-	-----	RAC, RD, RD4, REX4, RH, RHQ4, RH26, RMB4, RSK, RX, RXE, RXE4, RXU, RX4 R1
32	96100-62060-00	BEARING, RADIAL BALL, 6206....	1	1	-	-	-----	RAC, RD, RD4, REX4, RH, RHQ4, RH26, RMB4, RSK, RX, RXE, RXE4, RXU, RX4 R1

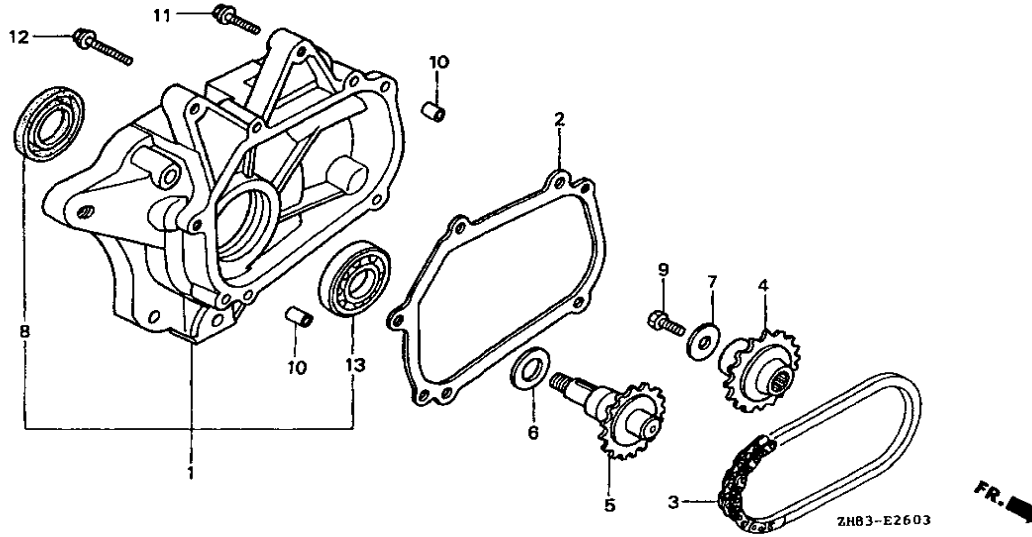
**2**



Service Item	F.R.T.
CASE, REDUCTION.....	0.2
.PACKING, REDUCTION CASE	
.COVER, REDUCTION	
.SHAFT, P.T.O.	
.OIL SEAL, 25X41X6	
.BEARING, RADIAL BALL, 6305	
BEARING, RADIAL BALL, 6204.....	0.3

Ref. No.	Part No.	Description	Reqd. QTY				Serial No.	Type
			(1)	(2)	(3)	(4)		
1	21521-883-741	CASE, REDUCTION.....	1	1	-	-	HH,HHQ4,HH26,HX,HXE,HXE8,HXU,HX26,HX4,H1	
2	21591-ZH8-740	PACKING, REDUCTION CASE.....	1	1	-	-	HH,HHQ4,HH26,HX,HXE,HXE8,HXU,HX26,HX4,H1	
3	21621-883-741	COVER, REDUCTION.....	1	1	-	-	HH,HHQ4,HH26,HX,HXE,HXE8,HXU,HX26,HX4,H1	
4	21692-ZH8-800	PACKING, REDUCTION COVER.....	1	1	-	-	HH,HHQ4,HH26,HX,HXE,HXE8,HXU,HX26,HX4,H1	
5	23710-883-740	SHAFT, P.T.O.....	1	1	-	-	HH,HHQ4,HH26,HX,HXE,HXE8,HXU,HX26,HX4,H1	
6	90002-883-740	BOLT, BREATHING.....	1	1	-	-	HH,HHQ4,HH26,HX,HXE,HXE8,HXU,HX26,HX4,H1	
7	90131-883-000	BOLT, DRAIN PLUG.....	1	1	-	-	HH,HHQ4,HH26,HX,HXE,HXE8,HXU,HX26,HX4,H1	
8	91202-883-005	OIL SEAL, 25X41X6.....	1	1	-	-	HH,HHQ4,HH26,HX,HXE,HXE8,HXU,HX26,HX4,H1	
9	94109-12000	WASHER, DRAIN PLUG, 12MM.....	1	1	-	-	HH,HHQ4,HH26,HX,HXE,HXE8,HXU,HX26,HX4,H1	
10	95700-08032-08	BOLT, FLANGE, 8X32.....	4	4	-	-	HH,HX,HXU,H1	
	95701-08032-08	.....	4	-	-	-	HHQ4,HH26,HXE,HXE8,HX26,HX4	
11	95700-08035-00	BOLT, FLANGE, 8X35.....	4	4	-	-	HH,HX,HXU,H1	
	95701-08035-00	.....	4	-	-	-	HHQ4,HH26,HXE,HXE8,HX26,HX4	
12	96100-62040-00	BEARING, RADIAL BALL, 6204.....	1	1	-	-	HH,HHQ4,HH26,HX,HXE,HXE8,HXU,HX26,HX4,H1	
13	96100-63050-00	BEARING, RADIAL BALL, 6305.....	1	1	-	-	HH,HHQ4,HH26,HX,HXE,HXE8,HXU,HX26,HX4,H1	

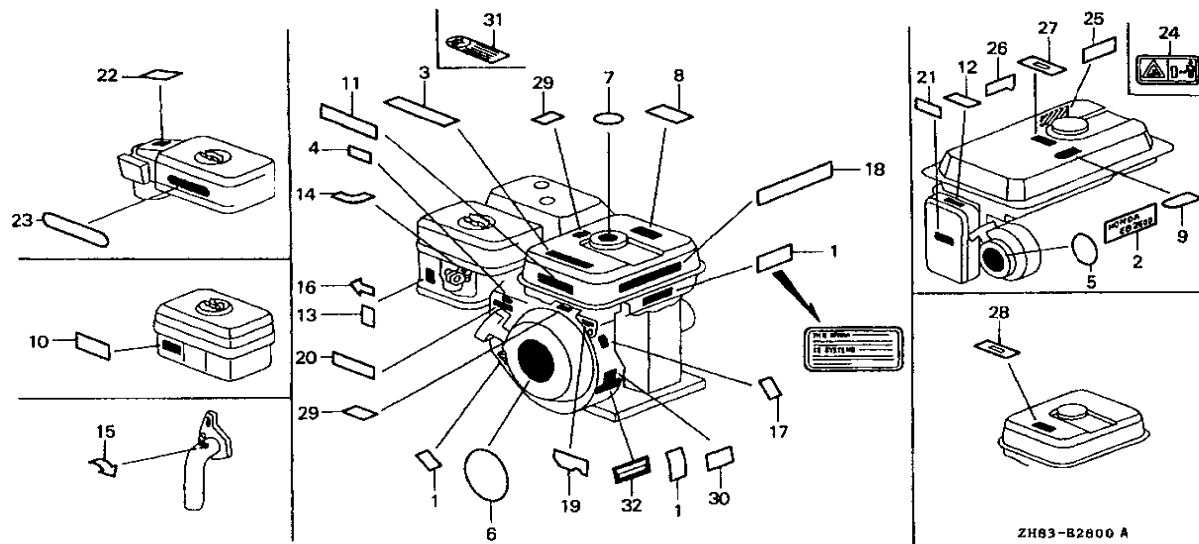




Service Item	F.R.T.
COVER ASSY., CHAIN CASE.....	0.4
.PACKING, CHAIN CASE COVER	
.CHAIN, P.T.O. DRIVE	
.SPROCKET, DRIVE	
.SHAFT, P.T.O.	
.OIL SEAL, 25X38X7	
BEARING, RADIAL BALL, 6005.....	0.5

Ref. No.	Part No.	Description	Reqd. QTY				Serial No.	Type
			(1)	(2)	(3)	(4)		
1	11500-ZK7-V00	COVER ASSY., CHAIN CASE.....	1	-	-	-	-----	ARC6
2	11521-ZK7-V00	PACKING, CHAIN CASE COVER.....	1	-	-	-	-----	ARC6
3	14411-ZK7-V01	CHAIN, P.T.O. DRIVE.....	1	-	-	-	-----	ARC6
4	23121-ZK7-V00	SPROCKET, DRIVE (17T).....	1	-	-	-	-----	ARC6
5	23151-ZK7-V00	SHAFT, P.T.O.....	1	-	-	-	-----	ARC6
6	90456-ZE1-000	SPRING, THRUST.....	1	-	-	-	-----	ARC6
7	90471-ZE1-610	WASHER, 8MM.....	1	-	-	-	-----	ARC6
8	91252-888-003	OIL SEAL, 25X38X7 (ARAI).....	1	-	-	-	-----	ARC6
9	92101-08025-0A	BOLT, HEX., 8X25.....	1	-	-	-	-----	ARC6
10	94303-08140	PIN, DOWEL, 8X14.....	2	-	-	-	-----	ARC6
11	95701-08035-00	BOLT, FLANGE, 8X35.....	4	-	-	-	-----	ARC6
12	95701-08055-00	BOLT, FLANGE, 8X55.....	1	-	-	-	-----	ARC6
13	96100-60050-00	BEARING, RADIAL BALL, 6005.....	1	-	-	-	-----	ARC6



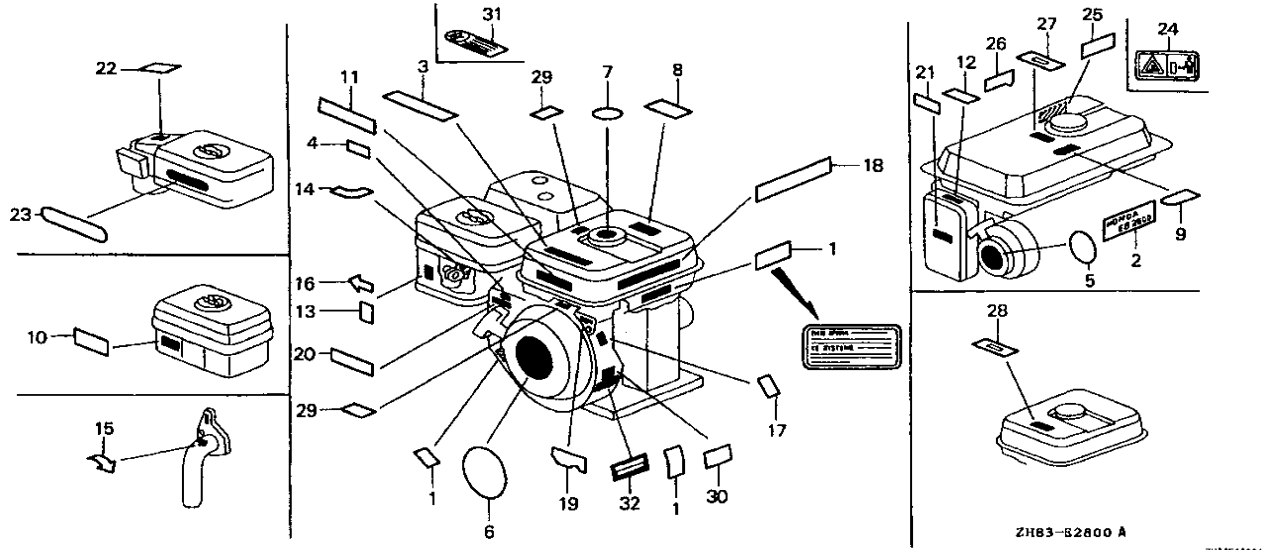


ZH83-B2800 A  
ZH83B2800A

Ref. No.	Part No.	Description	Reqd. QTY				Serial No.	Type
			GX160K1 (1)	(2)	(3)	(4)		
1	30590-GBF-850	LABEL, IGNITION NOISE.....	1	-	-	-	5672160	ARC6,HH26,HX26,LX26,QA26,QBT6,QH26,QXC6,QXE6,QX26,RH26,SD16 TX26,VXE6,VX26
	30590-GBF-851	.....	1	-	-	-	5672161	ARC6,HH26,HX26,LX26,QA26,QBT6,QH26,QXC6,QXE6,QX26,RH26,SD16 TX26,VXE6,VX26
2	87101-ZB3-E30	MARK, EMBLEM (EB2500).....	1	-	-	-	2438430	VS3
3	87101-733-000	MARK, TOP.....	1	(1)	1	-	-	H1, LTA, L1, Q1, R1, S1, T1, U1, VIH, V1, W1
	87522-ZH9-000	LABEL, CAUTION.....	1	(1)	1	1	-	ARC6, BIH, HH, HH26, HX, HXE, HXE8, HXU, HX26, H1, KTA, LAX, LD, LDB1 LDB3, LDM, LH, LHB3, LHW, LVSH, LWZ, LX, LXU, LX26, L1, NW, PH, PHM, PHU PM, PMZ, PX, PXU, QA, QAB1, QAB3, QA26, QBT6, QBU2, QD, QH, QHE, QHP1 QH26, QM, QMH, QNT2, QNZ, QP, QWA4, QX, QXB1, QXC6, QXE, QXE6, QXE8, QXU QXW2, QX26, Q1, RAC, RD, RH, RH26, RX, RXE, RXU, R1, SAC, SAD2, SD, SDB1 SDB3, SDN, SDS2, SDS3, SD16, SEE, SH, SHM, SWX, SWZ, SX, SXE, SXS4, SXU S1, TH, THU, TX, TXU, TX26, T1, UH, UX, UXU, U1, VA, VEBM, VED, VED1, VH VIH1, VS, VSX, VSX1, VSX3, VS1, VTD, VTD1, VTU1, VVSH, VX, VXE, VXE6 VXM, VXP, VXU, VXU1, VX26, V1, W1
			1	-	-	-	3343603	QE, QXW, RSK, SDS, SE, VXG
			1	-	-	-	3343604	QNT, VSD
	87522-ZH9-820	LABEL, CAUTION (THAI).....	1	(1)	1	-	-	H1, L1, QIH1, QT, QZ, Q1, R1, S1, T1, U1, V1, W1
	87522-ZH9-T00	LABEL, CAUTION.....	1	-	-	-	-	QXB, SXB
4	87124-ZV3-010	MARK, EMERGENCY SWITCH INDICATION	-	-	-	1	-	
5	87502-ZB2-600	MARK, OIL ALERT.....	1	-	-	-	-	VSB1, VS4
			1	-	-	-	2438431	VS3
6	87521-ZH8-000	EMBLEM (5.5PS).....	1	-	-	-	2468252	STA, VED2
	87521-ZH8-810	EMBLEM (5.5HP).....	1	(1)	-	-	2468252	EN, ET, ETX, HH, HX, H1, LD, LH, LWZ, LX, L1, PH, PM, PMZ, PX, QA, QD, QE, QH QHE, QM, QNT, QT, QX, QXE, Q1, RAC, RD, RH, RX, RXE, R1, SAC, SD, SDS, SE SEE, SH, SWX, SWZ, SX, SXE, S1, TH, TX, T1, UH, UX, U1, VA, VEBM, VED, VED1 VH, VS, VSD, VSD1, VSX, VX, VXE, V1, W1

Ref. No.	Part No.	Description	Reqd. QTY				Serial No.	Type
			(1)	(2)	(3)	(4)		
(6)	87521-ZH8-910	EMBLEM (THAI-L/T).....	1	-	-	-	2468252	QZ
	87521-ZH8-010	EMBLEM (5.5).....	1	-	1	1		ARC6,BIH,HHQ4,HH26,HXE,HXE8,HXU,HX26,HX4,KTA,LAX,LDB1,LDB3 LDM,LD4,LHB3,LHQ4,LHW,LSJ4,LSS4,LVSH,LXU,LX26,LX4,NW,PHM PHU,PXU,QAB1,QAB3,QA26,QBT6,QBU2,QFE4,QHP1,QHQ4,QH26,QIH1 QKA4,QMC6,QMC8,QMD6,QME4,QMH,QNT2,QNT4,QNZ,QP,QPU,QVSH,QWA4 QXB,QXB1,QXC6,QXE4,QXE6,QXE8,QXU,QXW,QXW2,QX26,QX4,RD4,REX4 RHQ4,RH26,RMB4,RSK,RXE4,RXU,RX4,SAD2,SDB1,SDB3,SDN,SD16,SD4 SHM,SHQ4,SHR4,SIH,SMB4,SMC7,SMC9,SM14,SWG4, SXB, SXE4, SXS4 SXU, SX4, THU, TXU, TX26, TX4, UIH, UXU, VED3, VHH4, VHQ4, VIH, VIH1 VMB3, VMS4, VMT, VPM4, VPR4, VSDP, VSX1, VSX3, VS1, VTD, VTD1, VTE2 VTU1, VTX, VTX1, VVSH, VXE4, VXE6, VXG, VXM, VXP, VXU, VXU1, VX26, VX4 WIH1, WKT4, WMBO, WME4
			1	(1)	-	-	2468253	EN, ET, ETX, HH, HX, H1, LD, LH, LWZ, LX, L1, PH, PM, PMZ, PX, QA, QD, QE, QH, QHE, QM, QNT, QT, QX, QXE, Q1, RAC, RD, RH, RX, RXE, R1, SAC, SD, SDS, SE, SEE, SH, STA, SWX, SWZ, SX, SXE, S1, TH, TX, T1, UH, UX, U1, VA, VEBM, VED, VED1, VED2, VH, VS, VSD, VSD1, VSX, VX, VXE, V1, W1
	87521-ZH8-911	EMBLEM (THAI-L/T).....	1	-	-	-	2468253	QZ
	87521-ZH8-Y10	EMBLEM.....	1	-	-	-	6219319	QT
	87521-ZH8-950	EMBLEM (VIETNAM).....	1	-	-	-		SDS2, SDS3
7	87522-ZE1-010	LABEL, FUEL WARNING.....	1	-	-	-	2710012	EN, ET, ETX, STA
	87106-ZH8-S00	MARK, FUEL CAUTION (SHJ).....	-	-	1	-		BIH, SIH, UIH, VIH, WIH1
	87522-ZE1-810	MARK, CAUTION.....	1	(1)	1	-		BIH, H1, LDB1, LDB3, LHB3, LVSH, QAB1, QAB3, QIH1, QXB1, SDB1, SDB3 SDS2, SDS3, U1, VVSH
			1	-	-	-	2710013	EN, ET, ETX, STA
			1	(1)	-	-	3063877	HH, HX, KTA, LAX, LD, LH, LWZ, LX, L1, PH, PHU, PMZ, PX, QA, QD, QE, QH, QHE, QM, QNT, QNZ, QT, QX, QXB, QXE, QXW, QZ, Q1, RAC, RD, RH, RSK, RX, RXE, R1, SAC, SD, SDS, SE, SEE, SH, SWX, SWZ, SX, SXB, SXE, S1, TH, THU, TX, T1, UH, UX, VA, VEBM, VED, VED1, VH, VS, VSD, VSX, VSX1, VS1, VX, VXE, VXG, VXU, V1, W1
8	87522-ZH8-W40	MARK, CAUTION.....	1	-	-	1		HHQ4, HX4, LD4, LHQ4, LSJ4, LSS4, LX4, QFE4, QHQ4, QKA4, QMC6, QMC8 QMD6, QME4, QNT4, QPU, QWA4, QXE4, QX4, RD4, REX4, RHQ4, RMB4, RXE4 RX4, SD4, SHQ4, SHR4, SMB4, SMC7, SMC9, SM14, SWG4, SXE4, SXS4, SX4 TX4, VHQ4, VMS4, VSDP, VSW, VXE4, VX4, WKT4, WMBO, WME4
			1	-	-	-	3343604	QE, QNT, QXW, RSK, SDS, SE, VSD, VXG
9	87522-883-660	MARK, CAUTION (ENGLISH/FRENCH/SPANISH)	1	-	-	-		VED3, VTE2
10	87524-883-690	MARK, AIR CLEANER CAUTION (OIL BATH) (ARABIC)	1	(1)	1	-		H1, LWZ, L1, QIH1, QT, Q1, R1, S1, T1, U1, V1, W1
11	87525-ZH8-810	EMBLEM, UPPER (EXTERNAL).....	-	(1)	-	-		
	87101-733-000	MARK, TOP.....	-	-	1	-		BIH, SIH, UIH, VIH, WIH1
12	87528-ZB2-630	MARK, CHOKE.....	1	-	-	-		VED2, VED3, VMT, VPM4, VPR4, VSB1, VSW, VS3, VS4, VTE2, VTX, VTX1
			1	-	-	-	2744591	VSD1
13	87528-ZE1-000	MARK, CHOKE.....	1	-	-	-	2708634	STA
	87528-ZE1-690	MARK, CHOKE (THAI).....	1	(1)	1	-		H1, L1, QIH1, QT, Q1, R1, S1, T1, U1, V1, W1
	87528-ZE1-810	MARK, CHOKE.....	1	(1)	1	-		ARC6, HH, HH26, HX, HXE, HXE8, HXU, HX26, H1, KTA, LAX, LD, LDM, LH, LHB3 LVSH, LWZ, LX, LXU, LX26, L1, NW, PH, PHM, PHU, PX, PXU, QA, QAB1, QAB3 QA26, QBT6, QBU2, QH, QHE, QHP1, QH26, QMH, QNT2, QP, QVSH, QWA4, QX QXB, QXB1, QXC6, QXE, QXE6, QXE8, QXU, QX26, Q1, RAC, RH, RH26, RX, RXE RXU, R1, SAC, SAD2, SDN, SDS3, SH, SHM, SWX, SWZ, SX, SXB, SXE, SXU, S1 TH, THU, TX, TXU, TX26, T1, UH, UX, UXU, U1, VA, VEBM, VH, VIH1, VS, VSX VSX1, VSX3, VS1, VTD, VTD1, VTU1, VVSH, VX, VXE, VXE6, VXM, VXU, VXU1 VX26, V1, W1
			1	-	-	-	3343603	QE, QNT, RSK, SE, VSD, VXG
			1	-	-	-	2708635	STA
	87528-ZH8-S00	MARK, CHOKE (SHJ).....	-	-	1	-		BIH, SIH, UIH, VIH, WIH1

2



ZH83-B2800 A

ZH83B00A

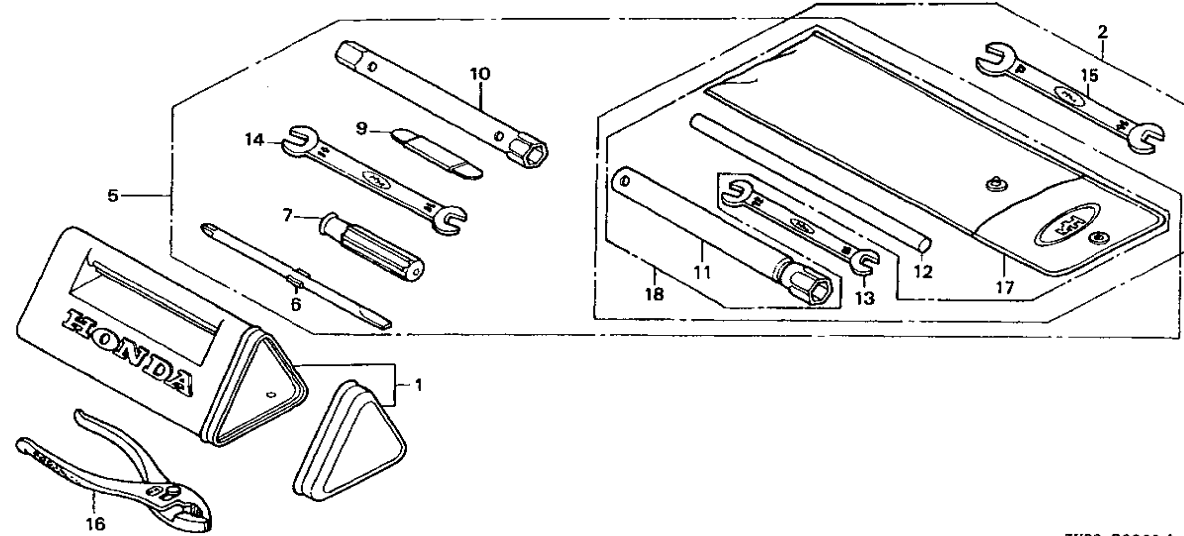
2

Ref. No.	Part No.	Description	Reqd. QTY				Serial No.	Type
			(1)	(2)	(3)	(4)		
13)	87528-733-E90	MARK, CHOKE.....	1	-	-	-	HHQ4, HX4, LHQ4, LSJ4, LSS4, LX4, QFE4, QHQ4, QKA4, QMC8, QMD6, QME4, QNT4, QPU, QWA4, QXE4, QX4, REX4, RHQ4, RMB4, RXE4, RX4, SHQ4, SHR4, SMB4, SMC7, SMC9, SM14, SXE4, SXS4, SX4, TX4, VHH4, VHQ4, VMB3, VMS4, VXE4, VX4, WKT4, WME4	
			1	-	-	3343604	QE, QNT, RSK, SE, VSD, VXG	
14	87528-ZG0-810	MARK, COCK (EXTERNAL).....	1	-	-	4764118	SWG4	
15	87528-883-661	MARK, CHOKE.....	1	-	-	2578931	QZ	
16	87528-883-661	MARK, CHOKE.....	-	-	1			
17	87530-ZH8-810	LABEL, SPECIFICATION (5.5HP)..	1	(1)	-		EN, ET, ETX, HH, HX, HXU, H1, KTA, LD, LH, LWZ, LX, LXU, L1, PH, PM, PMZ, PX, PXU, QA, QD, QE, QH, QHE, QM, QNT, QT, QX, QXB, QXB1, QXE, QXE8, QXU, QXW, Q1, RAC, RD, RH, RX, RXE, RXU, R1, SAC, SD, SDS, SE, SEE, SH, SWX, SWZ, SX, SXB, SXE, SXU, S1, TH, TX, TXU, T1, UH, UX, UXU, U1, VA, VEBM, VED, VED1, VED2, VH, VS, VSD, VSD1, VSX, VSX1, VS1, VS3, VS4, VX, VXE, V1, W1	
18	87532-ZH8-810	MARK, OIL ALERT (EXTERNAL)....	1	(1)	-	2468253	HX, H1, LX, L1, PX, QX, QXE, Q1, RX, RXE, R1, SWX, SX, SXE, S1, TX, T1, UX, U1, VA, VEBM, VED1, VSD1, VSX, VX, VXE, V1, W1	
			1	-	1		HXE, HXE8, HXU, HX26, LAX, LXU, LX26, PXU, QBT6, QBU2, QM, QNT2, QWA4, QXB, QXB1, QXC6, QXE6, QXE8, QXU, QXW2, QX26, RXU, SAD2, SXB, SXS4, SXU, TXU, TX26, UXU, VIH1, VSX1, VSX3, VTD, VTD1, VVSH, VXE6, VXM, VXP, VXU, VXU1, VX26	
			1	-	-	2468253	QNT, VSD	
			1	-	-	3343604	QXW, VXG	
	87532-ZB4-G60	MARK, OIL ALERT (GERMAN).....	1	(1)	-	2739161	HX, H1, LX, L1, PX, QNT, QX, QXB, QXE, QXW, Q1, RX, RXE, R1, SWX, SX, SXB, SXE, S1, TX, T1, UX, U1, VA, VEBM, VED1, VSD, VSD1, VSX, VSX1, VX, VXE, V1, W1	
			1	-	1		HXE, HXE8, HXU, HX26, LAX, LXU, LX26, PXU, QBT6, QBU2, QNT2, QXB1, QXC6, QXE6, QXE8, QXU, QXW2, QX26, RXU, SAD2, SXU, TXU, TX26, UXU, VXG, VXP, VXU, VXU1, VX26	

Ref. No.	Part No.	Description	Reqd. QTY				Serial No.	Type
			GX169K1					
			(1)	(2)	(3)	(4)		
18)	87532-ZB4-H50	MARK, OIL ALERT (FRENCH).....	1	(1)	-	-	2739161	HX,H1,LX,L1,PX,QX,QXB,QXE,Q1,RX,RXE,R1,SWX,SX,SXB,SXE,S1,TX
			1	-	-	1		HXE,HXE8,HXU,HX26,LAX,LXU,LX26,PXU,QBT6,QBU2,QNT2,QXB1,QXC6
			1	-	-	-	2739161	QNT,QXW,VSD,VSD1
			1	-	-	-	3261481	VXG
19	87532-ZE1-810	MARK, OIL ALERT (EXTERNAL)....	1	(1)	-	-	2468253	HX,H1,LX,L1,PX,QNT,QX,Q1,RX,R1,SWX,SX,S1,TX,T1,UX,U1,VA
	87532-ZH9-V00	MARK, ENGINE SWITCH (SDM0)....	1	-	-	-	2744591	VEBM,VED1,VSD,VSX,VX,V1,W1
	87532-ZH9-W40	MARK, ENGINE SWITCH (EC).....	1	-	-	-	3344558	VSD1
20	87532-ZH8-W40	MARK, THROTTLE INDICATION.....	1	-	-	1		VSD1
			1	-	-	-		HHQ4,HX4,LD4,LHQ4,LSJ4,LSS4,LX4,QFE4,QHQ4,QKA4,QMC6,QMC8
			1	-	-	-		QMD6,QME4,QNT4,QPU,QWA4,QXE4,QX4,RD4,REX4,RHQ4,RMB4,RXE4
			1	-	-	-		RX4,SD4,SHQ4,SMB4,SMC7,SMC9,SM14,SWG4,SXE4,SXS4, SX4, TX4
			1	-	-	-	3261482	VHQ4,VMB3,VSDP,VXE4,VXP,VX4,WKT4,WMB0,WME4
			1	-	-	-	3261482	QE,QNT,QXW,RSK,SDS,SE
			1	-	-	-	3294337	VSD,VSD1,VXG
21	87533-ZA7-650	MARK, AIR CLEANER.....	1	-	-	-	2744591	VSD1
	87533-ZC0-630	.....	1	-	-	-		VED2,VED3,VMT,VSB1,VS3,VS4,VTE2,VTX,VTX1
22	87534-ZE1-841	LABEL, AIR CLEANER CAUTION....	1	(1)	-	-		H1,L1,QNT4,QXC6,Q1,R1,S1,T1,U1,V1,W1
23	87535-ZE1-840	MARK, AIR CLEANER SALES POINT.	1	(1)	-	-		H1,LSS4,L1,QNT4,QXC6,Q1,R1,S1,T1,U1,V1,W1
24	87539-ZA8-660	MARK, EX. CAUTION.....	1	-	-	-		VSW
25	87539-ZB2-630	MARK, EX. CAUTION.....	1	-	-	-		VED2,VED3,VTE2
26	87539-898-620	MARK, EX. CAUTION (ENGLISH/FRENCH)	1	-	-	-		VMT,VSB1,VS3,VS4,VTX,VTX1
27	87565-ZB4-A00	PLATE, FUEL INDICATION.....	1	-	-	-		VED2,VED3,VMT,VTE2,VTX,VTX1
28	87565-ZE2-810	MARK, FUEL (EXTERNAL).....	1	(1)	-	-		H1,L1,Q1,R1,S1,T1,U1,VSX3,V1,W1
			1	-	-	-	3418182	VXG
	87565-ZE2-A01	MARK, FUEL (INTERNAL).....	1	-	-	-	3418183	VXG
29	87586-ZH7-W00	LABEL, FUEL CAUTION.....	2	-	-	-	3417143	VED2
30	87594-ZB3-C00	MARK, OIL CAUTION.....	1	-	-	-	2438430	VS,VSX,VS3
	87594-ZB4-A00	.....	1	-	-	-		VED2,VED3,VTE2,VTX,VTX1
31	87522-ZB3-K01	MARK, FIRE DANGER.....	-	-	1	-		BIH,SIH,UIH,VIH,WIH1
32	87532-ZH8-810	MARK, OIL ALERT (EXTERNAL)....	1	-	-	-		QWA4,VTU1,VTX,VTX1

2

Service Item F.R.T.

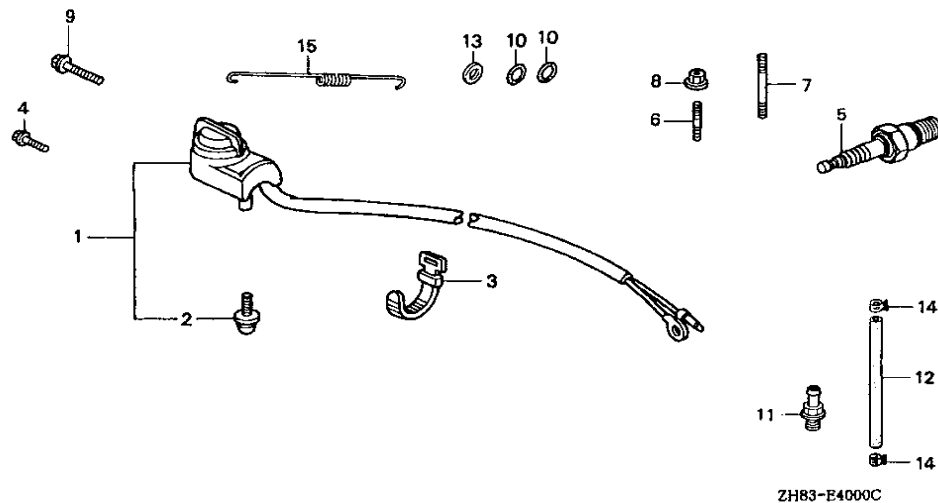


ZH83-E2900 A ZH1E1100A

Ref. No.	Part No.	Description	Reqd. QTY				Serial No.	Type
			6X160K1 (1)	(2)	(3)	(4)		
1	83501-ZF1-000	BOX, TOOL.....	1	-	1	-	LDB3,LHB3,LWZ,PM,PMZ,QAB3,QM,QT,QZ,SDB3,SDS3,SEE,SIH,SWX SWZ,UIH,VSB1	
2	89000-ZE1-000	TOOL KIT.....	1	(1)	-	-	H1,LDM,LTA,L1,PHM,PHU,QHP1,QP,Q1,R1,SHM,SWG4,S1,THU,T1,U1 VXM,V1,W1	
5	89001-ZF1-000	BAG SET, TOOL.....	1	-	-	-	LDB3,LHB3,LWZ,PM,PMZ,QAB3,QM,QT,QZ,SDB3,SDS3,SEE,SWX,SWZ VSB1	
6	89102-538-000	SHAFT, SCREW DRIVER.....	1	-	-	-	LDB3,LHB3,LWZ,PHU,PM,PMZ,QAB3,QM,QT,QZ,SDB3,SDS3,SEE,SWX SWZ,THU,VSB1	
7	89103-538-000	GRIP.....	1	-	-	-	LDB3,LHB3,LWZ,PHU,PM,PMZ,QAB3,QM,QT,QZ,SDB3,SDS3,SEE,SWX SWZ,THU,VSB1	
9	89210-ZF1-000	GAUGE ASSY., THICKNESS.....	1	-	-	-	LDB3,LHB3,LWZ,PM,PMZ,QAB3,QM,QT,QZ,SDB3,SDS3,SEE,SWX,SWZ VSB1	
10	89216-ZF1-000	WRENCH, BOX.....	1	-	-	-	LDB3,LHB3,LWZ,PM,PMZ,QAB3,QM,QT,QZ,SDB3,SDS3,SEE,SWX,SWZ VSB1	
11	89216-ZH8-S00	WRENCH, PLUG.....	-	-	1	-	LVSH,QIH1,QVSH,VIH,VIH1,VVSH,WIH1	
	89218-ZE1-000	WRENCH COMP., SPARK PLUG.....	1	(1)	1	-	ARC6,BIH,EN,ET,ETX,H1,KTA,LDB3,LDM,LHB3,LHW,LSJ4,LSS4,LTA LWZ,L1,NW,PHM,PHU,PM,PMZ,QA,QAB3,QBU2,QHP1,QM,QMC8,QMD6,QNT QNT4,QP,QT,QWA4,QXB,QZ,Q1,R1,SAD2,SDB3,SDN,SDS3,SEE,SHM SHR4,SIH,SMC7,SMC9,SM14,STA,SWG4,SWX,SWZ,SBX,S1,THU,T1,UIH U1,VEBM,VED,VED1,VMB3,VS,VSB1,VSX,VSX1,VSX3,VS1,VTD,VTD1 VXM,V1,WKT4,WMO,WME4,W1	
	99004-21001	WRENCH, BOX (P21).....	(1)	-	-	-	QAB1,QA26,QNT2,QXC6	
	99004-21002	.....	1	-	-	-	VED2,VED3,VMT,VSX,VS3,VS4,VTE2,VTX,VTX1	
	89216-809-000	WRENCH, PLUG.....	-	(1)	-	-	QFE4	

Ref. No.	Part No.	Description	Reqd. QTY				Serial No.	Type
			GX160KI					
			(1)	(2)	(3)	(4)		
12	89219-805-000	HANDLE, BOX WRENCH.....	1	(1)	1	-	-----	BIH,H1,LDB3,LDM,LHB3,LTA,LVSH,LWZ,L1,PHM,PHU,PM,PMZ,QAB3 QHP1,QIH1,QM,QP,QT,QVSH,QZ,Q1,R1,SDB3,SDN,SDS3,SEE,SHM,SIH SM14,SWG4,SWX,SWZ,S1,THU,T1,UIH,U1,VIH,VIH1,VSB1,VVSH,VXM V1,WIH1,W1
	99005-01000	BAR A, HANDLE.....	1	-	-	-	-----	QFE4
13	99001-10120	SPANNER, 10X12.....	1	(1)	-	-	-----	H1,LDB3,LDM,LHB3,LTA,LWZ,L1,PHM,PHU,PM,PMZ,QAB3,QHP1,QM,QP QT,QZ,Q1,R1,SDB3,SDS3,SEE,SHM,SWG4,SWX,SWZ,S1,THU,T1,U1 VSB1,VXM,V1,W1
14	99001-10140	SPANNER, 10X14.....	1	-	-	-	-----	LDB3,LHB3,LWZ,PM,PMZ,QAB3,QM,QT,QZ,SDB3,SDS3,SEE,SWX,SWZ VSB1
15	99001-14170	SPANNER, 14X17.....	1	(1)	-	-	-----	H1,LDM,LTA,L1,PHM,PHU,QHP1,QP,Q1,R1,SHM,SWG4,S1,THU,T1,U1 VXM,V1,W1
16	99002-13500	PLIERS, 135.....	1	-	-	-	-----	PHU,THU
17	99008-02000	BAG, TOOL, 200MM.....	1	-	-	-	-----	QFE4
	99008-02300	BAG, TOOL, 230MM.....	1	(1)	1	-	-----	BIH,H1,LDB3,LDM,LHB3,LTA,LWZ,L1,PHM,PHU,PM,PMZ,QAB3,QHP1,QM QP,QT,QZ,Q1,R1,SDB3,SDN,SDS3,SEE,SHM,SIH,SWG4,SWX,SWZ,S1 THU,T1,UIH,U1,VSB1,VXM,V1,W1
18	89000-ZH7-T00	TOOL KIT.....	1	-	1	-	-----	BIH,SDN,SIH,UIH

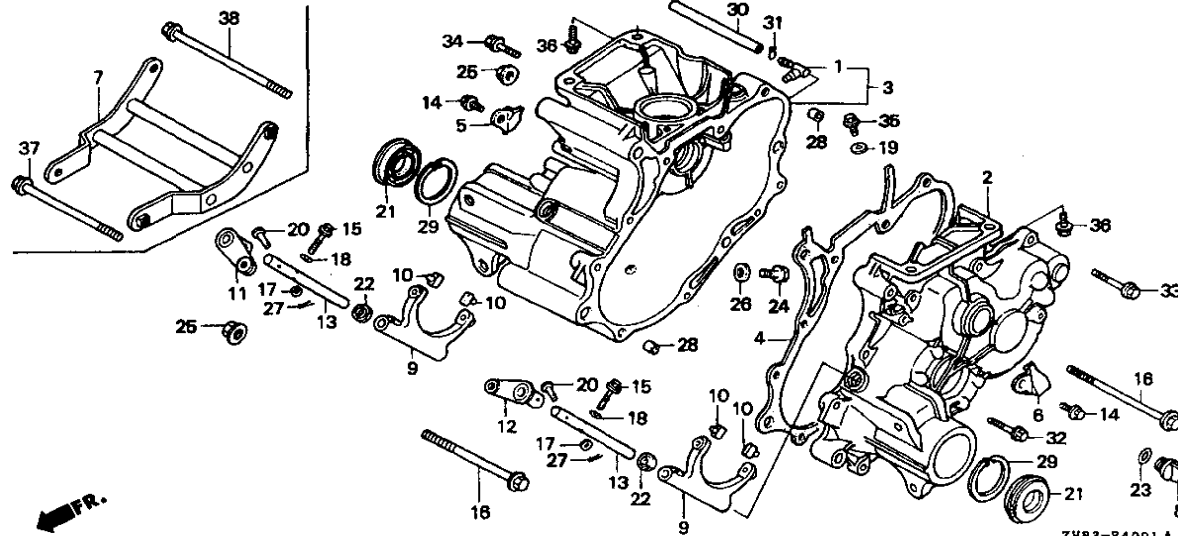
2



Service	Item	F.R.T.
	SWITCH ASSY., ENGINE STOP.....	0.1
	.JOINT, DRAIN	
	.TUBE, DRAIN	
	SPRING, GOVERNOR.....	0.2

Ref. No.	Part No.	Description	Reqd. QTY				Serial No.	Type
			(1)	(2)	(3)	(4)		
1	35120-746-C21	SWITCH ASSY., ENGINE STOP.....	1	-	-	-	-----	QPU
2	90101-733-921	BOLT, 3X12 (SEMS).....	1	-	-	-	-----	QPU
3	95014-62100	BAND B1, WIRE.....	1	-	-	-	-----	QPU
4	95701-08020-08	BOLT, FLANGE, 8X20.....	4	-	-	-	-----	VTD, VTD1, VTX, VTX1
5	98079-56841	PLUG, SPARK (BP6ES NGK).....	1	-	(1)	-	-----	QIH1, SIH, VIH, VSX3, VTD, VTD1, VTX, VTX1
			1	-	-	4041863	-----	SDS3
			1	-	-	4224869	-----	VSB1, VSX, VSX1, VS3, VS4
6	90001-ZK7-V00	BOLT, STUD, 10X32.....	3	-	-	-	-----	ARC6
7	90002-ZK7-V00	BOLT, STUD, 10X60.....	1	-	-	-	-----	ARC6
8	94050-10000	NUT, FLANGE, 10MM.....	4	-	-	-	-----	ARC6
9	95801-08020-18	BOLT, FLANGE, 8X20.....	1	-	-	3477006	-----	SM14
10	78118-YB0-003	RING, SEAL (B).....	2	-	-	-	-----	VED2
							-----	WME4
11	15550-ZK8-P90	JOINT, DRAIN.....	2	-	-	-	-----	SM14
12	15552-ZB9-000	TUBE, DRAIN.....	1	-	-	-	-----	SM14
13	90601-ZE1-000	WASHER, DRAIN PLUG, 10.2MM....	3	-	-	-	-----	SM14
14	95002-41200-08	CLAMP, TUBE (D12).....	2	-	-	-	-----	SM14
15	16561-ZL0-U30	SPRING, GOVERNOR.....	1	-	-	6111881	-----	VPR4





Service Item F.R.T.

ZH83-24001 A ZH124001A

2

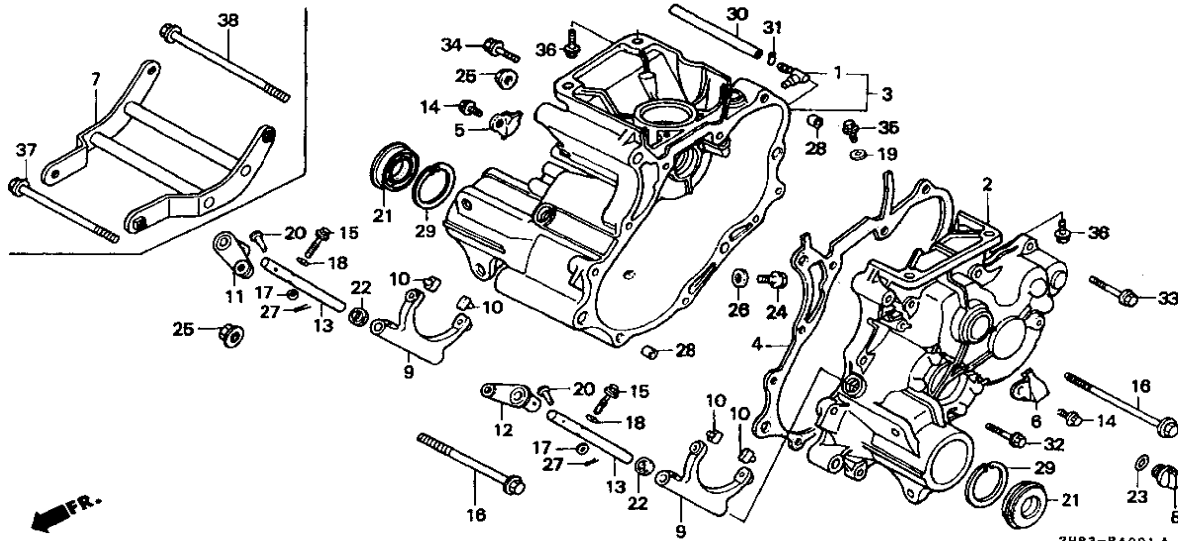
Ref. No.	Part No.	Description	Reqd. QTY				Serial No.	Type
			GX160K1					
			(1)	(2)	(3)	(4)		
1	11106-GM2-300	JOINT, BREATHER.....	1	-	-	-	-----	QFE4
2	21111-766-000	CASE, R. TRANSMISSION.....	1	-	-	-	-----	QFE4
3	21210-766-000	CASE COMP., L. TRANSMISSION...	1	-	-	-	-----	QFE4
4	21281-740-020	PACKING, TRANSMISSION CASE.....	1	-	-	-	-----	QFE4
5	21913-740-000	PLATE, R. SIDE CLUTCH.....	1	-	-	-	-----	QFE4
6	21914-740-000	PLATE, L. SIDE CLUTCH.....	1	-	-	-	-----	QFE4
7	21931-766-000	GUARD, MISSION.....	1	-	-	-	-----	QFE4
8	25611-733-000	CAP, OIL.....	1	-	-	-	-----	QFE4
9	40111-740-000	FORK, SIDE CLUTCH.....	2	-	-	-	-----	QFE4
10	40112-740-003	PIN, FORK.....	4	-	-	-	-----	QFE4
11	40310-740-010	ARM COMP., R. SIDE CLUTCH.....	1	-	-	-	-----	QFE4
12	40320-740-010	ARM COMP., L. SIDE CLUTCH.....	1	-	-	-	-----	QFE4
13	40331-740-000	SHAFT, SIDE CLUTCH ARM.....	2	-	-	-	-----	QFE4
14	90013-883-000	BOLT, FLANGE, 6X12 (CT200).....	2	-	-	-	-----	QFE4
15	90028-634-000	BOLT, SPECIAL, 6X21.....	2	-	-	-	-----	QFE4
16	90057-671-000	BOLT, ALTERNATOR.....	2	-	-	-	-----	QFE4
17	90401-752-003	WASHER, 10MM.....	2	-	-	-	-----	QFE4
18	90411-744-000	WASHER, CONICAL SPRING, 6MM...	2	-	-	-	-----	QFE4
19	90429-PD1-000	WASHER, SEALING, 8MM.....	1	-	-	-	-----	QFE4
20	90752-735-000	PIN, AUXILIARY CHANGE LEVER...	2	-	-	-	-----	QFE4
21	91206-733-024	WATER SEAL, 25X52X9.5 (NOK)...	2	-	-	-	-----	QFE4
22	91251-740-003	OIL SEAL (12X18X4.2).....	2	-	-	-	-----	QFE4
23	91303-800-000	O-RING, 16MM.....	1	-	-	-	-----	QFE4
24	92800-12000	BOLT, DRAIN PLUG, 12MM.....	1	-	-	-	-----	QFE4
25	94050-10000	NUT, FLANGE, 10MM.....	2	-	-	-	-----	QFE4

M 1

Transmission case

E-40-1

Service Item F.R.T.



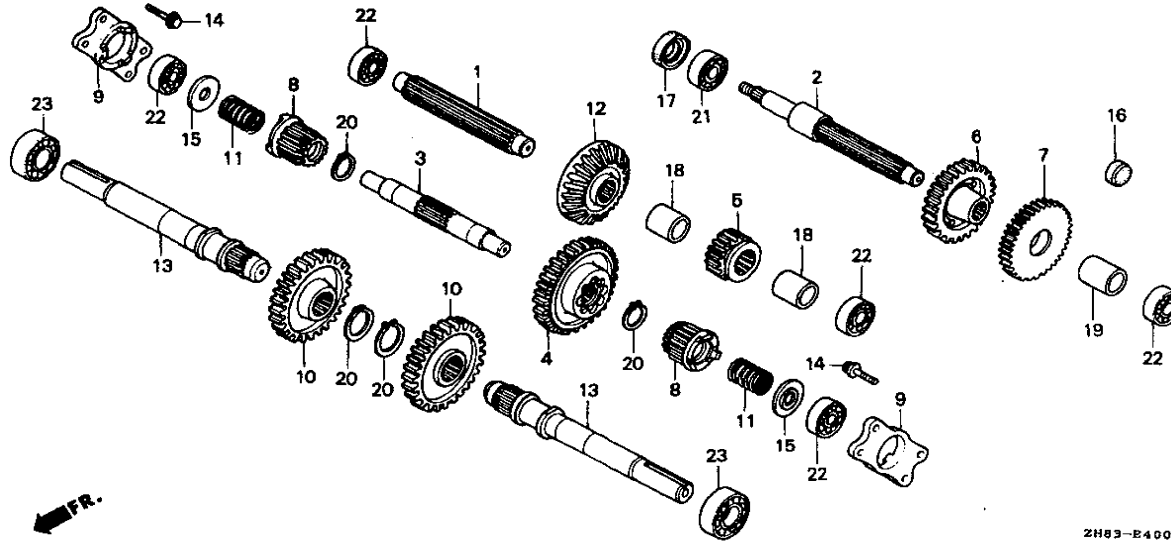
Ref. No.	Part No.	Description	Reqd. QTY				Serial No.	Type
			(1)	(2)	(3)	(4)		
26	94109-12000	WASHER, DRAIN PLUG, 12MM.....	1	-	-	-	-----	QFE4
27	94201-20120	PIN, SPLIT, 2.0X12.....	2	-	-	-	-----	QFE4
28	94301-08140	PIN, DOWEL, 8X14.....	2	-	-	-	-----	QFE4
29	94520-52000	CIRCLIP, INTERNAL, 52MM.....	2	-	-	-	-----	QFE4
30	95001-45150-40	TUBE, FUEL, 4.5X150 (95001-45001-60M)	1	-	-	-	-----	QFE4
31	95002-02080	CLIP, TUBE (B8).....	1	-	-	-	-----	QFE4
32	95701-06032-00	BOLT, FLANGE, 6X32.....	5	-	-	-	-----	QFE4
33	95701-06040-00	BOLT, FLANGE, 6X40.....	4	-	-	-	-----	QFE4
34	95701-08012-00	BOLT, FLANGE, 8X12.....	1	-	-	-	-----	QFE4
35	95701-08016-00	BOLT, FLANGE, 8X16.....	1	-	-	-	-----	QFE4
36	95701-08030-00	BOLT, FLANGE, 8X30.....	4	-	-	-	-----	QFE4
37	95701-10125-00	BOLT, FLANGE, 10X125.....	1	-	-	-	-----	QFE4
38	95701-10160-00	BOLT, FLANGE, 10X160.....	1	-	-	-	-----	QFE4

M 2

Transmission gear

E-40-2

Service Item F.R.T.

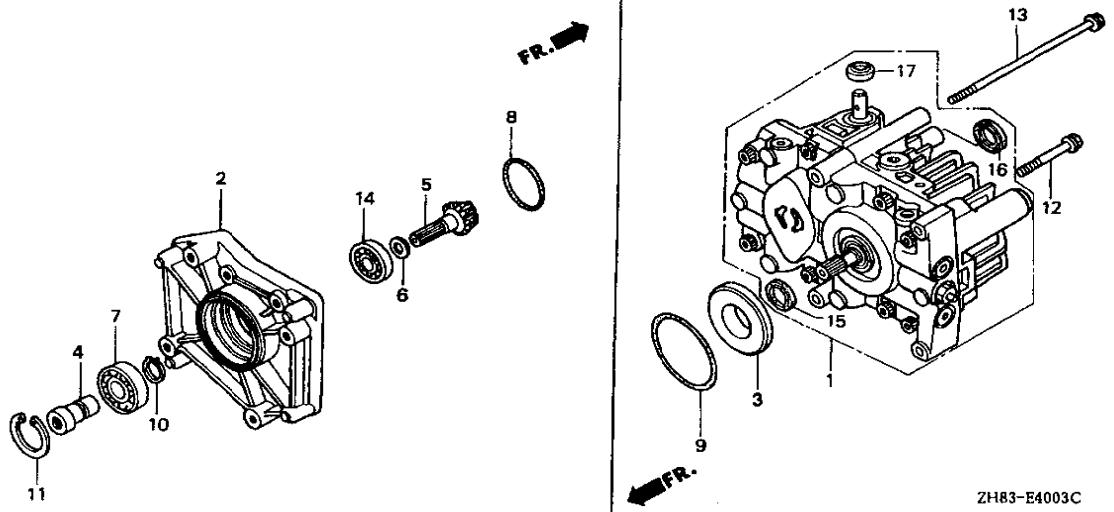


ZH89-B4002 ZH1E441

Ref. No.	Part No.	Description	Reqd. QTY				Serial No.	Type
			(1)	(2)	(3)	(4)		
1	23112-740-000	SHAFT, INPUT.....	1	-	-	-	-----	QFE4
2	23221-740-000	COUNTERSHAFT.....	1	-	-	-	-----	QFE4
3	23231-740-000	SHAFT, SIDE CLUTCH.....	1	-	-	-	-----	QFE4
4	23407-766-000	GEAR, SIDE CLUTCH DRIVE (49T).	1	-	-	-	-----	QFE4
5	23411-740-010	GEAR, INPUT SHAFT CHANGE (19T)	1	-	-	-	-----	QFE4
6	23422-740-000	GEAR, COUNTERSHAFT (36T).....	1	-	-	-	-----	QFE4
7	23431-776-000	GEAR, DRIVEN (42T).....	1	-	-	-	-----	QFE4
8	23511-740-000	GEAR, SIDE CLUTCH (16T).....	2	-	-	-	-----	QFE4
9	23521-740-000	CASE, SIDE CLUTCH BEARING.....	2	-	-	-	-----	QFE4
10	23581-740-000	GEAR, FINAL (35T).....	2	-	-	-	-----	QFE4
11	40181-776-000	SPRING, SIDE CLUTCH.....	2	-	-	-	-----	QFE4
12	41141-740-000	GEAR, DRIVEN BEVEL.....	1	-	-	-	-----	QFE4
13	42311-766-000	SHAFT, WHEEL.....	2	-	-	-	-----	QFE4
14	90030-PC8-000	BOLT, SPECIAL, 8MM.....	8	-	-	-	-----	QFE4
15	90501-740-010	WASHER, CLUTCH SPRING.....	2	-	-	-	-----	QFE4
16	90871-733-003	PLUG, SEALING, 28 (ARAI).....	1	-	-	-	-----	QFE4
17	91202-740-003	OIL SEAL, 20X31X7.....	1	-	-	-	-----	QFE4
18	91551-776-000	COLLAR, (22.3X28.5X37.25).....	2	-	-	-	-----	QFE4
19	91552-776-000	COLLAR, (22.3X28.5X43).....	1	-	-	-	-----	QFE4
20	94510-25000	CIRCLIP, EXTERNAL, 25MM.....	4	-	-	-	-----	QFE4
21	96100-60040-00	BEARING, RADIAL BALL, 6004.....	1	-	-	-	-----	QFE4
22	96100-62030-00	BEARING, RADIAL BALL, 6203.....	5	-	-	-	-----	QFE4
23	96100-62050-00	BEARING, RADIAL BALL, 6205.....	2	-	-	-	-----	QFE4

1999.07.20 E

2



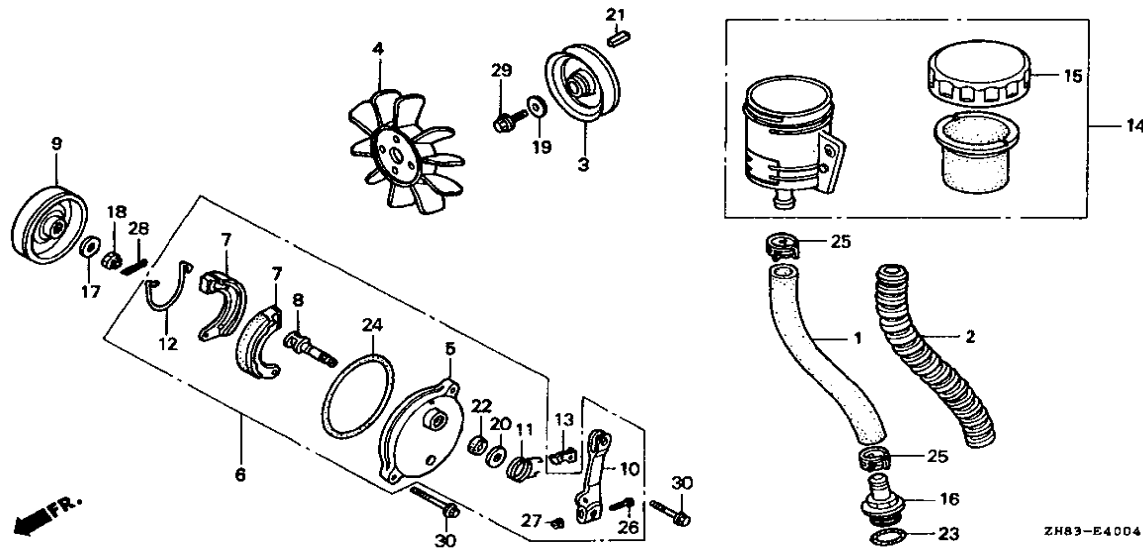
Service Item	F.R.T.
H.S.T. ASSY.....	0.6
.O-RING, 64X2	
COVER, BEVEL.....	0.4
.SHAFT, JOINT	
.PINION, BEVEL	
.O-RING, 42.5X3	
.BEARING, RADIAL BALL, 62/22....	0.5
.BEARING, RADIAL BALL, 6203	
OIL SEAL, 15X35X7.....	0.2
.OIL SEAL, 12X25X7	

Ref. No.	Part No.	Description	Reqd. QTY				Serial No.	Type
			(1)	(2)	(3)	(4)		
1	20005-766-003	H.S.T. ASSY.....	1	-	-	-	-----	QFE4
2	21171-766-000	COVER, BEVEL.....	1	-	-	-	-----	QFE4
3	21178-766-000	BOSS, GUIDE.....	1	-	-	-	-----	QFE4
4	23218-766-000	SHAFT, JOINT.....	1	-	-	-	-----	QFE4
5	41131-766-000	PINION, BEVEL.....	1	-	-	-	-----	QFE4
6	90540-740-000	WASHER, BEVEL GEAR.....	1	-	-	-	-----	QFE4
7	91001-878-003	BEARING, RADIAL BALL, 62/22...	1	-	-	-	-----	QFE4
8	91301-766-003	O-RING, 42.5X3.....	1	-	-	-	-----	QFE4
9	91307-639-000	O-RING, 64X2.....	1	-	-	-	-----	QFE4
10	94510-22000	CIRCLIP, EXTERNAL, 22MM.....	1	-	-	-	-----	QFE4
11	94520-50000	CIRCLIP, INTERNAL, 50MM.....	1	-	-	-	-----	QFE4
12	95701-08045-00	BOLT, FLANGE, 8X45.....	2	-	-	-	-----	QFE4
13	95701-08115-00	BOLT, FLANGE, 8X115.....	2	-	-	-	-----	QFE4
14	96100-62030-00	BEARING, RADIAL BALL, 6203....	1	-	-	-	-----	QFE4
15	91201-766-003	OIL SEAL, 15X24X7.....	1	-	-	-	-----	QFE4
16	91202-766-003	OIL SEAL, 15X35X7.....	1	-	-	-	-----	QFE4
17	91203-766-003	OIL SEAL, 12X25X7.....	1	-	-	-	-----	QFE4

**M 4**

Oil tank/Brake panel

**E-40-4**



Service Item	F.R.T.
TUBE, OIL.....	0.1
PULLEY, DRIVE.....	0.2
FAN, TRANSMISSION COOLING	
PANEL ASSY., BRAKE	
SHOE COMP., BRAKE.....	0.3

Ref. No.	Part No.	Description	Reqd. QTY				Serial No.	Type
			GX160K1					
			(1)	(2)	(3)	(4)		
1	15422-776-000	TUBE, OIL.....	1	-	-	-	-----	QFE4
2	15428-767-000	PROTECTOR, OIL TUBE.....	1	-	-	-	-----	QFE4
3	22411-734-700	PULLEY, DRIVE.....	1	-	-	-	-----	QFE4
4	40491-776-003	FAN, TRANSMISSION COOLING.....	1	-	-	-	-----	QFE4
5	43100-740-000	PANEL COMP., BRAKE.....	1	-	-	-	-----	QFE4
6	43100-776-000	PANEL ASSY., BRAKE.....	1	-	-	-	-----	QFE4
7	43125-GZ9-003	SHOE COMP., BRAKE.....	2	-	-	-	-----	QFE4
8	43141-740-000	CAM, BRAKE.....	1	-	-	-	-----	QFE4
9	43210-751-003	DRUM COMP., BRAKE.....	1	-	-	-	-----	QFE4
10	43410-740-000	ARM, BRAKE.....	1	-	-	-	-----	QFE4
11	43417-776-000	SPRING, BRAKE ARM.....	1	-	-	-	-----	QFE4
12	45133-044-000	SPRING, BRAKE SHOE.....	1	-	-	-	-----	QFE4
13	45135-740-000	PLATE, BRAKE ARM SPRING.....	1	-	-	-	-----	QFE4
14	56850-767-000	TANK ASSY., OIL.....	1	-	-	-	-----	QFE4
15	56862-767-300	BODY, OIL CAP.....	1	-	-	-	-----	QFE4
16	56955-766-000	CONNECTOR, SUCTION PORT.....	1	-	-	-	-----	QFE4
17	90017-PED-000	WASHER, 10MM.....	1	-	-	-	-----	QFE4
18	90301-740-003	NUT, CASTLE, 10MM.....	1	-	-	-	-----	QFE4
19	90473-842-000	WASHER, 8MM.....	1	-	-	-	-----	QFE4
20	90529-126-770	WASHER, 10.5MM.....	1	-	-	-	-----	QFE4
21	90741-732-000	KEY, 5X5X21.....	1	-	-	-	-----	QFE4
22	91262-740-003	SEAL, BRAKE CAM.....	1	-	-	-	-----	QFE4
23	91305-KE1-000	O-RING, 19.4X2.3.....	1	-	-	-	-----	QFE4
24	91352-740-003	O-RING, 100X2.....	1	-	-	-	-----	QFE4
25	91462-SA5-950	CLAMP D, 19MM.....	2	-	-	-	-----	QFE4

1999.07.20

E

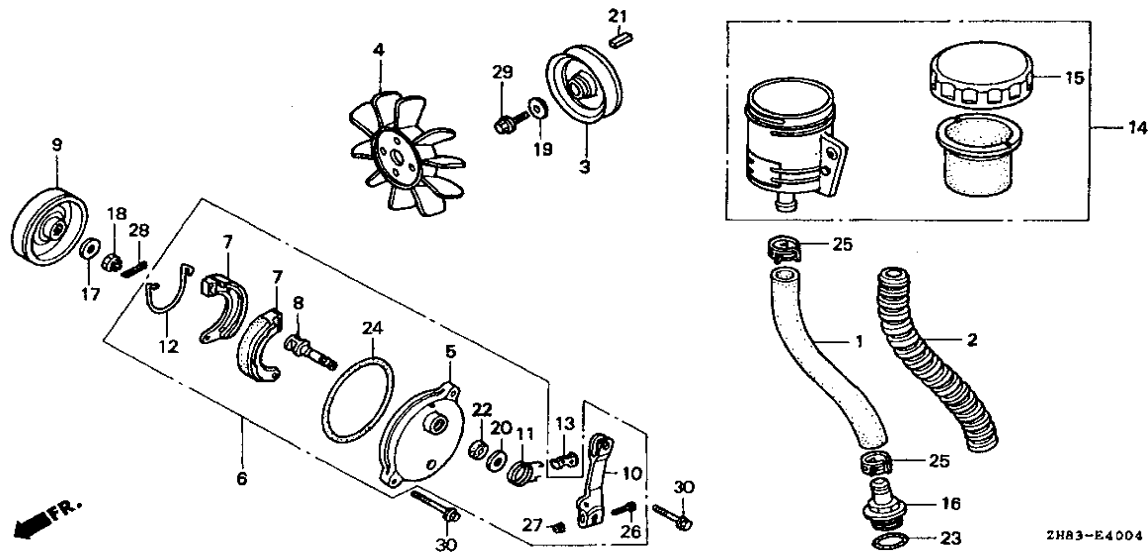
2

M 5

Oil tank/Brake panel

E-40-4

Service Item F.R.T.



Ref. No.	Part No.	Description	Reqd. QTY				Serial No.	Type
			GX160K1					
			(1)	(2)	(3)	(4)		
26	92101-05028-0A	BOLT, HEX., 5X28.....	1	-	-	-	-----	QFE4
27	94050-05000	NUT, FLANGE, 5MM.....	1	-	-	-	-----	QFE4
28	94201-20200	PIN, SPLIT, 2.0X20.....	1	-	-	-	-----	QFE4
29	95701-08020-00	BOLT, FLANGE, 8X20.....	1	-	-	-	-----	QFE4
30	95801-06028-00	BOLT, FLANGE, 6X28.....	2	-	-	-	-----	QFE4

**M 6**

Gasket kit

**EOP - 1**

Service Item F.R.T.

**2**

Ref. No.	Part No.	Description	Reqd. QTY				Serial No.	Type
			(1)	(2)	(3)	(4)		
	061A1-ZH8-020	GASKET KIT.....	1	1	1	-	-----	BIH, EN, ET, ETX, HH, HHQ4, HX, HXU, HX4, H1, KTA, LAX, LD, LD4, LH, LHQ4, LHW, LTA, LVSH, LWZ, LX, LXU, LX4, L1, PH, PHU, PM, PMZ, PX, PXU, QA, QD, QE, QFE4, QH, QHE, QHP1, QHQ4, QIH1, QM, QNT, QNT4, QT, QVSH, QWA4, QX, QXB, QXB1, QXE, QXE4, QXE8, QXU, QXW, QX4, QZ, Q1, RAC, RD, RD4, RH, RHQ4, RSK, RX, RXE, RXE4, RXU, RX4, R1, SAC, SD, SDB1, SDS, SD4, SE, SEE, SH, SHQ4, SHR4, SIH, STA, SWX, SWZ, SX, SXB, SXE, SXE4, SXU, SX4, S1, TH, THU, TX, TXU, TX4, T1, UH, UIH, UX, UXU, U1, VA, VEBM, VED, VED1, VED2, VED3, VH, VHQ4, VIH, VIH1, VS, VSD, VSD1, VSX, VSX1, VS1, VS3, VS4, VVSH, VX, VXE, VXE4, VXG, VXU, VXU1, VX4, V1, WIH1, WKT4, W1
	061A1-ZH8-040	..... (COMPONENT PARTS)	1	-	-	1	-----	HXE, HXE8, LDB1, LDB3, LDM, LSJ4, LSS4, NW, PHM, QAB1, QAB3, QBU2, QMC6, QMC8, QMD6, QMH, QNT2, QP, QXW2, RMB4, SAD2, SDB3, SDN, SDS2, SHM, SMB4, SMC7, SMC9, SWG4, SXS4, VGE4, VMB3, VMS4, VPM4, VPR4, VSB1, VSDP, VSW, VSX3, VTD, VTD1, VTE2, VTX, VTX1, VXE6, VXM, VXP, WMB0, WME4
1	11381-ZH8-800	PACKING, CASE COVER (NON ASBEST)	1	1	-	-	-----	3413169 EN, ET, ETX, HH, HHQ4, HX, HX4, KTA, LAX, LD, LD4, LH, LHQ4, LTA, LWZ, LX, LX4, L1, PH, PHU, PM, PMZ, PX, QA, QD, QE, QH, QHE, QHQ4, QM, QNT, QT, QX, QXB, QXE, QXE4, QXW, QX4, QZ, Q1, RAC, RD, RD4, RH, RHQ4, RSK, RX, RXE, RXE4, RX4, R1, SAC, SD, SDB1, SDS, SD4, SE, SEE, SH, SHQ4, STA, SWX, SWZ, SX, SXB, SXE, SXE4, SX4, S1, TH, THU, TX, TX4, T1, UH, UX, VA, VEBM, VED, VED1, VED2, VED3, VH, VHQ4, VS, VSD, VSD1, VSX, VSX1, VS1, VS3, VS4, VX, VXE, VXE4, VXG, VXU, VX4, V1, W1
			-	1	-	-	-----	H1, U1

M 7

Gasket kit

EOP - 1

Service Item F.R.T.

2

Ref. No.	Part No.	Description	Reqd. QTY				Serial No.	Type	
			(1)	(2)	(3)	(4)			
(1)	11381-ZH8-801	PACKING, CASE COVER (NON ASBEST)	1	-	1	1	-----	BIH, HXE, HXE8, HXU, LDB1, LDB3, LDM, LHW, LSJ4, LSS4, LVSH, LXU, NW, PHM, PXU, QAB1, QAB3, QBU2, QFE4, QHP1, QIH1, QMC6, QMC8, QMD6, QMH, QNT2, QNT4, QP, QVSH, QWA4, QXB1, QXE8, QXU, QXW2, SAD2, SDB3, SDN, SDS2, SHM, SHR4, SIH, SMB4, SMC7, SMC9, SWG4, SXS4, SXU, TXU, UIH, UXU, VGE4, VIH, VIH1, VMS4, VPM4, VPR4, VSB1, VSDP, VSW, VSX3, VTD, VTD1, VTE2, VTX, VTX1, VVSH, VXE6, VXM, VXP, VXU1, WIH1, WKT4, WMBO, WME4	
			1	1	-	-	3413170	-----	EN, ET, ETX, HH, HHQ4, HX, HX4, KTA, LAX, LD, LD4, LH, LHQ4, LTA, LWZ, LX, LX4, L1, PH, PHU, PM, PMZ, PX, QA, QD, QE, QH, QHE, QHQ4, QM, QNT, QT, QX, QXB, QXE, QXE4, QXW, QX4, QZ, Q1, R1, SAC, SD, SDB1, SDS, SD4, SE, SEE, SH, SHQ4, STA, SWX, SWZ, SX, SXB, SXE, SXE4, SX4, S1, TH, THU, TX, TX4, T1, UH, UX, VA, VEBM, VED, VED1, VED2, VED3, VH, VHQ4, VS, VSD, VSD1, VSX, VSX1, VS3, VS4, VX, VXE, VXE4, VXG, VXU, VX4, V1, W1
			1	-	-	-	3413170	4067884	RAC, RD, RD4, RH, RHQ4, RSK, RX, RXE, RXE4, RX4
			1	-	-	-	4067884	4067884	RMB4
	11381-ZL0-000	PACKING, CASE COVER.....	1	-	-	-	4067885	-----	RAC, RD, RD4, RH, RHQ4, RMB4, RSK, RX, RXE, RXE4, RX4
			1	-	-	-	-----	-----	RXU
2	12251-ZF1-800	GASKET, CYLINDER HEAD.....	1	1	1	1	-----	-----	BIH, EN, ET, ETX, HH, HHQ4, HX, HXE, HXE8, HXU, HX4, H1, KTA, LAX, LD, LDB1, LDB3, LDM, LD4, LH, LHQ4, LHW, LSJ4, LSS4, LTA, LVSH, LWZ, LX, LXU, LX4, L1, NW, PH, PHM, PHU, PM, PMZ, PX, PXU, QA, QAB1, QAB3, QBU2, QD, QE, QFE4, QH, QHE, QHP1, QHQ4, QIH1, QM, QMC6, QMC8, QMD6, QMH, QNT, QNT2, QNT4, QP, QT, QVSH, QWA4, QX, QXB, QXB1, QXE, QXE4, QXE8, QXU, QXW, QXW2, QX4, QZ, Q1, RAC, RD, RD4, RH, RHQ4, RMB4, RSK, RX, RXE, RXE4, RXU, RX4, R1, SAC, SAD2, SD, SDB1, SDB3, SDN, SDS, SDS2, SD4, SE, SEE, SH, SHM, SHQ4, SHR4, SIH, SMB4, SMC7, SMC9, STA, SWG4, SWX, SWZ, VS4, VTD, VTD1, VTE2, VTX, VTX1, VVSH, VX, VXE, VXE4, VXE6, VXG, VXM, VXP, VXU, VXU1, VX4, V1, WIH1, WKT4, WMBO, WME4, W1



Ref. No.	Part No.	Description	Reqd. QTY				Serial No.	Type	
			(1)	(2)	(3)	(4)			
3	12391-ZE1-000	PACKING, HEAD COVER.....	1	1	1	1	-----	BIH, EN, ET, ETX, HH, HHQ4, HX, HXE, HXE8, HXU, HX4, H1, KTA, LAX, LD LDB1, LDB3, LDM, LD4, LH, LHQ4, LHW, LSJ4, LSS4, LTA, LVSH, LWZ, LX, LXU LX4, L1, NW, PH, PHM, PHU, PM, PMZ, PX, PXU, QA, QAB1, QAB3, QBU2, QD, QE QFE4, QH, QHE, QHP1, QHQ4, QIH1, QM, QMC6, QMC8, QMD6, QMH, QNT, QNT2 QNT4, QP, QT, QVSH, QWA4, QX, QXB, QXB1, QXE, QXE4, QXE8, QXU, QXW, QXW2 QX4, QZ, Q1, RAC, RD, RD4, RH, RHQ4, RMB4, RSK, RX, RXE, RXE4, RXU, RX4 R1, SAC, SAD2, SD, SDB1, SDB3, SDN, SDS, SDS2, SD4, SE, SEE, SH, SHM SHQ4, SHR4, SIH, SMB4, SMC7, SMC9, STA, SWG4, SWX, SWZ, VS4, VTD, VTD1 VTE2, VTX, VTX1, VVSH, VX, VXE, VXE4, VXE6, VXG, VXM, VXP, VXU, VXU1 VX4, V1, WIH1, WKT4, WMBO, WME4, W1	
4	16212-ZH8-800	PACKING, INSULATOR.....	1	1	1	1	-----	BIH, EN, ET, ETX, HH, HHQ4, HX, HXE, HXE8, HXU, HX4, H1, KTA, LAX, LD LDB1, LDB3, LDM, LD4, LH, LHQ4, LHW, LSJ4, LSS4, LTA, LVSH, LWZ, LX, LXU LX4, L1, NW, PH, PHM, PHU, PM, PMZ, PX, PXU, QA, QAB1, QAB3, QBU2, QD, QE QFE4, QH, QHE, QHP1, QHQ4, QIH1, QM, QMC6, QMC8, QMD6, QMH, QNT, QNT2 QNT4, QP, QT, QVSH, QWA4, QX, QXB, QXB1, QXE, QXE4, QXE8, QXU, QXW, QXW2 QX4, QZ, Q1, RAC, RD, RD4, RH, RHQ4, RMB4, RSK, RX, RXE, RXE4, RXU, RX4 R1, SAC, SAD2, SD, SDB1, SDB3, SDN, SDS, SDS2, SD4, SE, SEE, SH, SHM SHQ4, SHR4, SIH, SMB4, SMC7, SMC9, STA, SWG4, SWX, SWZ, VS4, VTD, VTD1 VTE2, VTX, VTX1, VVSH, VX, VXE, VXE4, VXE6, VXG, VXM, VXP, VXU, VXU1 VX4, V1, WIH1, WKT4, WMBO, WME4, W1	
5	16221-ZH8-800	PACKING, CARBURETOR.....	1	1	1	-	-----	3427128	BIH, EN, ET, ETX, HH, HX, KTA, LAX, LD, LH, LTA, LWZ, LX, L1, PH, PHU, PM PMZ, PX, QA, QD, QE, QH, QHE, QM, QNT, QNZ, QT, QX, QXB, QXE, QXW, QZ, Q1 RAC, RD, RH, RSK, RX, RXE, R1, SAC, SD, SDB1, SDS, SE, SEE, SH, SIH, STA SWX, SWZ, SX, SXB, SXE, S1, TH, THU, TX, T1, UH, UIH, UX, VA, VEBM, VED VED1, VED2, VED3, VH, VS, VSD, VSD1, VSX, VSX1, VS1, VS3, VS4, VX, VXE VXG, VXU, V1, W1
			1	-	-	-	-----	3429382	HHQ4, HX4, LD4, LHQ4, LX4, QHQ4, QXE4, QX4, RD4, RHQ4, RXE4, RX4, SD4 SHQ4, SXE4, SX4, TX4, VHQ4, VXE4, VX4
			-	1	-	-	-----	-----	H1, U1
	16221-ZH8-801	.....	1	1	1	-	-----	3427129	BIH, EN, ET, ETX, HH, HX, KTA, LAX, LD, LH, LTA, LWZ, LX, L1, PH, PHU, PM PMZ, PX, QA, QD, QE, QH, QHE, QM, QNT, QNZ, QT, QX, QXB, QXE, QXW, QZ, Q1 RAC, RD, RH, RSK, RX, RXE, R1, SAC, SD, SDB1, SDS, SE, SEE, SH, SIH, STA SWX, SWZ, SX, SXB, SXE, S1, TH, THU, TX, T1, UH, UIH, UX, VA, VEBM, VED VED1, VED2, VED3, VH, VS, VSD, VSD1, VSX, VSX1, VS1, VS3, VS4, VX, VXE VXG, VXU, V1, W1
			1	-	-	-	-----	3429383	HHQ4, HX4, LD4, LHQ4, LX4, QHQ4, QXE4, QX4, RD4, RHQ4, RXE4, RX4, SD4 SHQ4, SXE4, SX4, TX4, VHQ4, VXE4, VX4
			1	-	1	1	-----	-----	HXE, HXE8, HXU, LDB1, LDB3, LDM, LHW, LSJ4, LSS4, LVSH, LXU, NW, PHM PXU, QAB1, QAB3, QBU2, QFE4, QHP1, QIH1, QMC6, QMC8, QMD6, QMH, QNT2 QNT4, QP, QVSH, QWA4, QXB1, QXE8, QXU, QXW2, RMB4, RXU, SAD2, SDB3, SDN SDS2, SHM, SHR4, SMB4, SMC7, SMC9, SWG4, SXS4, SXU, TXU, UXU, VGE4, VIH VIH1, VMB3, VMS4, VPM4, VPR4, VSB1, VSDP, VSW, VSX3, VTD, VTD1, VTE2 VTX, VTX1, VVSH, VXE6, VXM, VXP, VXU1, WIH1, WKT4, WMBO, WME4
6	18381-ZH8-800	GASKET, MUFFLER.....	1	1	1	1	-----	-----	BIH, EN, ET, ETX, HH, HHQ4, HX, HXE, HXE8, HXU, HX4, H1, KTA, LAX, LD LDB1, LDB3, LDM, LD4, LH, LHQ4, LHW, LSJ4, LSS4, LTA, LVSH, LWZ, LX, LXU LX4, L1, NW, PH, PHM, PHU, PM, PMZ, PX, PXU, QA, QAB1, QAB3, QBU2, QD, QE QFE4, QH, QHE, QHP1, QHQ4, QIH1, QM, QMC6, QMC8, QMD6, QMH, QNT, QNT2 QNT4, QP, QT, QVSH, QWA4, QX, QXB, QXB1, QXE, QXE4, QXE8, QXU, QXW, QXW2 QX4, QZ, Q1, RAC, RD, RD4, RH, RHQ4, RMB4, RSK, RX, RXE, RXE4, RXU, RX4 R1, SAC, SAD2, SD, SDB1, SDB3, SDN, SDS, SDS2, SD4, SE, SEE, SH, SHM SHQ4, SHR4, SIH, SMB4, SMC7, SMC9, STA, SWG4, SWX, SWZ, VS4, VTD, VTD1 VTE2, VTX, VTX1, VVSH, VX, VXE, VXE4, VXE6, VXG, VXM, VXP, VXU, VXU1 VX4, V1, WIH1, WKT4, WMBO, WME4, W1

2

PART NO. INDEX

Address Page			Address Page			Address Page			Address Page			Address Page			Address Page			
Part No.	No.	No.	Part No.	No.	No.	Part No.	No.	No.	Part No.	No.	No.	Part No.	No.	No.	Part No.	No.	No.	
06000			12310-ZE1-010	D2	25	14000			15721-ZE1-710	D3	26	16100-ZH8-E81	H7	94			M8	175
			12310-ZE1-840	D2	25				15721-ZE1-840	D3	26	16100-ZH8-T50	G12	83	16220-ZE1-004		G14	85
061A1-ZH8-020	M6	173	12310-ZE1-841	D2	25	14100-ZE1-812	F1	56	15721-ZH8-000	D3	26	16100-ZH8-T51	G12	83	16220-ZE1-020		G4	75
061A1-ZH8-040	M6	173	12391-ZE1-000	D2	25	14100-ZF1-000	F1	56	15721-883-030	D3	26	16100-ZH8-V20	G12	83			G7	78
06164-ZE1-000	G3	74		M8	175	14100-ZF1-010	F1	56				16100-ZH8-V21	G12	83			G14	85
	G7	78				14100-ZH8-C30	F1	56	16000			16100-ZH8-W50	G12	83			H9	96
	G9	80	13000			14100-ZH8-690	F3	58				16100-ZH8-W51	G12	83	16221-ZE1-000		G4	75
						14100-ZL0-000	F1	56	16010-ZB1-015	G3	74	16100-ZH8-W60	G12	83			G7	78
11000			13010-ZF1-023	E7	46	14410-ZE1-010	F1	56		H7	94	16100-ZH8-W61	G12	83			G14	85
			13010-ZF1-024	E7	46	14411-ZE1-611	L2	153	16010-ZE0-025	G3	74	16100-ZH8-W71	G4	75	16221-ZH8-800		G4	75
11106-GM2-300	L16	167	13010-ZH8-941	E10	49	14411-ZF1-611	L2	153		G9	80	16100-ZH8-800	G7	78			G7	78
11300-ZE1-000	D13	36	13010-ZH8-942	E10	49	14411-ZH7-V91	F3	58	16010-ZE1-812	G7	78	16100-ZH8-801	G7	78			G15	86
11300-ZE1-010	D13	36	13011-ZF1-023	E8	47	14411-ZK7-V01	L8	159		G9	80	16100-ZH8-810	G4	75			H8	95
11300-ZE1-612	D13	36	13011-ZF1-024	E8	47	14431-ZE1-000	F1	56	16011-ZE0-005	G3	74	16100-ZH8-811	G4	75			M8	175
11300-ZE1-613	D13	36	13011-ZH8-941	E10	49	14441-ZE1-000	F2	57		G7	78	16100-ZH8-812	G4	75	16221-ZH8-801		G4	75
11300-ZE1-632	D13	36	13011-ZH8-942	E11	50	14441-ZE1-010	F2	57		G9	80	16100-ZH8-820	G12	83			G7	78
11300-ZE1-633	D13	36	13012-ZF1-023	E8	47	14451-ZE1-003	F2	57	16013-ZE0-005	H7	94	16100-ZH8-821	G12	83			G15	86
11300-ZE1-640	D13	36	13012-ZF1-024	E8	47	14451-ZE1-013	F2	57		G3	74	16100-ZH8-822	G12	83			H8	95
11300-ZE1-641	D13	36	13012-ZH8-941	E12	51	14568-ZE1-000	F2	57		G7	78	16100-ZH8-831	H9	96			H9	96
11300-ZH8-F00	E3	42	13012-ZH8-942	E12	51	14711-ZF1-000	F2	57	16015-ZE0-831	G10	81	16100-ZH8-900	G12	83			M8	175
11300-ZK8-V00	E2	41	13013-ZF1-023	E9	48	14721-ZE7-000	F3	58		H7	94	16100-ZH8-901	G12	83	16269-ZE1-000		G14	85
11300-ZL0-690	E1	40	13013-ZF1-024	E9	48	14721-ZF1-000	F3	58		G3	74	16100-ZK8-V01	G4	75	16269-ZE1-800		G14	85
11381-ZB2-800	D13	36	13013-ZH8-941	E12	51	14721-ZH8-810	F3	58		G7	78	16124-ZE0-005	G4	75			H8	95
11381-ZE1-000	D14	37	13013-ZH8-942	E13	52	14751-ZF1-000	F3	58		G10	81		G7	78	16271-ZE1-000		H10	97
11381-ZH8-800	D14	37	13101-ZE1-010	E13	52	14771-ZE1-000	F3	58	16015-ZE1-811	H7	94		G13	84			I1	104
	M6	173	13101-ZF1-901	E13	52	14773-ZE1-000	F3	58		G3	74		H7	94			I3	106
11381-ZH8-801	D14	37	13101-ZH8-000	E13	52	14781-ZE1-000	F3	58		G7	78		H9	96	16500-ZH8-U40		K1	136
	E3	42	13102-ZF1-010	E14	53	14791-ZE1-010	F3	58		G10	81	16166-ZF1-005	G13	84	16500-ZH8-U41		K2	137
	M7	174	13102-ZF1-901	E14	53					H7	94	16166-ZH8-D20	H7	94	16500-ZH8-U42		K2	137
11381-ZK8-V00	E2	41	13102-ZH8-000	E14	53	15000			16015-ZH8-D20	H7	94	16166-ZH8-E80	H8	95	16500-ZH8-000		K1	136
11381-ZL0-000	D14	37	13103-ZF1-010	E14	53	15422-776-000	M4	171	16016-ZE0-005	G3	74	16166-ZH8-W00	G14	85	16500-ZH8-010		K1	136
	M7	174	13103-ZF1-901	E14	53	15428-767-000	M4	171		G7	78	16166-ZH8-W50	G4	75	16500-ZH8-020		K1	136
11500-ZE1-610	L2	153	13103-ZH8-000	E14	53	15500-ZK8-V00	E2	41		G10	81		G13	84	16500-ZH8-030		K1	136
11500-ZK7-V00	L8	159	13104-ZF1-010	E14	53	15510-ZK8-V00	E2	41	16016-ZH7-W01	H7	94	16166-ZH8-W60	G4	75	16500-ZH8-810		K1	136
11521-ZE1-610	L2	153	13104-ZF1-901	E14	53	15510-ZE1-003	D8	31		G6	77		G14	85	16500-ZH8-811		K2	137
11521-ZH8-800	L2	153	13104-ZH8-000	E14	53	15510-ZE1-013	D8	31		G10	81	16166-ZH8-800	G7	78	16500-ZH8-812		K2	137
11521-ZK7-V00	L8	159	13111-ZE1-000	E14	53	15510-ZE1-023	D8	31		H7	94	16166-ZH8-810	G4	75	16500-ZH8-820		K2	137
			132A0-ZE1-000	E15	54	15510-ZE1-033	D8	31	16016-ZH8-W01	G10	81		G13	84	16500-ZH8-821		K2	137
12000			13200-ZE1-000	E14	53	15520-ZB2-003	F13	68	16024-ZE1-811	G3	74	16166-ZK8-V01	G4	75	16500-ZH8-822		K2	137
			13200-ZE1-010	E15	54	15520-ZE1-003	F13	68		G7	78	16173-001-004	G7	78	16500-ZH8-823		K2	137
12000-ZF1-020	D7	30	13310-YB4-010	E4	43	15520-ZE1-822	F13	68		G11	82		G14	85	16500-ZH8-830		K1	136
12000-ZF1-812	D7	30	13310-ZB2-000	E4	43		K14	149		H7	94		I16	119	16500-ZH8-840		K1	136
12000-ZH8-T01	D7	30	13310-ZE1-000	E4	43	15550-ZK8-P90	L15	166	16028-ZE0-005	G4	75	16198-ZG0-000	J5	124	16500-ZH8-851		K2	137
12000-ZH8-000	D7	30	13310-ZE1-601	E4	43	15552-ZB9-000	L15	166		G7	78	16199-KCR-000	J5	124	16500-ZH8-852		K2	137
12000-ZH8-010	D7	30	13310-ZE1-610	E4	43	15600-ZE1-000	D14	37		G11	82	16211-ZE1-000	G4	75	16500-ZH8-861		K2	137
12000-ZH8-691	D7	30	13310-ZE1-621	E4	43	15600-ZE1-003	D14	37		H7	94		G7	78	16500-ZH8-862		K2	137
12000-ZH8-811	D8	31	13310-ZE1-622	E4	43		E2	41	16044-ZE0-005	G4	75		G14	85	16500-ZH8-870		K2	137
12000-ZH8-901	D7	30	13310-ZE1-630	E4	43	15600-ZF0-000	D14	37		G12	83		H8	95	16500-ZH8-880		K1	136
12204-ZE1-305	D1	24	13310-ZE1-641	E4	43	15600-ZF0-003	D14	37		H7	94		H9	96	16500-ZH8-881		K1	136
12204-ZE1-306	D1	24	13310-ZE1-650	E4	43	15600-ZG4-003	D15	38	16044-ZF1-901	G12	83	16212-ZH8-000	G4	75	16500-ZH8-890		K2	137
12205-ZE1-315	D1	24	13310-ZE1-660	E4	43	15620-ZG4-910	D15	38	16044-ZH8-831	H9	96		G7	78	16500-ZH8-891		K2	137
12210-ZH8-000	D1	24	13310-ZE1-670	E4	43	15621-896-010	D16	39	16044-ZK8-V00	G4	75		G14	85	16500-ZH8-892		K2	137
12216-ZE5-300	D2	25	13310-ZH8-R00	E4	43	15625-ZE1-000	D16	39	16080-898-631	J7	126	16212-ZH8-800	G4	75	16500-ZK8-000		K1	136
12251-ZF1-000	D2	25	13310-ZH8-690	E6	45	15625-ZE1-003	D16	39	16081-471-831	J7	126		G7	78	16500-ZK8-010		K1	136
12251-ZF1-800	D2	25	13310-ZK8-V00	E5	44		E2	41	16100-ZH8-D20	H7	94		G14	85	16500-ZK8-910		K1	136
	M7	174	13331-357-000	J9	128		E2	41	16100-ZH8-D21	H7	94		H8	95	16500-ZK8-911		K2	137
12310-ZE1-000	D2	25					E3	42	16100-ZH8-E80	H7	94		H9	96	16500-ZK8-920		K2	137

Address Page			Address Page			Address Page			Address Page			Address Page			Address Page		
Part No.	No.	No.	Part No.	No.	No.	Part No.	No.	No.	Part No.	No.	No.	Part No.	No.	No.	Part No.	No.	No.
16500-ZK8-921	K2	137		G8	79	17211-ZE1-000	H15	102	17510-ZB4-000ZA	J1	120	18338-ZK8-V01	I15	118	19613-ZE1-000	F15	70
16506-ZL0-000	D8	31		G16	87	17212-ZB2-000	I5	108	17510-ZE1-020ZA	J1	120	18340-ZE1-010	I8	111	19613-ZE1-010	F15	70
16510-ZE1-000	D8	31		H9	96	17212-ZE1-000	H15	102	17510-ZE1-020ZB	J1	120	18355-ZE1-000	I8	111	19613-ZE1-020	F15	70
	O9	32	16610-ZE1-810	G5	76	17218-ZE1-821	H11	98	17510-ZE1-020ZF	J1	120	18355-ZE1-810	I11	114	19630-ZB2-000	F16	71
	D9	32		G8	79		I3	106	17510-ZE1-020ZG	J1	120	18355-898-630	I14	117	19630-ZH8-000	F16	71
16531-ZE1-000	D9	32		G16	87	17218-ZK7-V01	I6	109	17510-ZE1-020ZK	J1	120	18381-ZE1-800	I14	117	19640-ZB2-000	F16	71
16541-ZE1-000	D9	32		G5	76	17219-Z33-010	I3	106	17510-ZE1-020ZL	J1	120	18381-ZH8-000	I8	111	19640-ZB2-010	F16	71
16550-ZK7-V00	K3	138	16615-ZE1-010	G8	79	17220-ZB2-000	I5	108	17510-ZF1-T00ZA	J1	120		I11	114	19640-ZH8-R60	F16	71
16551-ZE0-010	K3	138		G16	87	17230-ZE1-820	H11	98	17620-ZE2-W00	J2	121		I13	116			
16551-ZL0-000	K3	138	16617-890-010	G5	76		I3	106	17620-ZH7-013	J2	121	18381-ZH8-800	I8	111	20000		
16555-ZE1-000	K4	139		G8	79	17230-ZE1-841	I3	106		J7	126		I11	114			
16561-ZE1-020	K4	139		G16	87	17230-ZK7-V01	I6	109	17620-ZH7-023	J2	121		I13	116	20005-766-003	M3	170
16561-ZH8-D00	K4	139		G16	87	17231-ZB2-000	I5	108		J7	126		I14	117			
16561-ZH8-940	K4	139	16620-ZF1-900	G16	87	17231-ZE1-000	H15	102	17620-890-010	J2	121		I15	118	21000		
16561-ZL0-U30	K4	139	16727-705-000	K8	143	17232-891-000	H12	99		J7	126		M8	175			
	L15	166	16729-705-010	K8	143		I3	106	17620-899-013	J2	121	18431-ZH8-W50	I8	111	21111-766-000	L16	167
16561-ZL0-000	K4	139	16854-ZH8-000	I16	119	17233-896-701	I7	110	17631-ZH7-003	J2	121		I11	114	21171-766-000	M3	170
16562-ZE1-020	K4	139	16854-ZH8-810	J6	125		I11	114		J7	126	18433-ZH8-W40	I8	111	21178-766-000	M3	170
16570-ZB2-000	K4	139	16910-GB2-005	J6	125	17235-ZE1-830	H12	99	17631-329-003	J2	121		I11	114	21210-766-000	L16	167
	K5	140	16910-ZG0-U01	J6	125	17235-ZE1-831	H12	99		J7	126	18434-ZH8-W40	I9	112	21281-740-020	L16	167
16570-ZE1-711	K2	137	16950-ZB4-015	I16	119	17238-ZE7-010	H12	99	17631-899-000	J2	121	18436-ZH8-W40	I9	112	21510-883-621	L4	155
16570-ZE1-712	K2	137	16950-732-000	I16	119		H15	102	17670-ZB2-000	J7	126		I9	112	21521-883-741	L7	158
16570-ZE1-713	K2	137	16950-898-632	J7	126		I1	104	17670-ZH7-A21	J7	126		I12	115	21591-ZH8-620	L4	155
16570-ZK8-U30	K5	140	16952-ZB4-005	I16	119		I3	106	17670-899-000	J3	122	18466-ZH8-W40	I9	112	21591-ZH8-740	L7	158
16571-ZH8-S00	K5	140	16952-883-005	I16	119		I6	109	17672-ZE2-W00	J3	122		I12	115	21610-822-611	L4	155
16571-ZH8-S01	K6	141		J7	126	17239-ZB2-000	I5	108	17672-ZE2-W01	J3	122	18521-ZD8-K61	I14	117	21621-883-741	L7	158
16571-ZH8-000	K5	140		G16	87	17239-ZE1-000	H12	99		J7	126	18522-ZE1-000	I9	112	21691-ZH8-800	L4	155
16571-ZH8-010	K6	141	16953-ZE1-811	G5	76		H15	102	17672-880-000	J3	122		I9	112	21692-ZH8-800	L7	158
16571-ZH8-020	K6	141	16953-ZE1-812	G8	79		I1	104	17673-893-000	J3	122	19000			21913-740-000	L16	167
16571-ZH8-840	K5	140		G16	87		I6	109		J7	126				21914-740-000	L16	167
16574-ZE1-000	K6	141	16953-883-691	I16	119	17239-Z33-000	I3	106	17682-817-020	J3	122	19511-ZE1-000	J9	128	21931-766-000	L16	167
16575-ZH8-000	K6	141	16954-ZE1-811	G8	79	17251-ZE0-S10	I6	109	18000			19610-ZB2-601ZB	F14	69			
16576-891-000	K6	141	16954-ZE1-812	G5	76	17252-ZB2-000	I5	108				19610-ZE1-000ZA	F13	68	22000		
16578-ZE1-000	K6	141		G8	79	17255-758-000	I6	109				19610-ZE1-000ZC	F13	68			
16580-ZH8-000	K7	142		G16	87	17401-ZE1-810	I1	104	18310-ZB3-C00	I14	117	19610-ZE1-000ZB	F13	68	22121-883-620	L4	155
16580-ZH8-010	K7	142	16954-ZF0-841	G16	87	17402-ZE1-810	I1	104	18310-ZE1-821	I11	114	19610-ZE1-000ZF	F13	68	22201-822-610	L4	155
16580-ZH8-020	K8	143	16955-ZE1-000	I16	119	17403-ZE1-810	I1	104	18310-ZE1-900	I7	110	19610-ZE1-000ZG	F13	68	22311-822-610	L4	155
16580-ZH8-030	K8	143	16956-ZE1-811	G5	76	17404-841-000	I1	104	18310-ZF1-000	I7	110	19610-ZE1-000ZK	F13	68	22350-822-610	L4	155
16580-ZH8-810	K7	142		G8	79	17410-ZE1-P30	I6	109	18310-ZH8-810	I7	110	19610-ZE1-000ZL	F13	68	22411-734-700	M4	171
16580-ZH8-811	K7	142		H1	88	17410-ZE1-020	H12	99	18310-ZK7-V01	I15	118	19610-ZE1-000ZM	F13	68	22411-822-611	L4	155
16580-ZH8-812	K8	143		G5	76		H15	102	18315-ZE1-000	I11	114	19610-ZE1-000ZN	F13	68	22421-822-610	L4	155
16580-ZH8-813	K8	143	16957-ZE1-812	G5	76	17410-ZE1-840	I3	106	18320-ZB2-000	I14	117	19610-ZE1-810ZA	F14	69	22521-822-610	L4	155
16580-ZH8-850	K7	142		G8	79	17421-ZE1-000	H16	103	18320-ZE1-T02	I8	111	19610-ZE1-820ZA	F14	69	22531-883-620	L4	155
16580-ZH8-851	K7	142		H1	88		I1	104	18320-ZE1-000	I8	111	19610-ZE1-830ZB	F14	69	22535-822-610	L4	155
16580-ZH8-852	K8	143	16958-397-771	I16	119		I1	104	18320-ZF1-H00	I8	111	19610-ZH8-T50ZA	F13	68			
16582-883-300	G5	76	16959-471-831	J1	120	17470-ZE1-841	I3	106	18320-ZF1-H01	I8	111	19610-ZK8-V00ZA	F14	69	23000		
	G7	78	16967-GA6-671	J1	120	17475-ZE1-841	I3	106	18320-ZF1-H50	I11	114	19611-ZH8-810	F15	70			
	G15	86	16967-ZE0-811	G8	79	17476-ZE1-841	I3	106	18320-ZF1-H51	I11	114	19611-ZH8-820	F15	70	23110-ZE1-610	L2	153
16584-883-300	F13	68		H2	89	17478-ZE1-841	I3	106	18321-ZF1-910	I13	116	19612-ZH8-000	F14	69	23112-740-000	M2	169
	K8	143	17000			17500-ZE1-813ZA	J1	120	18320-ZH8-000	I7	110	19612-ZH8-810	F14	69	23120-883-620	L5	156
16592-ZE1-810	K8	143				17505-ZB2-003	J1	120	18321-ZH8-820	I11	114	19612-ZH8-811	F14	69	23121-ZK7-V00	L8	159
16594-883-010	K8	143					J7	126	18325-ZB2-000	I14	117	19612-ZH8-812	F14	69	23151-ZK7-V00	L8	159
16598-ZE1-000	G5	76	17200-ZK7-V01	I6	109	17505-ZE1-013	J1	120	18325-ZE1-010	I8	111	19612-ZH8-820	F14	69	23161-822-610	L5	156
	G8	79	17201-ZF1-900	I4	107	17510-ZB2-000ZA	J7	126	18329-ZB2-000	I14	117	19612-ZH8-821	F14	69	23161-822-611	L5	156
	G15	86	17210-ZE1-822	H10	97	17510-ZB2-000ZB	J7	126	18330-ZB2-000	I14	117	19612-ZH8-830	F14	69	23218-766-000	M3	170
16599-ZG1-M10	K8	143		I3	106	17510-ZB2-000ZG	J7	126	18331-883-810	I11	114	19612-ZH8-840	F15	70	23221-740-000	M2	169
16610-ZB2-000	H8	95	17210-ZK7-V01	I6	109	17510-ZB2-000ZH	J7	126	18338-ZB3-E30	I14	117	19612-ZK8-V00	F14	69	23231-740-000	M2	169
16610-ZE1-000	G5	76	17211-ZB2-000	I5	108												

**3**

Address Page			Address Page			Address Page			Address Page			Address Page			Address Page		
Part No.	No.	No.	Part No.	No.	No.	Part No.	No.	No.	Part No.	No.	No.	Part No.	No.	No.	Part No.	No.	No.
23407-766-000	M2	169	28422-ZH8-003	F6	61	31217-ZE1-722	J14	133	32410-ZE1-000	J14	133	40181-776-000	M2	169	87000		
23411-740-010	M2	169	28422-ZH8-013	F6	61	31220-ZE1-013	J14	133	32411-ZE1-000	J14	133	40310-740-010	L16	167	87101-ZB3-E30	L9	160
23422-740-000	M2	169	28423-ZE1-003	F11	66	31220-ZE1-722	J14	133	32411-253-000	J14	133	40320-740-010	L16	167	87101-735-000	L9	160
23431-776-000	M2	169	28431-ZE1-003	F11	66	31221-ZE1-003	J14	133	32901-MA1-000	F10	65	40331-740-000	L16	167		L10	161
23511-740-000	M2	169	28433-ZH8-003	F6	61	31222-ZE1-003	J14	133	32902-892-003	K12	147	40491-776-003	M4	171		L10	161
23521-740-000	M2	169	28441-ZE1-003	F11	66	31223-ZE1-003	J14	133				41000			87106-ZH8-800	L10	161
23581-740-000	M2	169	28441-ZH8-003	F7	62	31224-ZE1-003	J14	133				41131-766-000	M3	170	87124-ZV3-010	L9	160
23710-ZE1-613	L2	153	28442-ZE1-003	F11	66	31230-ZE1-003	J14	133	34000			41141-740-000	M2	169	87502-ZB2-600	L9	160
23710-883-740	L7	158	28442-ZH8-003	F7	62	31235-ZE1-013	J14	133				41141-740-000	M2	169	87521-ZH8-Y10	L10	161
23711-822-610	L5	156	28443-ZE1-003	F11	66	31425-ZB2-000ZA	L1	152	34150-ZH7-003	G2	73				87521-ZH8-000	L9	160
			28443-ZH8-003	F8	63	31510-ZE1-003	J12	131		K13	148				87521-ZH8-010	L10	161
25000			28445-ZE1-003	F12	67	31510-ZE1-711	J12	131		K16	151	42000			87521-ZH8-810	L9	160
			28446-ZE1-003	F12	67	31510-ZE1-721	J12	131				42311-766-000	M2	169	87521-ZH8-910	L10	161
25611-733-000	L16	167	28447-ZE1-003	F12	67	31510-ZE1-811	J12	131	35000						87521-ZH8-911	L10	161
25620-805-611	L5	156	28448-ZE1-003	F12	67	31510-ZE1-821	J12	131				43000			87521-ZH8-950	L10	161
25651-883-621	L5	156	28450-ZH8-811	J9	128	31510-ZE1-831	J12	131	35100-ZE1-013	J14	133				87522-ZB3-K01	L12	163
			28451-ZE1-003	J9	128	31511-ZE1-000	J12	131	35100-ZE1-812	K12	147				87522-ZE1-010	L10	161
28000			28451-ZH8-003	J9	128	31512-ZE1-000	J12	131		K15	150	43100-740-000	M4	171	87522-ZE1-810	L10	161
			28461-ZE1-003	F12	67	31600-KE1-010	K12	147	35100-ZH8-R90	K12	147	43100-776-000	M4	171	87522-ZH8-W40	L10	161
28400-ZB2-000ZB	F11	66	28461-ZH8-003	F8	63		K14	149	35111-880-003	J14	133	43125-GZ9-003	M4	171	87522-ZH9-700	L9	160
28400-ZB2-000ZD	F11	66	28462-ZE1-003	F12	67	31600-ZE2-861	K12	147		K12	147	43141-740-000	M4	171	87522-ZH9-000	L9	160
28400-ZB2-000ZE	F11	66	28462-ZH8-003	F8	63	31610-ZE1-812ZB	K12	147		K15	150	43210-751-003	M4	171	87522-ZH9-820	L9	160
28400-ZB2-000ZF	F11	66	28462-ZH8-821	F8	63	31610-ZE1-833ZB	K14	149	35120-746-C21	L15	166	43410-740-000	M4	171	87522-883-660	L10	161
28400-ZB2-000ZG	F11	66				31610-ZE1-834ZB	K14	149				43417-776-000	M4	171	87524-883-690	L10	161
28400-ZE1-003ZA	F11	66	30000			31610-ZE1-835ZB	K14	149	36000						87525-ZH8-810	L10	161
28400-ZH8-003ZA	F4	59				31610-ZH8-R92ZA	K12	147				45000			87528-ZB2-630	L10	161
28400-ZH8-013ZA	F4	59	30500-ZE1-023	J11	130	31610-ZH8-R93ZA	K12	147	36100-ZE1-015	F16	71				87528-ZE1-000	L10	161
28400-ZH8-013ZB	F4	59	30500-ZE1-033	J11	130	31610-ZH8-W51ZB	K12	147	36100-ZH7-W41	F16	71	45133-044-000	M4	171	87528-ZE1-690	L10	161
28400-ZH8-013ZC	F4	59	30590-GBF-850	L9	160	31610-ZH8-W52ZB	K12	147	36100-ZH7-003	F16	71	45135-740-000	M4	171	87528-ZE1-810	L10	161
28400-ZH8-013ZD	F4	59	30590-GBF-851	L9	160	31610-ZK8-W41ZA	K14	149	36100-ZH8-W41	F16	71				87528-ZG0-810	L11	162
28400-ZH8-013ZE	F4	59	30600-ZE1-013	J12	131	31610-ZK8-W42ZA	K14	149	36100-ZH8-W81	F16	71	50000			87528-ZH8-800	L10	161
28400-ZH8-013ZF	F4	59	30700-ZE1-013	J12	131	31612-ZE2-003	K12	147	36100-ZH8-W82	F16	71				87528-733-690	L11	162
28400-ZH8-013ZG	F4	59	30700-ZE8-003	J11	130		K14	149	36101-ZB2-010	G1	72	50319-ZB2-000	J7	126	87528-883-661	L11	162
28400-ZH8-013ZT	F4	59	30700-ZF5-013	J11	130	31614-ZE2-003	K12	147	36101-ZE1-010	G1	72	50339-ZR4-T60	E3	42	87529-ZE2-811	K13	148
28400-ZH8-013ZV	F5	60					K14	149	36106-892-003	L1	152					K15	150
28400-ZH8-821ZA	F5	60	31000			31615-ZE1-003ZB	K12	147	36110-ZB2-003	L1	152	56000			87529-ZE2-831	K15	150
28400-ZH8-822ZA	F5	60					K14	149	36135-PH3-004	H9	96				87529-ZE2-860	K13	148
28410-ZB2-000ZB	F11	66	31100-ZE1-000	J9	128	31630-ZE1-003	J12	131				56850-767-000	M4	171	87529-ZH8-W40	K13	148
28410-ZB2-000ZE	F11	66	31100-ZE1-010	J9	128	31630-ZF1-801	J12	131	38000			56862-767-300	M4	171	87529-ZH9-W40	K15	150
28410-ZB2-000ZF	F11	66	31100-ZE1-810	J10	129	31630-ZH8-W01	J12	131				56955-766-000	M4	171	87530-ZH8-810	L11	162
28410-ZB2-000ZG	F11	66	31100-ZE1-811	J10	129	31700-124-008	J14	133	38220-ZE1-000	J14	133				87532-ZB4-660	L11	162
28410-ZB2-000ZH	F11	66	31100-ZE1-820	J10	129		K12	147	38240-VA3-900	J14	133	68000			87532-ZB4-H50	L12	163
28410-ZE1-003ZA	F11	66	31100-ZE1-821	J10	129		K14	149		K12	147				87532-ZE1-810	L12	163
28410-ZH8-003ZA	F5	60	31100-ZH8-S41	J10	129	32000			38240-ZE1-000	J14	133	68326-ZB2-000	D9	32	87532-ZH8-W40	L12	163
28410-ZH8-003ZB	F5	60	31100-ZH8-W00	J10	129				38250-ZA8-701	K13	148	68327-ZB2-000	D9	32	87532-ZH8-810	L11	162
28410-ZH8-003ZC	F5	60	31100-ZH8-W02	J10	129					K15	150					L12	163
28410-ZH8-003ZD	F5	60	31204-ZE1-003	J13	132	32105-ZE1-000	J12	131		K15	150	78000			87532-ZH9-V00	L12	163
28410-ZH8-003ZE	F5	60	31204-ZE1-721	J13	132	32105-ZH8-V10	G2	73	38250-898-000	J14	133				87532-ZH9-W40	L12	163
28410-ZH8-003ZF	F5	60	31206-KN7-670	J13	132	32110-ZB5-G30	K12	147	38251-898-000	J14	133	78118-YB0-003	L15	166	87533-ZA7-650	L12	163
28410-ZH8-003ZQ	F5	60	31210-ZE1-023	J13	132	32110-ZE2-860	K12	147	38252-898-000	J14	133				87533-ZC0-630	L12	163
28410-ZH8-003ZT	F5	60	31210-ZE1-723	J13	132	32110-ZH8-W00	K16	151	38253-898-000	J14	133	81000			87534-ZE1-841	L12	163
28410-ZH8-003ZW	F5	60	31212-ZE1-003	J13	132	32127-738-700	K12	147	38254-898-000	J14	133				87535-ZE1-840	L12	163
28414-ZK8-V70	F9	64	31214-ZE1-003	J13	132		K14	149				81329-567-020	G1	72	87539-ZA8-660	L12	163
28420-ZE1-003	F11	66	31215-ZE1-003	J13	132	32130-ZE1-000	J14	133	40000						87539-ZB2-630	L12	163
28420-ZH8-003	F6	61	31216-ZE1-003	J13	132	32197-ZE1-003	K15	150				83000			87539-898-620	L12	163
28420-ZH8-013	F6	61	31216-ZE1-731	J13	132	32197-ZH8-003	F16	71	40111-740-000	L16	167				87565-ZB4-A00	L12	163
28422-ZE1-003	F11	66	31217-ZE1-013	J14	133	32343-892-003	L1	152	40112-740-003	L16	167	83501-ZF1-000	L13	164	87565-ZE2-A01	L12	163

Address Page			Address Page			Address Page			Address Page			Address Page			Address Page		
Part No.	No.	No.	Part No.	No.	No.	Part No.	No.	No.	Part No.	No.	No.	Part No.	No.	No.	Part No.	No.	No.
87565-ZE2-810	L12	163	90050-ZE3-H00	I12	115	90502-187-701	J15	134	91206-733-024	L16	167	93500-04008-0A	G6	77			
87586-ZH7-W00	L12	163	90050-ZH8-W40	I10	113	90503-898-000	J3	122	91251-740-003	L16	167		G8	79			
87594-ZB3-C00	L12	163		I12	115	90506-500-000	J3	122	91252-888-003	L8	159		H2	89	94111-04800	K13	148
87594-ZB4-A00	L12	163	90055-ZE1-000	I10	113		J7	126	91262-740-003	M4	171	93500-04012-0H	K13	148		K16	151
				I12	115	90529-126-770	M4	171	91301-ZE1-003	J16	135		K16	151	94111-08000	L6	157
89000			90057-671-000	L16	167	90540-740-000	M3	170	91301-766-003	M3	170	93500-04020-0A	I6	109	94201-20120	M1	168
			90071-MB0-000	J15	134	90551-ZE1-000	E16	55	91301-805-000	L5	156	93500-05008-0A	G6	77	94201-20200	M5	172
89000-ZE1-000	L13	164	90101-733-921	L15	166	90601-ZE1-000	D10	33	91303-800-000	L16	167		G8	79	94251-08000	D11	34
89000-ZH7-T00	L14	165	90114-SA0-000	K10	145		L15	166	91304-MJ0-003	E2	41		H2	89		J4	123
89001-ZF1-000	L13	164	90115-GB4-700	J15	134	90601-ZH7-013	F15	70	91305-KE1-000	M4	171	93500-05016-0A	K11	146	94301-08100	J16	135
89102-538-000	L13	164	90115-459-770	I5	108	90602-ZE1-000	D10	33	91307-639-000	M3	170	93500-05020-0H	K10	145		L6	157
89103-538-000	L13	164	90121-ZE0-000	K10	145	90603-ZE1-003	J15	134	91352-740-003	M4	171	93500-05025-0A	K10	145	94301-08140	O16	39
89210-ZF1-000	L13	164	90121-ZE1-000	K10	145	90605-230-000	G5	76	91353-671-004	D10	33	93500-05025-0H	K10	145		E3	42
89216-ZF1-000	L13	164	90121-952-000	G2	73		G8	79		J4	123	93500-05032-0H	K10	145		L3	154
89216-ZH8-S00	L13	164		J12	131		H2	89	91402-ZE6-003	J16	135	93500-05035-0A	G2	73		M1	168
89216-809-000	L13	164		J15	134		K10	145	91403-ZE6-003	J16	135		K10	145	94301-10160	D4	27
89218-ZE1-000	L13	164	90131-ZE1-000	D9	32	90630-751-000	G2	73	91403-750-800	J6	125	93500-05040-0G	G2	73	94303-08140	E2	41
89219-805-000	L14	165	90131-883-000	L7	158		K13	148	91406-ZE2-003	K13	148		K10	145		L8	159
			90201-415-000	H12	99		K15	150		K16	151	93600-05010-0A	J4	123	94305-20122	G6	77
90000				H16	103	90631-ZE1-003	J15	134	91462-SA5-950	M4	171		J8	127		G8	79
				I2	105	90631-ZE1-720	J15	134	91473-PA1-003	J6	125	93891-06020-07	I10	113		H2	89
90001-ZE1-000	E15	54		I3	106	90682-ZE1-000	K13	148	91551-776-000	M2	169		I12	115		H8	95
90001-ZK7-V00	L15	166	90201-878-003	J10	129		K15	150	91551-898-000	J4	123	93891-06040-00	L1	152		H9	96
90002-ZG0-003	I10	113	90203-PB2-000	H13	100	90690-SA0-003	K13	148	91552-776-000	M2	169	93892-05014-08	J16	135	94510-22000	M3	170
90002-ZK7-V00	L15	166		H16	103		K15	150	91552-898-000	J8	127	93892-05020-08	J16	135	94510-25000	M2	169
90002-883-740	L7	158		I2	105	90741-732-000	M4	171				93893-05016-00	K10	145	94520-50000	M3	170
90003-ZE1-000	E4	43		I3	106	90741-883-621	L5	156	92000						94520-50000	M5	170
90003-ZH8-003	F9	64	90203-ZA0-800	H13	100	90741-883-810	E5	44								M1	168
90010-ZE1-003	J14	133		H16	103		E6	45	92000-08025-0A	E4	43	94000					
90012-ZE0-010	F3	58		I2	105	90741-889-810	L2	153	92000-08035-0A	L2	153	94001-04390-0S	K13	148	95001-45025-40	J4	123
90012-ZE1-003	J15	134		I3	106	90745-ZE1-600	L5	156	92101-05028-0A	L5	156	94001-08000-0S	K16	151	95001-45035-40	J6	125
90012-ZE1-721	J15	134	90206-ZE1-000	F3	58	90752-735-000	E5	44	92101-08020-0A	M5	172		I10	113	95001-45095-40	J8	127
90013-883-000	D4	27	90300-GB0-900	I3	106	90851-898-000	L16	167	92101-08025-0A	I14	117		I12	115	95001-45110-40	J6	125
	G1	72	90301-740-003	M4	171	90852-898-000	J3	122		E5	44		I13	116	95001-45140-40	J4	123
	K9	144	90302-KF9-900	I10	113	90854-ZB2-000	J8	127		E6	45		I14	117	95001-45150-40	J8	127
	L16	167		I12	115		J3	122		L3	154		I15	118		M1	168
90014-952-000	E2	41	90325-044-000	H13	100		J8	127	92101-08035-0A	L8	159	94050-05000	M5	172	95001-45180-40	J4	123
90015-ZE5-010	K9	144		H14	101	90854-ZB3-000	J3	122	92800-12000	L5	156	94050-06000	H14	101	95001-45250-40	J8	127
90015-883-000	J12	131		H16	103	90871-733-003	J8	127		L5	156		H16	103	95001-45260-40	J8	127
	L2	153		I2	105		M2	169		L16	167		I2	105	95001-45300-40	J4	123
90016-ZE1-000	D3	26		I3	106	91000							I3	106	95001-45350-40	J4	123
	I12	115	90380-MA6-010	K13	148				93000				I4	107	95001-45400-60	G6	77
90016-ZG9-N30	K9	144		K15	150	91001-GF6-004	E1	40	93404-06020-08	H14	101		I6	109	95001-45430-40	J4	123
90017-PE0-000	M4	171	90401-752-003	L16	167	91001-ZF1-003	D10	33		H16	103		I14	117	95002-02070	E2	41
90017-883-000	J15	134	90403-883-620	L5	156	91001-ZF1-004	D10	33	93494-06020-08	H14	101		I15	118	95002-02080	J5	124
90018-ZE1-000	J12	131	90411-744-000	L16	167	91001-878-003	M3	170		H16	103		J4	123		J8	127
90019-883-000	J12	131	90429-PD1-000	L16	167	91201-766-003	M3	170		K11	146		K11	146		M1	168
90022-888-010	G2	73	90451-ZE1-000	D10	33	91202-740-003	M2	169		I2	105	94050-06080	I5	108	95002-02100	J6	125
90028-634-000	L16	167	90456-ZE1-000	L2	153	91202-766-003	M3	170	93500-03006-1H	G6	77	94050-10000	D11	34	95002-40800-08	G6	77
90029-888-000	E2	41		L8	159	91202-805-610	L5	156		G8	79		L15	166	95002-41200-08	L15	166
90030-PC8-000	M2	169	90470-ZE1-000	L2	153	91202-883-005	D10	33	93500-03008-1G	H2	89		L16	167	95002-50000	J6	125
90043-ZB2-003	D4	27	90471-ZE1-610	L2	153		D16	39		G5	76	94101-04800	K13	148	95002-80000	D4	27
90043-ZE1-010	D4	27		L8	159		E3	42		G8	79		K16	151	95005-35130-10	E2	41
90043-ZE1-020	D4	27	90473-842-000	E5	44		L2	153	93500-03012-0H	H2	89	94101-06800	D11	34	95014-62100	L15	166
90047-ZE1-000	D4	27		E6	45		L7	158		K13	148	94103-05700	I10	113	95700-06055-00	L6	157
90050-ZE1-000	I9	112	90501-740-010	M4	171		M3	170		K16	151		I12	115	95700-08022-00	L6	157
	I12	115		M2	169				93500-04006-0H	K10	145		L5	156			

Address Page			Address Page			Address Page			Address Page			Address Page		
Part No.	No.	No.	Part No.	No.	No.	Part No.	No.	No.	Part No.	No.	No.	Part No.	No.	No.
95700-08032-00	E1	40	96100-62040-00	L7	158		H4	91						
95700-08032-08	L7	158	96100-62050-00	D10	33	99101-ZH7-0700	G6	77						
95700-08035-00	L7	158		E1	40		H4	91						
95701-06008-00	F9	64		E2	41		H8	95						
	F12	67		E3	42	99101-ZH7-0720	H8	95						
	G2	73		L3	154	99101-ZH7-0750	H8	95						
95701-06010-00	G2	73		L6	157	99101-ZH8-0620	G6	77						
	I5	108		M2	169		G8	79						
	K13	148	96100-62060-00	L6	157		H4	91						
	K16	151	96100-63050-00	L7	158	99101-ZH8-0650	G6	77						
95701-06012-00	D12	35					G8	79						
	E3	42	98000			99101-ZH8-0680	H4	91						
	I12	115					G6	77						
	I14	117	98079-54846	D4	27		G8	79						
95701-06016-00	I6	109	98079-54855	D4	27		H4	91						
	I15	118	98079-55841	D4	27	99101-ZH8-0700	G6	77						
95701-06020-00	H14	101	98079-55846	D4	27		H5	92						
	H16	103	98079-55854	D4	27		H8	95						
	I2	105	98079-55855	D5	28	99101-ZH8-0720	H8	95						
	I3	106	98079-56841	D5	28	99101-ZH8-0750	H8	95						
	I6	109		L15	166	99204-ZE0-0350	G6	77						
	J8	127	98079-56846	D6	29		H6	93						
95701-06025-00	I15	118	98079-56854	D5	28		H8	95						
	J5	124	98079-56855	D4	27		H9	96						
95701-06032-00	M1	168		D6	29	99204-ZE0-0380	G6	77						
95701-06040-00	M1	168	98200-30500	J16	135		G8	79						
95701-06055-00	L6	157		K13	148		H5	92						
95701-08012-00	M1	168		K16	151		H8	95						
95701-08016-00	M1	168	98200-31500	K13	148	99204-ZE0-0400	H5	92						
95701-08020-00	I15	118				99204-ZE2-0380	G6	77						
	M5	172	99000											
95701-08020-08	L15	166												
95701-08022-00	L6	157	99001-10120	L14	165									
95701-08030-00	M1	168	99001-10140	L14	165									
95701-08032-00	E1	40	99001-14170	L14	165									
	E2	41	99002-13500	L14	165									
	E3	42	99004-21001	L13	164									
95701-08032-08	L7	158	99004-21002	L13	164									
95701-08035-00	L7	158	99005-01000	L14	165									
	L8	159	99008-02000	L14	165									
95701-08045-00	M3	170	99008-02300	L14	165									
95701-08055-00	L8	159	99101-ZF5-0620	G8	79									
95701-08115-00	M3	170	99101-ZF5-0650	G8	79									
95701-10125-00	M1	168	99101-ZF5-0680	G6	77									
95701-10160-00	M1	168		G8	79									
95723-08060-00	D4	27		H2	89									
95801-06028-00	M5	172	99101-ZF5-0700	G6	77									
95801-08020-18	L15	166		H3	90									
95900-06012-00	I12	115		H8	95									
95900-06025-00	J5	124	99101-ZF5-0720	G6	77									
				H3	90									
96000				H8	95									
			99101-ZF5-0750	H3	90									
96100-60040-00	M2	169		H8	95									
96100-60050-00	L8	159		G6	77									
96100-62030-00	M2	169		H3	90									
	M3	170	99101-ZH7-0680	G6	77									

## PART NAME INDEX

Part name	Address No.	Page No.	Ref. No.	Part name	Address No.	Page No.	Ref. No.	Part name	Address No.	Page No.	Ref. No.	
( A )				BOLT-WASHER, 6X20.....	I2	105	13	BOLT, FLANGE, 8X20.....	I15	118	8	
ALERT UNIT, OIL.....	F13	68	1	BOLT, ALTERNATOR.....	L16	167	16		L15	166	4	
			2	BOLT, BREATHING.....	L7	158	6		M5	172	29	
	G2	73	23	BOLT, CONNECTING ROD.....	E15	54	5	BOLT, FLANGE, 8X22.....	L6	157	30	
	K13	148	28	BOLT, DRAIN PLUG.....	D9	32	12	BOLT, FLANGE, 8X30.....	M1	168	36	
	K14	149	1		L7	158	7	BOLT, FLANGE, 8X32.....	E1	40	11	
	K16	151	28	BOLT, DRAIN PLUG, 12MM.....	L5	156	25		E2	41	12	
ARM COMP., GOVERNOR.....	K3	138	4		L16	167	24		E3	42	9	
ARM COMP., L. SIDE CLUTCH.....	L16	167	12	BOLT, FLANGE, 10X125.....	M1	168	37		L7	158	10	
ARM COMP., R. SIDE CLUTCH.....	L16	167	11	BOLT, FLANGE, 10X160.....	M1	168	38	BOLT, FLANGE, 8X35.....	L7	158	11	
ARM, BRAKE.....	M4	171	10	BOLT, FLANGE, 5X10.....	J12	131	13		L8	159	11	
ARM, GOVERNOR.....	K3	138	4	BOLT, FLANGE, 6X10.....	G2	73	21	BOLT, FLANGE, 8X45.....	M3	170	12	
ARM, VALVE ROCKER.....	F1	56	3		I5	108	9	BOLT, FLANGE, 8X55.....	L8	159	12	
ARRESTER, SPARK.....	I8	111	6		K13	148	26	BOLT, FLANGE, 8X60.....	D4	27	14	
	I11	114	6	BOLT, FLANGE, 6X12.....	K16	151	25	BOLT, GOVERNOR ARM.....	K9	144	22	
	I14	117	7		D4	27	9	BOLT, HEX., 5/16".....	E4	43	13	
( B )					D12	35	22	BOLT, HEX., 5X28.....	M5	172	26	
BAG SET, TOOL.....	L13	164	5		E3	42	8	BOLT, HEX., 8X20.....	I14	117	10	
BAG, TOOL, 200MM.....	L14	165	17		G1	72	17		E4	43	13	
BAG, TOOL, 230MM.....	L14	165	17		I12	115	23		E5	44	13	
BAND.....	K12	147	11	BOLT, FLANGE, 6X13.....	I14	117	13		E6	45	2	
	K15	150	11		K9	144	21		L2	153	12	
BAND B1, WIRE.....	L15	166	3	BOLT, FLANGE, 6X14.....	L16	167	14	BOLT, HEX., 8X35.....	L5	156	24	
BAND, AIR CLEANER CONNECTING TUBE	I6	109	8	BOLT, FLANGE, 6X16.....	D3	26	9	BOLT, MUDGUARD.....	I3	106	16	
BAR A, HANDLE.....	L14	165	12		I12	115	13	BOLT, PIVOT.....	F3	58	14	
BARREL ASSY., CYLINDER.....	D7	30	2	BOLT, FLANGE, 6X14.....	E2	41	6	BOLT, SETTING.....	J15	134	31	
	D8	31	2	BOLT, FLANGE, 6X16.....	E2	41	7	BOLT, SPECIAL, 6X21.....	L16	167	15	
BASE COMP., CONTROL.....	K7	142	14		I6	109	12	BOLT, SPECIAL, 8MM.....	M2	169	14	
	K8	143	14	BOLT, FLANGE, 6X20.....	I15	118	6	BOLT, STUD, 10X32.....	L15	166	6	
BASE COMP., MUFFLER COVER.....	I9	112	11		G2	73	18	BOLT, STUD, 10X60.....	L15	166	7	
	I12	115	11		H14	101	14	BOLT, STUD, 6X109.....	D4	27	10	
BEARING, RADIAL BALL.....	D10	33	16	BOLT, FLANGE, 6X20.....	H16	103	11	BOLT, STUD, 6X112.....	D4	27	10	
BEARING, RADIAL BALL, 6004.....	M2	169	21		I2	105	13	BOLT, STUD, 6X94.....	D4	27	10	
BEARING, RADIAL BALL, 6005.....	L8	159	13	BOLT, FLANGE, 6X23.....	I3	106	19	BOLT, STUD, 8X32.....	D4	27	11	
BEARING, RADIAL BALL, 62/22.....	M3	170	7	BOLT, FLANGE, 6X25.....	I6	109	13	BOLT, WINKER SETTING.....	I5	108	7	
BEARING, RADIAL BALL, 6203.....	M2	169	22		J8	127	22	BOLT, 3X12.....	L15	166	2	
	M3	170	14	BOLT, FLANGE, 6X25.....	J12	131	12	BOSS, GUIDE.....	M3	170	3	
BEARING, RADIAL BALL, 6204.....	L7	158	12		G2	73	18	BOX ASSY., CONTROL.....	K12	147	3	
BEARING, RADIAL BALL, 6205.....	D10	33	16		I15	118	7		K14	149	3	
	E1	40	12	BOLT, FLANGE, 6X28.....	J5	124	40	BOX ASSY., CONTROL.....			4	
	E2	41	13		J12	131	14		RCM	K12	147	3
	E3	42	10	BOLT, FLANGE, 6X32.....	J15	134	32	BOX, TOOL.....	L13	164	1	
	L3	154	14		M1	168	32	BRACKET COMP., FR.....	J14	133	15	
	L6	157	31	BOLT, FLANGE, 6X40.....	M1	168	33	BRACKET, CASE MOUNTING.....	K12	147	5	
	M2	169	23	BOLT, FLANGE, 6X55.....	L6	157	29		K14	149	6	
BEARING, RADIAL BALL, 6206.....	L6	157	32	BOLT, FLANGE, 6X8.....	F9	64	13	BRACKET, MUFFLER.....	I14	117	14	
BEARING, RADIAL BALL, 6304.....	E1	40	14		F12	67	16	BUSH, CONTROL KNOB.....	L1	152	3	
BEARING, RADIAL BALL, 6305.....	L7	158	13		G2	73	20					
BODY, CLEANER.....	I1	104	4				21					
BODY, OIL CAP.....	M4	171	15				24	( C )				
BOLT-WASHER, 6X20.....	H14	101	14	BOLT, FLANGE, 8X115.....	M3	170	13	CABLE, DOUBLE CONNECTOR.....	G2	73	22	
	H16	103	11	BOLT, FLANGE, 8X12.....	M1	168	34		J12	131	11	
				BOLT, FLANGE, 8X16.....	M1	168	35					

Part name	Address No.	Page No.	Ref. No.	Part name	Address No.	Page No.	Ref. No.	Part name	Address No.	Page No.	Ref. No.
CAM, BRAKE	M4	171	8	CHOKE SET	H7	94	9	COLLAR, AIR CLEANER	16	109	5
CAMSHAFT ASSY.	F1	56	1		H9	96	1	COLLAR, AIR CLEANER CASE	I7	110	1
	F3	58	16	CIRCLIP, EXTERNAL, 22MM	M3	170	10		I11	114	1
CAP ASSY., NOISE SUPPRESSOR	J11	130	2	CIRCLIP, EXTERNAL, 25MM	M2	169	20	COLLAR, CONTROL BOX	J8	127	18
	J12	131	2	CIRCLIP, INTERNAL, 50MM	M3	170	11	COLLAR, STOPPER	K8	143	18
CAP ASSY., OIL FILLER	D14	37	4	CIRCLIP, INTERNAL, 52MM	M1	168	29	COLLAR, TANK CUSHION	J4	123	32
	D15	38	5	CIRCLIP, 10.2MM	J15	134	37	CONNECTOR, SUCTION PORT	M4	171	16
	E2	41	4	CIRCLIP, 5MM	G5	76	27	CONTROL ASSY.	K1	136	1
	E3	42	3		G8	79	28				2
CAP COMP., FUEL FILLER	J2	121	16		H2	89	31		K2	137	2
			17	CLAMP D, 19MM	K10	145	26				3
			18		M4	171	25		K4	139	8
	J7	126	7	CLAMP, CORD	F15	70	10		K5	140	8
			8	CLAMP, TUBE	G6	77	36	CORD, MAGNET SWITCH	J14	133	18
CAP, CLEANER	H16	103	7		L15	166	14	CORD, STOP SWITCH	G1	72	15
	I1	104	9	CLAMPER, CORD	F15	70	10	COUNTERSHAFT	M2	169	2
CAP, LENS	J14	133	27		J12	131	6	COUPLER COMP.	J14	133	17
CAP, MUFFLER	I11	114	5	CLEANER ASSY., AIR	I6	109	1	COVER ASSY., CHAIN CASE	L2	153	1
CAP, OIL	L16	167	8	CLIP, CORD	K13	148	19		L8	159	1
CAP, OIL FILLER	D15	38	6		K15	150	19	COVER ASSY., CRANKCASE	D13	36	1
CAP, PRE AIR CLEANER	I3	106	11	CLIP, DOUBLE	J6	125	46				2
CAP, REDUCTION OIL	L5	156	17	CLIP, GOVERNOR HOLDER	D10	33	15		E1	40	13
CARBURETOR ASSY.	G4	75	10	CLIP, HARNESS	F15	70	10		E2	41	1
	G7	78	9	CLIP, PISTON PIN, 18MM	E16	55	6		E3	42	1
	G12	83	11	CLIP, PURSE LOCK	G2	73	25	COVER COMP., AIR CLEANER	I6	109	4
	H7	94	10		K13	148	18	COVER COMP., FAN	F13	68	4
	H9	96	2		K15	150	18		F14	69	4
CASE B, STARTER	F9	64	14	CLIP, SUB CORD	F10	65	15				5
CASE COMP., AIR CLEANER	I5	108	3	CLIP, TUBE	D4	27	13				6
CASE COMP., FUSE	J14	133	23		E2	41	10	COVER COMP., GEAR	J13	132	4
CASE COMP., L. TRANSMISSION	L16	167	3		J5	124	39	COVER COMP., HEAD	D2	25	6
CASE COMP., RECOIL STARTER	F5	60	2		J6	125	50	COVER COMP., MUFFLER	I8	111	9
	F11	66	2				51		I11	114	9
CASE, CONTROL	K12	147	4		J8	127	21	COVER COMP., MUFFLER RR.	I9	112	10
	K14	149	5	CLIP, VALVE GUIDE	M1	168	31		I12	115	10
	L1	152	1	CLIP, WATER HOSE	D2	25	4	COVER, AIR CLEANER	H11	98	4
CASE, PRE AIR CLEANER	I3	106	10	COCK ASSY., FUEL	J6	125	47		H15	102	3
CASE, R. TRANSMISSION	L16	167	2		J7	126	3		I3	106	5
CASE, RECOIL STARTER SPRING	F12	67	10	COIL ASSY., CHARGE	J12	131	8				20
CASE, REDUCTION	L4	155	1				9	COVER, BEVEL	I5	108	4
	L7	158	1	COIL ASSY., IGNITION	J11	130	1	COVER, MAGNETIC SWITCH	M3	170	2
CASE, SIDE CLUTCH BEARING	M2	169	9	COIL ASSY., LAMP	J12	131	3	COVER, REDUCTION	L4	155	3
CENTER, CLUTCH	L4	155	5				4		L7	158	3
CENTER, CLUTCH WEIGHT	L4	155	13	COIL ASSY., LAMP & CHARGE	J12	131	5	COVER, SPRING	J14	133	13
CHAIN, DRIVE	L5	156	15	COLLAR B, AIR CLEANER	H12	99	8	COVER, STARTER MOTOR TERMINAL	J14	133	20
CHAIN, P.T.O. DRIVE	F3	58	17		H15	102	5	CRANKSHAFT COMP.	E4	43	1
	L2	153	3		I1	104	3				2
	L8	159	3		I3	106	8				3
CHAMBER SET, FLOAT	G3	74	5	COLLAR,	I6	109	6				4
	G7	78	5		M2	169	18				5
	G10	81	5				19				6
	H7	94	4	COLLAR, AIR CLEANER	H12	99	7				7
CHOKE KIT, REMOTE CONTROL	G3	74	1		H15	102	4				8
	G7	78	1		I1	104	2				9
	G9	80	1		I3	106	7				10
CHOKE SET	G4	75	9				106				11
	G12	83	10								



PART NAME INDEX

Part name	Address No.	Page No.	Ref. No.	Part name	Address No.	Page No.	Ref. No.	Part name	Address No.	Page No.	Ref. No.
CRANKSHAFT COMP.	E4	43	12	FLYWHEEL COMP.	J10	129	8	HANDLE, BOX WRENCH	L14	165	12
	E5	44	16					HARNASS ASSY., SUB WIRE	K12	147	8
	E6	45	1	FORK, SIDE CLUTCH	L16	167	9				
CUP, FUEL STRAINER	G8	79	27	FUSE, BLADE	J16	135	45		K16	151	27
	H2	89	30		K13	148	27	HEAD COMP., CYLINDER	D1	24	1
	J1	120	11		K16	151	26	HOLDER, CABLE	G5	76	22
	J7	126	2						G8	79	22
									G16	87	24
[ D ]				[ G ]					K6	141	12
DEFLECTOR COMP.	I8	111	5	GASKET KIT	M6	173		HOLDER, CLUTCH SPRING	L4	155	10
DEFLECTOR, MUFFLER	I8	111	8	GASKET SET	G3	74	2	HOLDER, CLUTCH WEIGHT	L4	155	12
	I11	114	8		G7	78	2	HOLDER, CONTROL CABLE	G5	76	17
DISK, CLUTCH FRICTION	L4	155	6		G9	80	2		G7	78	17
DRUM COMP., BRAKE	M4	171	9	GASKET, CYLINDER HEAD	H7	94	1	HOLDER, FUEL FILTER	G15	86	19
					D2	25	5		J3	122	25
[ E ]				GASKET, MUFFLER	M7	174	2	HOLDER, HARNESS	J7	126	13
ELBOW COMP., AIR CLEANER	H12	99	9		I8	111	7	HOLDER, LENS	J15	134	38
	H15	102	6		I11	114	7	HOLDER, WIRE	J14	133	29
	I1	104	8		I13	116	2		K8	143	17
	I3	106	9		I14	117	8				
	I6	109	9					[ I ]			
ELEMENT COMP., AIR CLEANER	I6	109	2	GAUGE ASSY., FUEL	I15	118	3	INSULATOR, CARBURETOR	G4	75	13
ELEMENT, AIR CLEANER	H10	97	2	GAUGE ASSY., THICKNESS	M8	175	6		G7	78	13
	H15	102	1	GAUGE, OIL LEVEL	J1	120	13		G14	85	15
	I1	104	6	GEAR ASSY.	L5	156	18		H8	95	13
	I3	106	2	GEAR, COUNTERSHAFT	J14	133	14		H9	96	4
	I5	108	1	GEAR, DRIVEN	M2	169	6				
EMBLEM	L9	160	6	GEAR, DRIVEN BEVEL	M2	169	7	[ J ]			
	L10	161	6	GEAR, FINAL	M2	169	10	JET SET, PILOT, #35	G6	77	33
EMBLEM, UPPER	L10	161	11	GEAR, INPUT SHAFT CHANGE	M2	169	5		H6	93	37
END, LOCK	K8	143	19	GEAR, SIDE CLUTCH	M2	169	8		H8	95	20
				GEAR, SIDE CLUTCH DRIVE	M2	169	4		H9	96	11
				GOVERNOR ASSY.	D8	31	4	JET SET, PILOT, #38	G6	77	33
[ F ]					D9	32	4		G8	79	34
FAN, COOLING	J9	128	2	GRID, AIR CLEANER	H15	102	2		H5	92	37
FAN, TRANSMISSION COOLING	M4	171	4		I1	104	7	JET SET, PILOT, #40	H8	95	20
FILTER COMP., FUEL	J3	122	22	GRIP	L13	164	7	JET, MAIN, #62	H5	92	37
	J7	126	11	GRIP, STARTER	F8	63	9		G6	77	32
				GROMMET, AIR CLEANER	H12	99	5		G8	79	33
					I3	106	6	JET, MAIN, #65	H4	91	36
FILTER, CUP	J1	120	10	GROMMET, CORD	J12	131	7		G6	77	32
FILTER, FUEL	J3	122	23	GROMMET, DRAIN HOLE	G1	72	16		G8	79	33
				GUARD, MISSION	L16	167	7	JET, MAIN, #68	H3	90	36
				GUIDE, EX. VALVE	D1	24	3		H4	91	36
				GUIDE, IN. VALVE	D1	24	2		G6	77	32
FILTER, OUTER	J7	126	12	GUIDE, MUFFLER	I9	112	13		G8	79	33
	H11	98	3	GUIDE, PRE AIR CLEANER	I3	106	12		H2	89	36
	I3	106	3	GUIDE, RATCHET	F6	61	5	JET, MAIN, #70	H4	91	36
	I6	109	3		F11	66	9		G6	77	32
FLOAT SET	G3	74	4	[ H ]					H3	90	36
	G7	78	4	H.S.T. ASSY.	M3	170	1		H4	91	36
	G10	81	4						H5	92	36
	H7	94	3						H8	95	19
FLYWHEEL COMP.	J9	128	6								
	J10	129	7								

PART NAME INDEX

Part name	Address No.	Page No.	Ref. No.	Part name	Address No.	Page No.	Ref. No.	Part name	Address No.	Page No.	Ref. No.
JET, MAIN, #72	G6	77	32	[ M ]				NUT, AIR CLEANER COVER	H13	100	11
	H3	90	36	MARK, AIR CLEANER	L12	163	21		H16	103	9
JET, MAIN, #75	H8	95	19	MARK, AIR CLEANER CAUTION	L10	161	10		I2	105	11
	H3	90	36	MARK, AIR CLEANER SALES POINT	L12	163	23	NUT, CAP, 6MM	I3	106	15
	H8	95	19	MARK, CAUTION	L10	161	7		H12	99	10
JOINT, BREATHER	L16	167	1						H16	103	8
JOINT, DRAIN	L15	166	11						I2	105	10
JOINT, FUEL	I16	119	4						I3	106	14
JOINT, FUEL TANK	I16	119	8	MARK, CHOKE	L10	161	12	NUT, CASTLE, 10MM	M4	171	18
								NUT, FLANGE, 10MM	D11	34	19
[ K ]									L15	166	8
KEY COMP.	J14	133	22		L11	162	13	NUT, FLANGE, 5MM	L16	167	25
	K12	147	13	MARK, COCK					M5	172	27
	K15	150	13	MARK, CONTROL BOX	L11	162	14	NUT, FLANGE, 6MM	H14	101	15
KEY, SPECIAL WOODRUFF, 25X18	J9	128	1	MARK, EMBLEM	K13	148	16		I2	105	14
KEY, 4.78X4.78X38	E5	44	15	MARK, EMERGENCY SWITCH	K15	150	16		I3	106	18
KEY, 5MM	L5	156	20	INDICATION	L9	160	2		I4	107	2
KEY, 5X5X21	M4	171	21	MARK, ENGINE SWITCH	L9	160	4		I5	108	8
KEY, 5X5X33	E5	44	15	MARK, EX. CAUTION	L12	163	19		I6	109	11
	E6	45	4		L12	163	24		I14	117	12
	L2	153	10						I15	118	5
KEY, 7X7X33	L5	156	21	MARK, FIRE DANGER					J4	123	34
KNOB, COCK LEVER	L1	152	2	MARK, FUEL	L12	163	31	NUT, HEX., 4MM	K11	146	29
KNOB, RECOIL STARTER	F12	67	14	MARK, FUEL CAUTION	L12	163	28		K13	148	24
				MARK, OIL ALERT	L10	161	7		K16	151	24
[ L ]					L9	160	5	NUT, HEX., 5MM	I10	113	20
LABEL, AIR CLEANER CAUTION	L12	163	22		L11	162	18		I12	115	19
LABEL, CAUTION	L9	160	3		L12	163	18	NUT, HEX., 8MM	I10	113	22
LABEL, FUEL CAUTION	L12	163	29	MARK, OIL CAUTION					I12	115	21
LABEL, FUEL WARNING	L10	161	7	MARK, THROTTLE INDICATION	L12	163	30		I13	116	3
LABEL, IGNITION NOISE	L9	160	1	MARK, TOP	L9	160	3		I14	117	11
LABEL, SPECIFICATION	L11	162	17	METER ASSY., FUEL	L10	161	11	NUT, PIVOT ADJUSTING	I15	118	4
LENS	J14	133	26		J1	120	13	NUT, SELF-LOCK, 6MM	F3	58	15
LENS ASSY., PROTECTOR	J14	133	25	MOTOR ONLY	J7	126	5	NUT, SPECIAL, 14MM	K10	145	24
	K13	148	15	MOTOR UNIT, STARTER	J14	133	9	NUT, TOOL BOX SETTING	J10	129	10
	K15	150	15	MUFFLER COMP.	J13	132	3		H13	100	12
LEVER COMP., CHOKE	G5	76	19		I7	110	2		H14	101	13
					I11	114	2		H16	103	10
	G8	79	19		I13	116	1	NUT, WING, 6MM	I2	105	12
					I14	117	1		I3	106	17
	G16	87	21		I15	118	1		H13	100	11
									H16	103	9
	H8	95	17	[ N ]					I2	105	11
LEVER, COCK	H9	96	8	NOSE, SILENCER	H12	99	6		I3	106	15
	G5	76	23	NOZZLE, MAIN	G4	75	12				
	G8	79	23		G7	78	11	O-RING	I16	119	9
	G16	87	26		G13	84	13		J13	132	2
LEVER, CONTROL	K5	140	9		G14	85	13	O-RING, 100X2	J16	135	39
	K6	141	9		H7	94	12		M4	171	24
LIFTER, VALVE	F2	57	4		H8	95	12	O-RING, 14MM	D10	33	18
					F12	67	13		J4	123	31
				NUT	J15	134	33	O-RING, 15.8X2.4	E2	41	8
				NUT-WASHER, 6MM				O-RING, 16MM	L16	167	23

Part name	Address No.	Page No.	Ref. No.	Part name	Address No.	Page No.	Ref. No.	Part name	Address No.	Page No.	Ref. No.
O-RING, 19.4X2.3	M4	171	23	PACKING, INSULATOR	G7	78	14	PLATE, FUEL INDICATION	L12	163	27
O-RING, 26X2.7	L5	156	23		G14	85	16	PLATE, GUARD	E3	42	5
O-RING, 42.5X3	M3	170	8		H8	95	14	PLATE, L. SIDE CLUTCH	L16	167	6
O-RING, 64X2	M3	170	9		H9	96	5	PLATE, LEVER SETTING	G5	76	24
OIL SEAL	L5	156	22		M8	175	4		G8	79	24
	L16	167	22	PACKING, OIL FILLER CAP	D16	39	7		G16	87	27
OIL SEAL, 12X25X7	M3	170	17				8	PLATE, PRE AIR CLEANER	I3	106	13
OIL SEAL, 15X24X7	M3	170	15		E2	41	5	PLATE, PUSH ROD GUIDE	F3	58	13
OIL SEAL, 15X35X7	M3	170	16		E3	42	4	PLATE, R. SIDE CLUTCH	L16	167	5
OIL SEAL, 20X31X7	M2	169	17	PACKING, REDUCTION CASE	L4	155	2	PLATE, SIDE	F14	69	7
OIL SEAL, 25X38X7	L8	159	8		L7	158	2		F15	70	9
OIL SEAL, 25X41X6	D10	33	17	PACKING, REDUCTION COVER	L4	155	4	PLIERS, 135	L14	165	16
	D16	39	9		L7	158	4	PLUG, SEALING, 28	M2	169	16
	E3	42	6	PACKING, TRANSMISSION CASE	L16	167	4	PLUG, SPARK	D4	27	15
	L2	153	11	PAN, CLEANER OIL	I1	104	5		D5	28	15
	L7	158	8	PANEL ASSY., BRAKE	M4	171	6		D6	29	15
				PANEL COMP., BRAKE	M4	171	5		L15	166	5
				PANEL COMP., CONTROL	K12	147	6	PROTECTOR, CIRCUIT	J14	133	24
					K14	149	7		K12	147	14
				PANEL, CONTROL BOX	K13	148	16		K15	150	14
					K15	150	16	PROTECTOR, LOWER	I8	111	4
				PIECE A, STOPPER	J14	133	10	PROTECTOR, MUFFLER	I8	111	3
				PIECE B, STOPPER	J14	133	11		I11	114	4
				PIN, AUXILIARY CHANGE LEVER	L16	167	20	PROTECTOR, MUFFLER INNER	I14	117	3
				PIN, DOWEL, 10X16	D4	27	12	PROTECTOR, MUFFLER OUTER	I11	114	4
				PIN, DOWEL, 8X10	J16	135	44		I14	117	2
					L6	157	28	PROTECTOR, OIL TUBE	M4	171	2
				PIN, DOWEL, 8X14	D16	39	10	PROTECTOR, UPPER	I7	110	3
					E2	41	9		I8	111	3
					E3	42	7	PULLEY COMP., STARTER	J9	128	3
					L3	154	13	PULLEY, DRIVE	M4	171	3
					L8	159	10	PULLEY, RECOIL STARTER	F11	66	3
					M1	168	28	PULLEY, STARTER	J9	128	4
				PIN, FORK	L16	167	10				5
				PIN, LOCK, 8MM	D11	34	21				
					J4	123	35				
				PIN, PISTON	E14	53	3				
				PIN, SPLIT, 2.0X12	M1	168	27				
				PIN, SPLIT, 2.0X20	M5	172	28				
				PIN, SPRING, 2X12	G6	77	31				
					G8	79	32				
					H2	89	35	RATCHET, STARTER	F6	61	4
					H8	95	18		F11	66	4
					H9	96	10	RECTIFIER ASSY., REGULATOR	K12	147	2
				PIN, STARTER RATCHET	F11	66	5	RECTIFIER ASSY., SILICON	J14	133	16
				PINION ASSY.	J13	132	5		K12	147	7
				PINION, BEVEL	M3	170	5		K14	149	8
				PIPE COMP., AIR INTAKE	I4	107	1	RECTIFIER COMP., REGULATOR	K12	147	1
				PIPE COMP., EX.	I14	117	5		K14	149	2
				PISTON	E13	52	2	REEL, RECOIL STARTER	F6	61	3
					E14	53	2	RETAINER, EX. VALVE SPRING	F3	58	11
					F2	57	5	RETAINER, IN. VALVE SPRING	F3	58	10
				PIVOT, ROCKER ARM	L4	155	8				11
				PLATE COMP., CLUTCH PRESSURE	F15	70	7	RING SET, PISTON	E7	46	1
				PLATE COMP., SIDE	M4	171	13		E8	47	1
				PLATE, BRAKE ARM SPRING	L4	155	7		E9	48	1
				PLATE, CLUTCH	F11	66	6		E10	49	1
									E11	50	1
									E12	51	1
									E13	52	1

[ P ]

[ R ]

Part name	Address No.	Page No.	Ref. No.	Part name	Address No.	Page No.	Ref. No.	Part name	Address No.	Page No.	Ref. No.
RING, SEAL	L15	166	10	SCREW, PAN, 3X6	G6	77	28	SHAFT, P.T.O.	L8	159	5
ROD ASSY., CONNECTING	E14	53	4		G8	79	29	SHAFT, SCREW DRIVER	L13	164	6
	E15	54	4		H2	89	32	SHAFT, SIDE CLUTCH	M2	169	3
ROD COMP., THROTTLE	G16	87	25	SCREW, PAN, 3X8	G5	76	28	SHAFT, SIDE CLUTCH ARM	L16	167	13
ROD, GOVERNOR	K4	139	5		G8	79	29	SHAFT, SUB	F12	67	12
ROD, PUSH	F1	56	2		H2	89	32	SHAFT, WHEEL	M2	169	13
ROPE, RECOIL STARTER	F8	63	10	SCREW, PAN, 4X12	K13	148	23	SHOE COMP., BRAKE	M4	171	7
					K16	151	23	SHROUD ASSY., UPPER	F16	71	12
	F12	67	15	SCREW, PAN, 4X20	I6	109	10	SHROUD COMP.	F16	71	11
ROTATOR, VALVE	F3	58	12	SCREW, PAN, 4X6	K10	145	27	SHROUD COMP., LOWER	F16	71	11
ROTOR ASSY.	J14	133	8	SCREW, PAN, 4X8	G6	77	29	SLIDER, GOVERNOR	D9	32	8
RUBBER, CONTROL BOX	J8	127	16		G8	79	30	SPACER COMP., CARBURETOR	G4	75	15
RUBBER, FR. BOTTOM	D9	32	10		H2	89	33		G7	78	15
RUBBER, FUEL	J3	122	30	SCREW, PAN, 5X16	K11	146	28		G14	85	17
	J8	127	17	SCREW, PAN, 5X20	K10	145	25	SPACER, CONTROL LEVER	H9	96	6
RUBBER, RR. BOTTOM	D9	32	11	SCREW, PAN, 5X25	K10	145	25		K6	141	13
RUBBER, SUPPORTER	G6	77	34	SCREW, PAN, 5X32	K10	145	25	SPACER, MUFFLER COVER	I9	112	12
	I16	119	2	SCREW, PAN, 5X35	G2	73	19		I12	115	12
	J6	125	43		K10	145	25	SPACER, 20MM	L2	153	8
RUBBER, TANK CUSHION	J3	122	26	SCREW, PAN, 5X40	G2	73	19	SPANNER, 10X12	L14	165	13
					K10	145	25	SPANNER, 10X14	L14	165	14
					G6	77	30	SPANNER, 14X17	L14	165	15
RUBBER, TANK MOUNTING	J7	126	14	SCREW, PAN, 5X8	G8	79	31	SPRING, BRAKE ARM	M4	171	11
					H2	89	34	SPRING, BRAKE SHOE	M4	171	12
					K9	144	23	SPRING, CABLE RETURN	K8	143	16
( S )				SCREW, RECESSED, 5X25	F9	64	12	SPRING, CLUTCH FREE	L4	155	9
SCREEN SET	I16	119	6	SCREW, SPECIAL, 6X12	K13	148	17	SPRING, COCK LEVER	G5	76	25
	J7	126	4		K15	150	17		G8	79	25
SCREEN, FUEL STRAINER	I16	119	5	SCREW, TAPPING, 4X6	I10	113	17		H1	88	28
SCREW SET	G4	75	8					SPRING, COIL	J14	133	28
	G6	77	37					SPRING, CONTROL ADJUSTING	F13	68	3
	G7	78	8						K8	143	15
	G10	81	7					SPRING, FRICTION	F7	62	6
	G11	82	9	SCREW, TAPPING, 4X8	I10	113	18		F11	66	7
	H7	94	6	SCREW, TAPPING, 5X25	I10	113	16	SPRING, GOVERNOR	K4	139	6
					I12	115	16		L15	166	15
SCREW SET, DRAIN	G3	74	7	SCREW, TAPPING, 5X8	I9	112	14	SPRING, LEVER	K6	141	10
	G7	78	7					SPRING, RECOIL STARTER	F7	62	7
	G11	82	8						F11	66	8
	H7	94	7					SPRING, RETURN	F8	63	8
SCREW SET, PILOT	G3	74	6						G5	76	21
	G7	78	6	SCREW, THROTTLE STOP	G4	75	11		G8	79	21
	G10	81	6		G7	78	10	SPRING, SIDE CLUTCH	J14	133	12
	H7	94	5		G13	84	12	SPRING, THROTTLE RETURN	M2	169	11
SCREW-WASHER, 5X14	J16	135	42		H7	94	11	SPRING, THRUST	L2	153	7
SCREW-WASHER, 5X16	K10	145	28	SEAL, AIR CLEANER	I5	108	6		L8	159	6
SCREW-WASHER, 5X20	J16	135	43	SEAL, BRAKE CAM	M4	171	22	SPRING, VALVE	F3	58	9
SCREW-WASHER, 5X30	J15	134	34	SEAL, MUFFLER PROTECTOR	I14	117	4	SPRING, WEIGHT RETURN	F2	57	6
SCREW-WASHER, 5X8	J14	133	30	SEPARATOR, AIR CLEANER	I5	108	2	SPROCKET COMP., DRIVE	L5	156	14
SCREW-WASHER, 6X20	I10	113	21	SHAFT COMP., P.T.O.	L5	156	16	SPROCKET, DRIVE	L2	153	4
	I12	115	20	SHAFT UNIT, GEAR	J13	132	6		L8	159	4
SCREW-WASHER, 6X40	L1	152	5	SHAFT, GOVERNOR ARM	D9	32	9	STARTER ASSY., RECOIL	F4	59	1
SCREW, FLAT, 5X10	J4	123	33	SHAFT, INPUT	M2	169	1		F5	60	1
	J8	127	19	SHAFT, JOINT	M3	170	4		F11	66	1
SCREW, LOCK PAN	K10	145	25	SHAFT, P.T.O.	L2	153	5	STAY COMP., MUFFLER	I15	118	2
SCREW, PAN, 3X12	K13	148	22		L7	158	5				
	K16	151	22								

Part name	Address No.	Page No.	Ref. No.	Part name	Address No.	Page No.	Ref. No.	Part name	Address No.	Page No.	Ref. No.
STAY, AIR CLEANER.....	I5	108	5	TUBE, FUEL, 4.5X95.....	J8	127	20	WRENCH COMP., SPARK PLUG.....	L13	164	11
STAY, CHOKE CONTROL.....	G5	76	18	TUBE, OIL.....	M4	171	1	WRENCH, BOX.....	L13	164	10
	G8	79	18	TUBE, 3.5X130.....	E2	41	11	WRENCH, PLUG.....	L13	164	11
	G15	86	20								
STAY, MUFFLER.....	I11	114	3	[ V ]				[ Y ]			
	I14	117	6	VALVE SET, FLOAT.....	G3	74	3	YOKE ASSY.....	J13	132	7
STRAINER COMP., FUEL.....	J6	125	44		G7	78	3				
			45		G9	80	3				
STRAINER, FUEL.....	I16	119	7		H7	94	2				
STRAP, WIRE HARNESS, 25MM.....	K13	148	20	VALVE, DASHPOT CHECK.....	H9	96	9				
	K15	150	20	VALVE, EX.....	F3	58	8				
SUB HARNESS.....	F16	71	13	VALVE, IN.....	F2	57	7				
	K15	150	10								
SUSPENSION, COUPLER.....	K12	147	10	[ W ]							
	K14	149	9	WASHER, AIR DUCT.....	J3	122	28				
SWITCH ASSY., COMBINATION.....	J14	133	21		J7	126	15				
	K12	147	12	WASHER, BEVEL GEAR.....	M3	170	6				
	K15	150	12	WASHER, CLUTCH SPRING.....	M2	169	15				
SWITCH ASSY., ENGINE.....	L1	152	4	WASHER, CONICAL SPRING, 6MM.....	L16	167	18				
SWITCH ASSY., ENGINE STOP.....	F16	71	14	WASHER, CONTROL LEVER.....	K6	141	11				
	L15	166	1	WASHER, DRAIN PLUG, 10.2MM.....	D10	33	14				
SWITCH ASSY., OIL LEVEL.....	D8	31	3		L15	166	13				
SWITCH ASSY., STARTER MAGNETIC.....	J13	132	1	WASHER, DRAIN PLUG, 12MM.....	L5	156	26				
SWITCH COMP., STARTING MAGNET.....	J13	132	1		L7	158	9				
					M1	168	26				
[ T ]				WASHER, PINION.....	J15	134	36				
TANK ASSY., FUEL.....	J1	120	12	WASHER, PLAIN, 4MM.....	K13	148	29				
TANK ASSY., OIL.....	E2	41	3		K16	151	29				
	M4	171	14	WASHER, PLAIN, 5MM.....	I10	113	23				
TANK COMP., FUEL.....	J1	120	14		I12	115	22				
			15	WASHER, PLAIN, 6MM.....	D11	34	20				
	J7	126	6	WASHER, SEALING, 8MM.....	L16	167	19				
TERMINAL ASSY., HIGH TENSION.....	J12	131	2	WASHER, SPECIAL.....	J16	135	40				
TOOL KIT.....	L13	164	2	WASHER, SPRING.....	J16	135	41				
	L14	165	18	WASHER, SPRING, 4MM.....	K13	148	25				
TUBE.....	J5	124	42				30				
TUBE A, AIR VENT.....	J5	124	41	WASHER, SPRING, 8MM.....	L6	157	27				
TUBE, AIR CLEANER CONNECTING.....	I6	109	7	WASHER, STARTER.....	F12	67	11				
TUBE, BREATHER.....	D3	26	8	WASHER, TANK CUSHION.....	J3	122	27				
TUBE, DRAIN.....	L15	166	12	WASHER, THRUST, 20MM.....	L5	156	19				
TUBE, FASTENER, 30MM.....	K13	148	21	WASHER, THRUST, 6MM.....	D10	33	13				
	K16	151	21	WASHER, 10.5MM.....	M4	171	20				
TUBE, FUEL, 4.5X110.....	J6	125	49	WASHER, 10MM.....	L16	167	17				
TUBE, FUEL, 4.5X140.....	J4	123	37	WASHER, 8MM.....	E5	44	14				
TUBE, FUEL, 4.5X150.....	J8	127	20		E6	45	3				
	M1	168	30	WATER SEAL, 25X52X9.5.....	L2	153	9				
	J4	123	38	WEIGHT, CLUTCH.....	L8	159	7				
TUBE, FUEL, 4.5X25.....	J4	123	36	WIRE, LOCK.....	M4	171	19				
TUBE, FUEL, 4.5X250.....	J8	127	20		L16	167	21				
TUBE, FUEL, 4.5X260.....	J8	127	20		L4	155	11				
TUBE, FUEL, 4.5X300.....	J4	123	37		K8	143	20				
TUBE, FUEL, 4.5X35.....	J6	125	48								
TUBE, FUEL, 4.5X350.....	J4	123	37								
TUBE, FUEL, 4.5X400.....	G6	77	35								
TUBE, FUEL, 4.5X430.....	J4	123	37								